

## Specifications



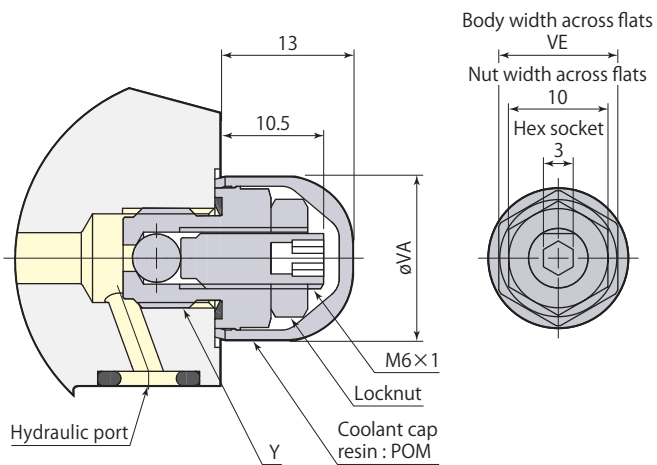
G port size

**01** : G1/8**02** : G1/4

VCE

Model	VCE01	VCE02
G port size	G1/8	G1/4
Recommended tightening torque N-m	10	30
Mass kg	0.017	0.029
Pressure range MPa	0-50	
Operating temperature °C	0-70	
Fluid used	General mineral based hydraulic oil (ISO-VG32 equivalent)	

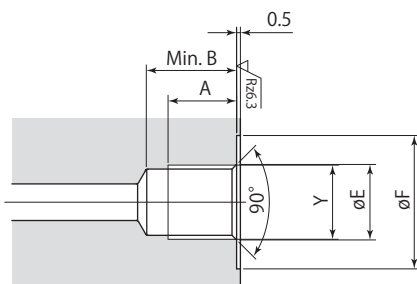
## Dimensions



Model	VCE01	VCE02
A	9	13
B	10	14
$\phi E$	9.9	13.3
$\phi F$	17.5	21.5
Y	G1/8	G1/4
$\phi VA$	16	21
VE	12	17

- Use a closed wrench or socket wrench for mounting and dismounting.
- Air bleeding valve can be mounted on hydraulic port (G port) when manifold piping.

## Mounting details



Rz: ISO4287(1997)

## Applicable clamp and work support

Model	VCE01	VCE02
Swing clamp (double acting)	CTK04U, 06U, 10U CTK04B, 06B, 10B    CTW06, 10	CTK16U CTK16B    CTW16, 25
Swing clamp (single acting)	CTV06, 10	CTV16, 25
Link clamp (double acting)	CLW04, 06, 10	CLW16, 25
Link clamp (single acting)	CLV06, 10	CLV16, 25
Work support	CSP-M-N (CSW, CSV)	-