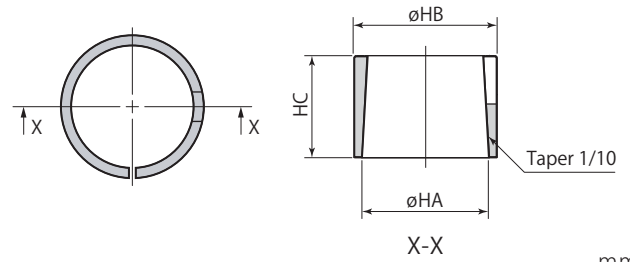


### Taper sleeve

Size

01
02
04
06
10
16
25

**CTH** — **TS** : Taper sleeve

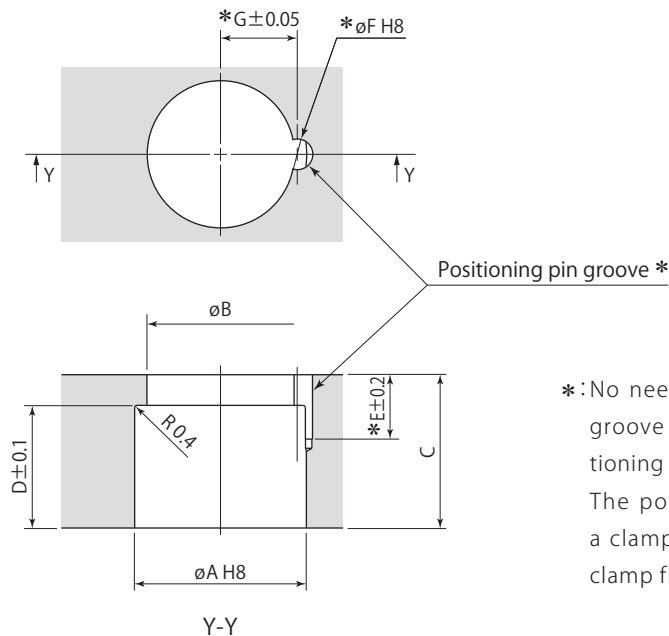


Taper sleeve	CTH01-TS	CTH02-TS	CTH04-TS	CTH06-TS	CTH10-TS	CTH16-TS	CTH25-TS
Applicable swing clamp	CTT01	CTT02	CTT04	CTT06	CTT10	CTT16	CTT25
øHA	14	18	22.4	25	30	35.5	45
øHB	16	20	25	28	34	40	49
HC	13	16	21	20	22	29	38

### Clamp arm mounting details

(Using taper sleeve)

Clamp arm is not included. Manufacture a clamp arm with the dimensions shown in the table below.



\*: No need to machine the pin groove (E, øF, G) unless positioning pin is used for the arm. The positioning pin enables a clamp arm to locate on the clamp firmly and easily.

Taper sleeve	CTH01-TS	CTH02-TS	CTH04-TS	CTH06-TS	CTH10-TS	CTH16-TS	CTH25-TS
Applicable swing clamp	CTT01	CTT02	CTT04	CTT06	CTT10	CTT16	CTT25
øA	16 <sup>+0.027</sup> <sub>0</sub>	20 <sup>+0.033</sup> <sub>0</sub>	25 <sup>+0.033</sup> <sub>0</sub>	28 <sup>+0.033</sup> <sub>0</sub>	34 <sup>+0.039</sup> <sub>0</sub>	40 <sup>+0.039</sup> <sub>0</sub>	49 <sup>+0.039</sup> <sub>0</sub>
øB	13	17	21	24	28.5	34	42
C	16	20	25	25	27	35	45
D	13	16	21	20	22	29	38
E	9	10.5	10.5	10.5	12.5	12.5	14.5
øF (pin groove diameter)	3 <sup>+0.014</sup> <sub>0</sub>	4 <sup>+0.018</sup> <sub>0</sub>	4 <sup>+0.018</sup> <sub>0</sub>	5 <sup>+0.018</sup> <sub>0</sub>	6 <sup>+0.018</sup> <sub>0</sub>	6 <sup>+0.018</sup> <sub>0</sub>	6 <sup>+0.018</sup> <sub>0</sub>
G	7.55	9.1	11.1	12.6	15.1	18.1	22.6