

Taper sleeve

Size

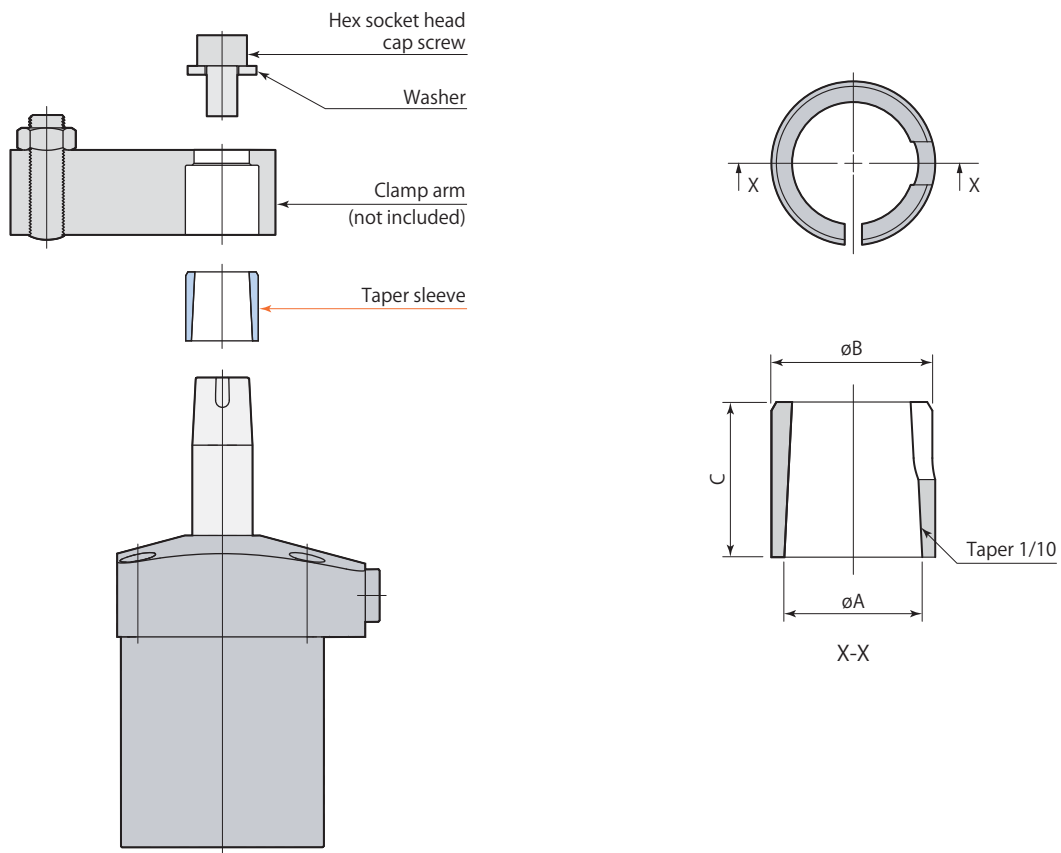
32

40

50

63

CTH — XS : Taper sleeve



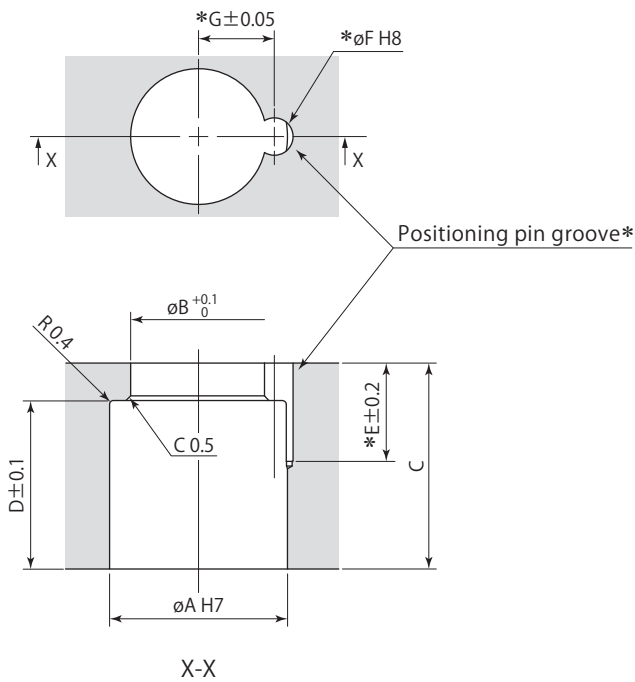
Taper sleeve	CTH32-XS	CTH40-XS	CTH50-XS	CTH63-XS
Applicable swing clamp	CTX32	CTX40	CTX50	CTX63
øA	14	16	20	25
øB	17	19	24	29
C	14	18	22	26

mm

Clamp arm mounting details

(Using taper sleeve)

Clamp arm is not included. Manufacture a clamp arm with the dimensions shown in the table below.



\* :No need to machine the pin groove (E,  $\phi F$ , G) unless positioning pin is used for the arm.  
The positioning pin enables a clamp arm to locate on the clamp firmly and easily.

Taper sleeve	CTH32-XS	CTH40-XS	CTH50-XS	CTH63-XS
Applicable swing clamp	CTX32	CTX40	CTX50	CTX63
$\phi A$	17 $^{+0.018}_0$	19 $^{+0.021}_0$	24 $^{+0.021}_0$	29 $^{+0.021}_0$
$\phi B$	13	14.5	18.5	23
C	19	22	27	32
D	14	18	22	26
E	10.5	10.5	12.5	12.5
$\phi F$ (pin groove diameter)	4 $^{+0.018}_0$	4 $^{+0.018}_0$	5 $^{+0.018}_0$	5 $^{+0.018}_0$
G	7.1	8.1	10.1	12.6

mm