

Taper sleeve

Size

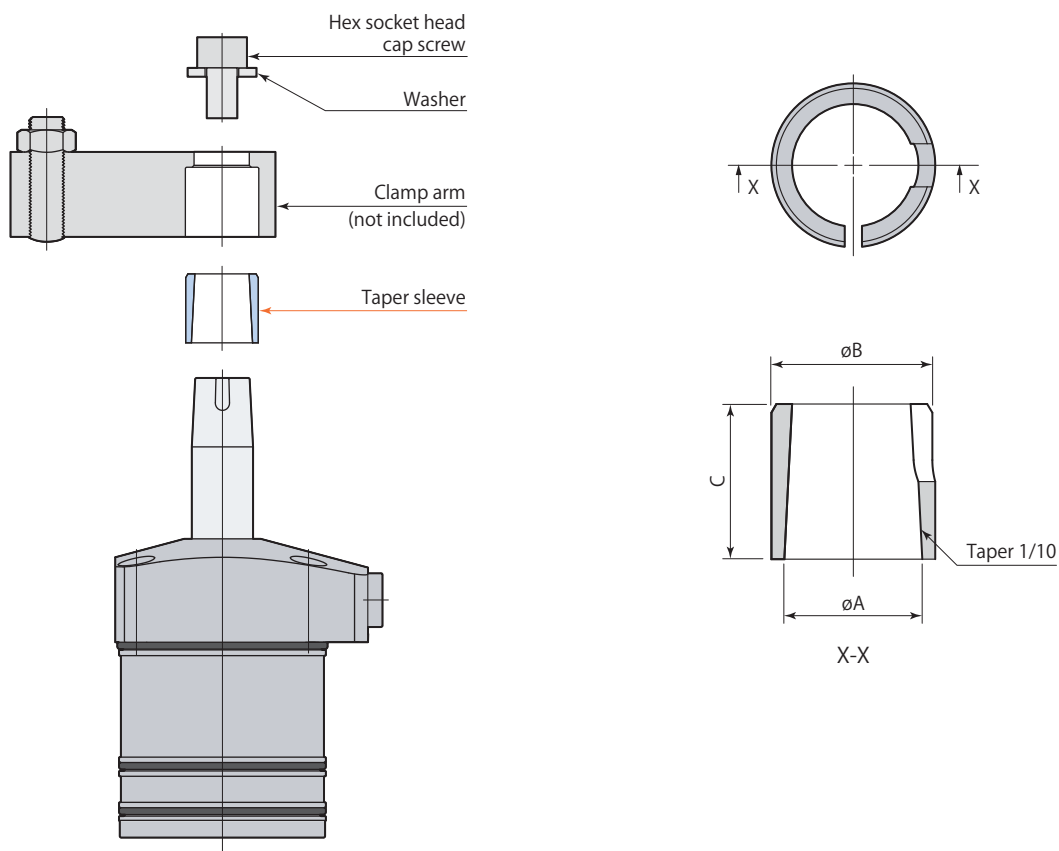
32

40

50

63

CTH — XS : Taper sleeve



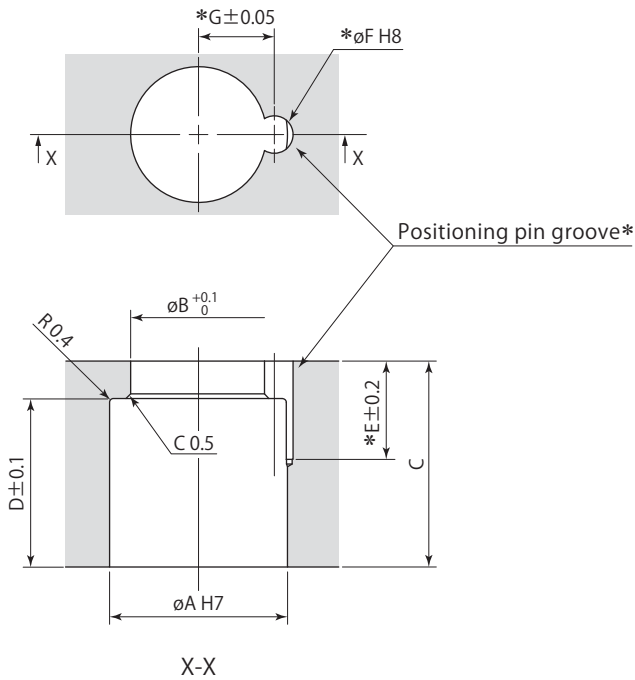
mm

Taper sleeve	CTH32-XS	CTH40-XS	CTH50-XS	CTH63-XS
Applicable swing clamp	CTX32-□T	CTX40-□T	CTX50-□T	CTX63-□T
$\phi A$	14	16	20	25
$\phi B$	17	19	24	29
C	14	18	22	26

Clamp arm mounting details

(Using taper sleeve)

Clamp arm is not included. Manufacture a clamp arm with the dimensions shown in the table below.



\* :No need to machine the pin groove (E,  $\phi F$ , G) unless positioning pin is used for the arm.  
The positioning pin enables a clamp arm to locate on the clamp firmly and easily.

Taper sleeve	CTH32-XS	CTH40-XS	CTH50-XS	CTH63-XS
Applicable swing clamp	CTX32-□T	CTX40-□T	CTX50-□T	CTX63-□T
$\phi A$	17 <sup>+0.018</sup> <sub>0</sub>	19 <sup>+0.021</sup> <sub>0</sub>	24 <sup>+0.021</sup> <sub>0</sub>	29 <sup>+0.021</sup> <sub>0</sub>
$\phi B$	13	14.5	18.5	23
C	19	22	27	32
D	14	18	22	26
E	10.5	10.5	12.5	12.5
$\phi F$ (pin groove diameter)	4 <sup>+0.018</sup> <sub>0</sub>	4 <sup>+0.018</sup> <sub>0</sub>	5 <sup>+0.018</sup> <sub>0</sub>	5 <sup>+0.018</sup> <sub>0</sub>
G	7.1	8.1	10.1	12.6

mm