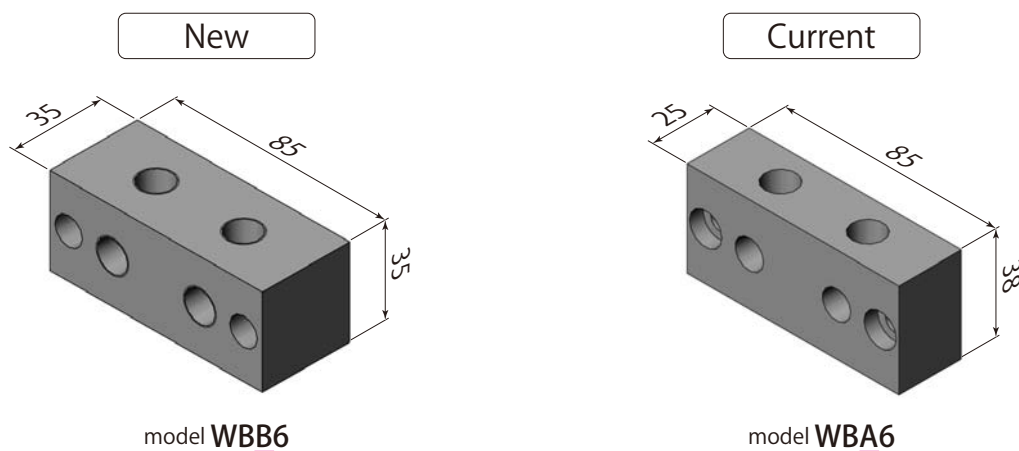


Pascal Corporation
Technical department
Shouta Yamaoka

Design Change Notice

Dear Valued Customer;

In an effort to continually improve the product, we will be updating the design of the branch. Please refer to the diagram shown below. There was only one type of block which has 6 connection ports available but we have now prepared 7 models to respond to the needs of a wide range of customers. The details are explained in the attached sheet.



We will start shipping the new block from December 2023.

If you have any questions, please feel free to contact Customer Service Center.

Customer Service Center.

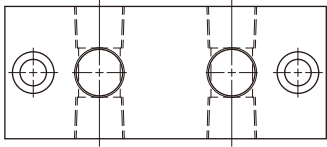
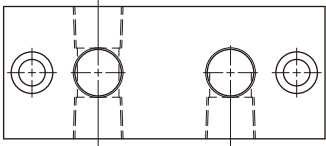
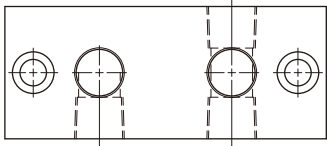
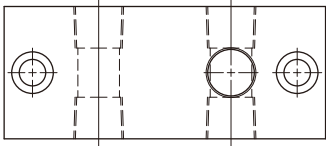
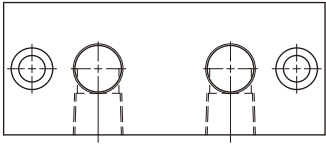
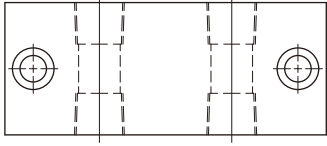
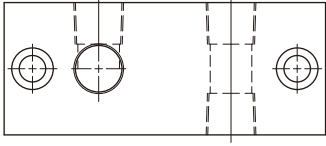
TEL. +81-72-777-6855 FAX. +81-72-777-3520

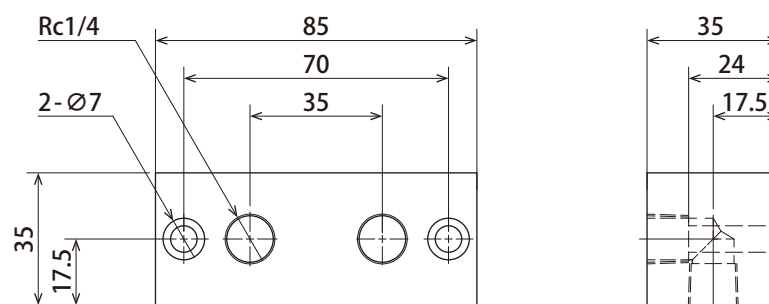
E-mail press@pascaleng.co.jp

8:30 ~ 17:30 Mon. to Fri.

Branch

Old name: Manifold Block

Number of port	Port Layout		
6 ports	model WBB6-6A 		
5 ports	model WBB6-5A 	model WBB6-5B 	model WBB6-5C 
4 ports	model WBB6-4A 	model WBB6-4B 	model WBB6-4C 

Dimensions

mass : 0.61 kg

Mounting screws are not included. Mounting screw : M6x30 (Part No. : ZH-8BSCM06030)