

# Pascal traveling clamp model **TRA**

Improved design

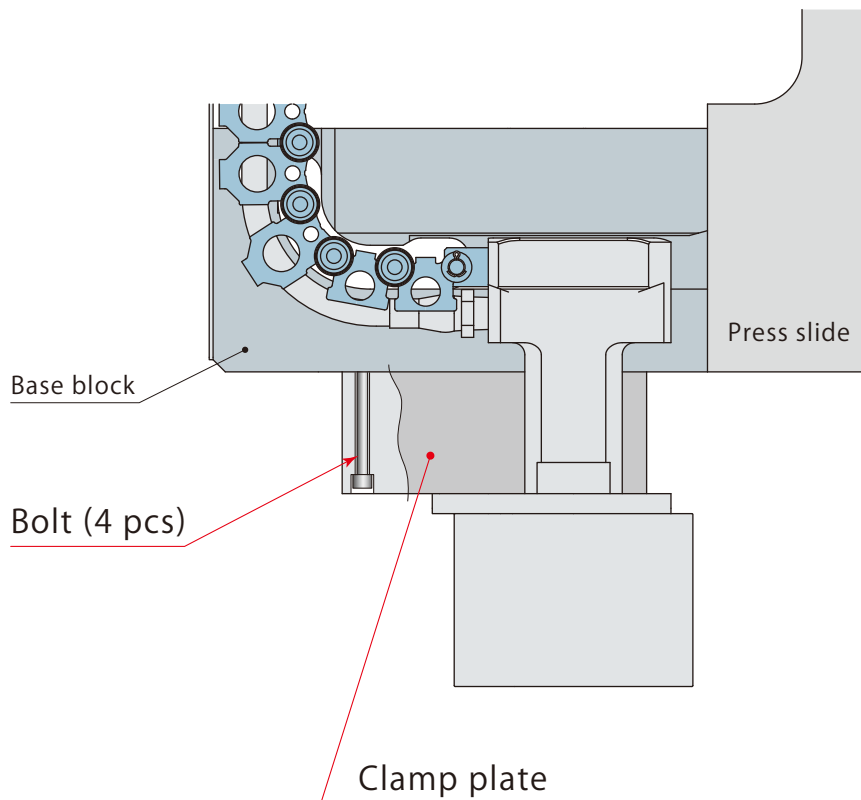
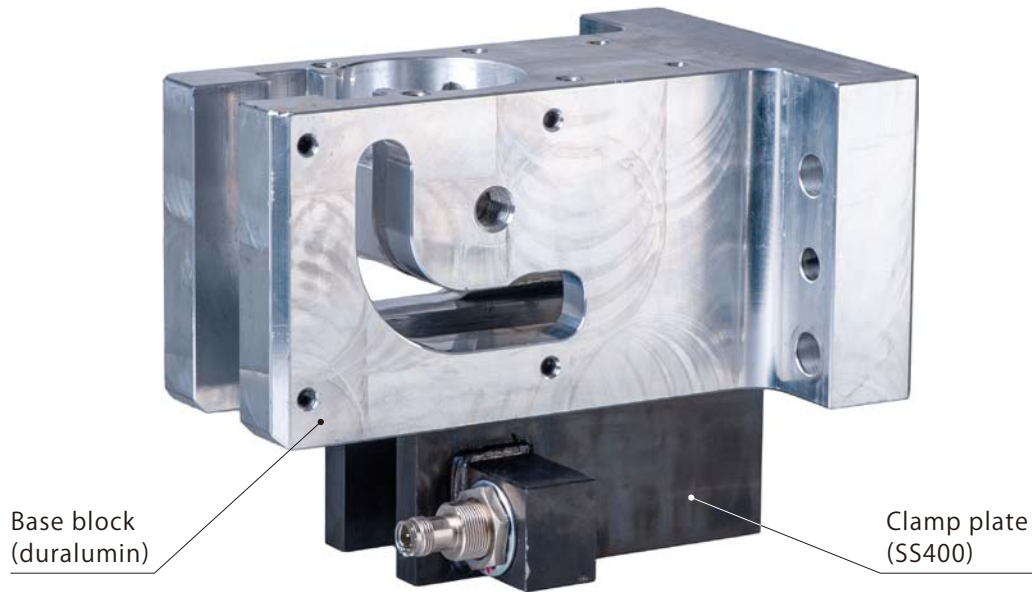


**Pascal**  
[www.pascaleng.co.jp](http://www.pascaleng.co.jp)

**Current model**

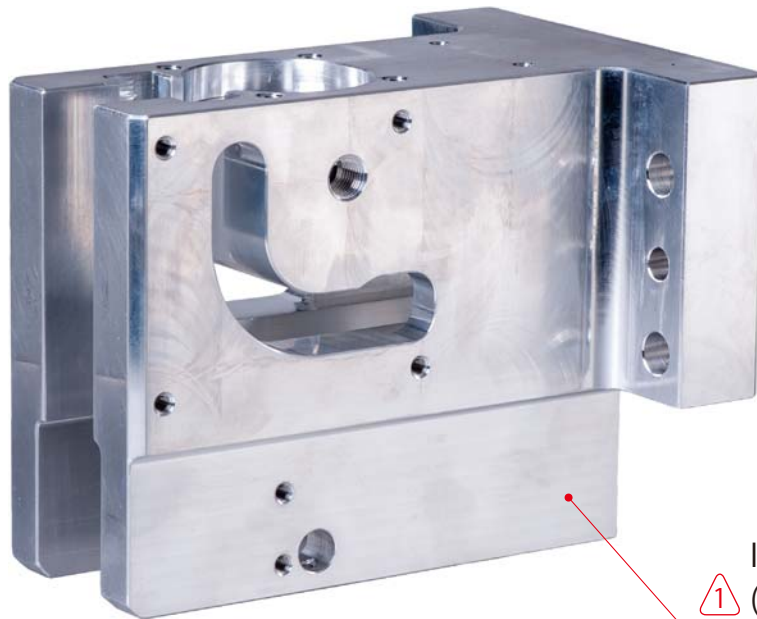
Maintenance parts are still available.

The clamp plate is mounted by 4 pcs of screw on the base block.

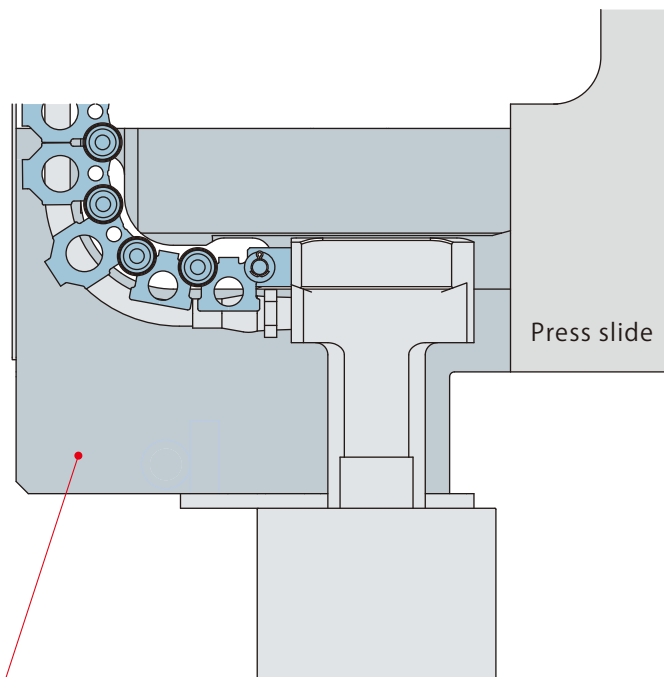


## Improved design

The clamp plate integrated block design enables eliminate the mounting screws also endurance improved against the impact and vibration being generated by the stamping operation.



1 Integrated block (duralumin)



1 Integrated block

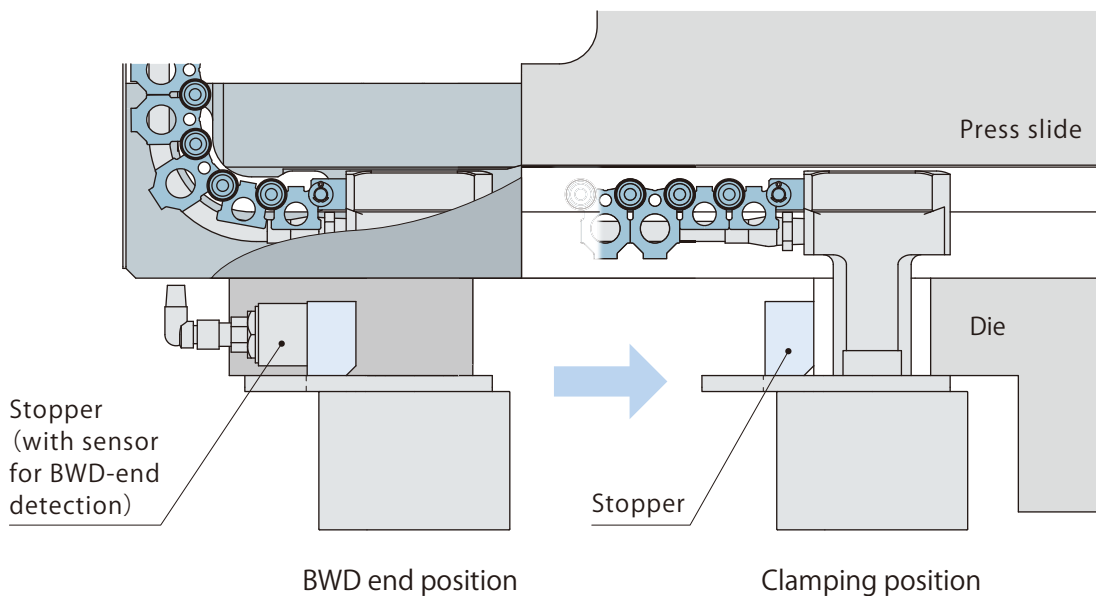
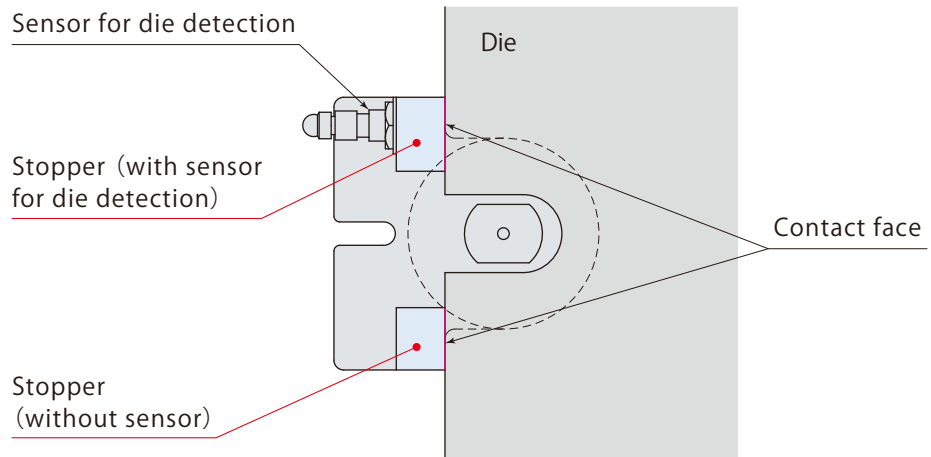
**Current model**

Maintenance parts are still available.

The sensor block is not symmetrically mounted on the clamp and a customer had to buy 2 different types for the replacement.

Stopper (with sensor for die detection)

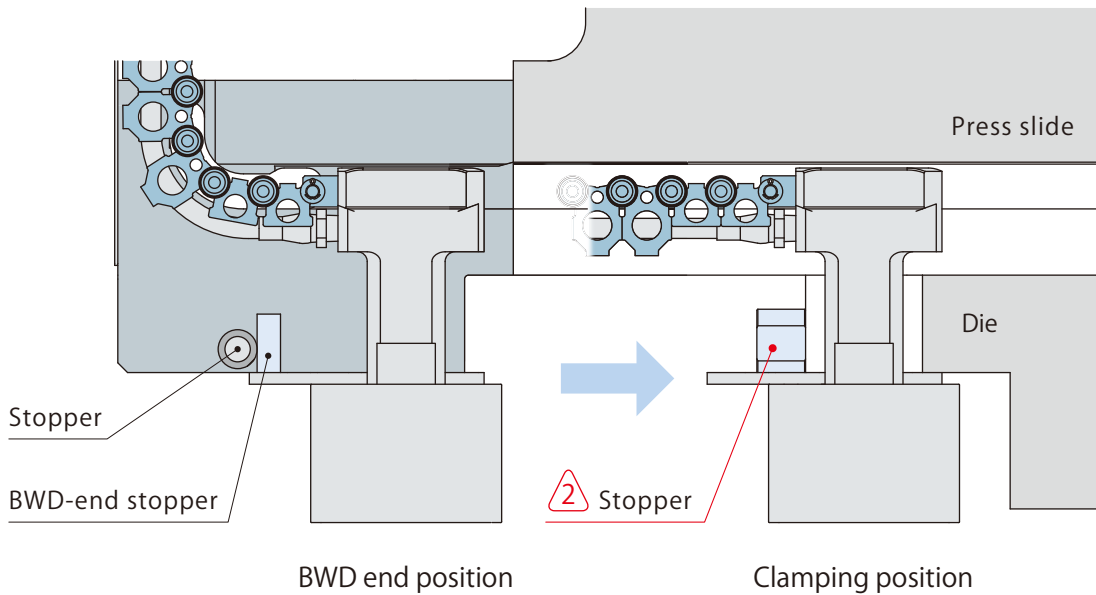
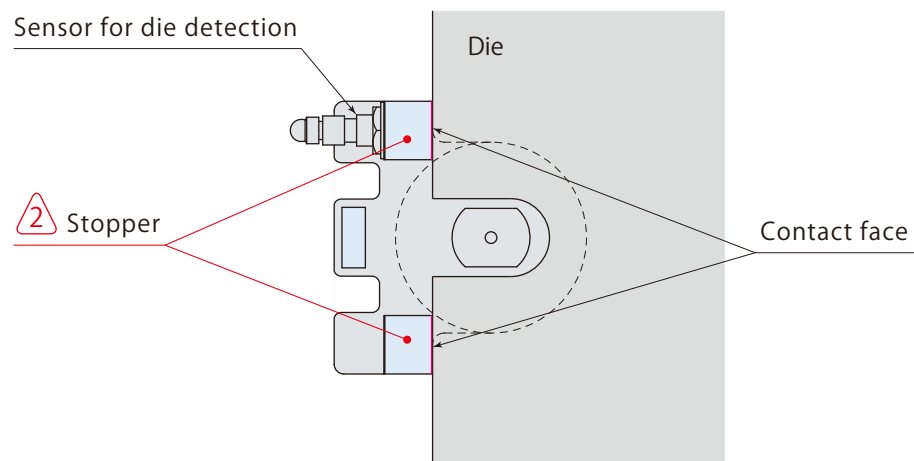
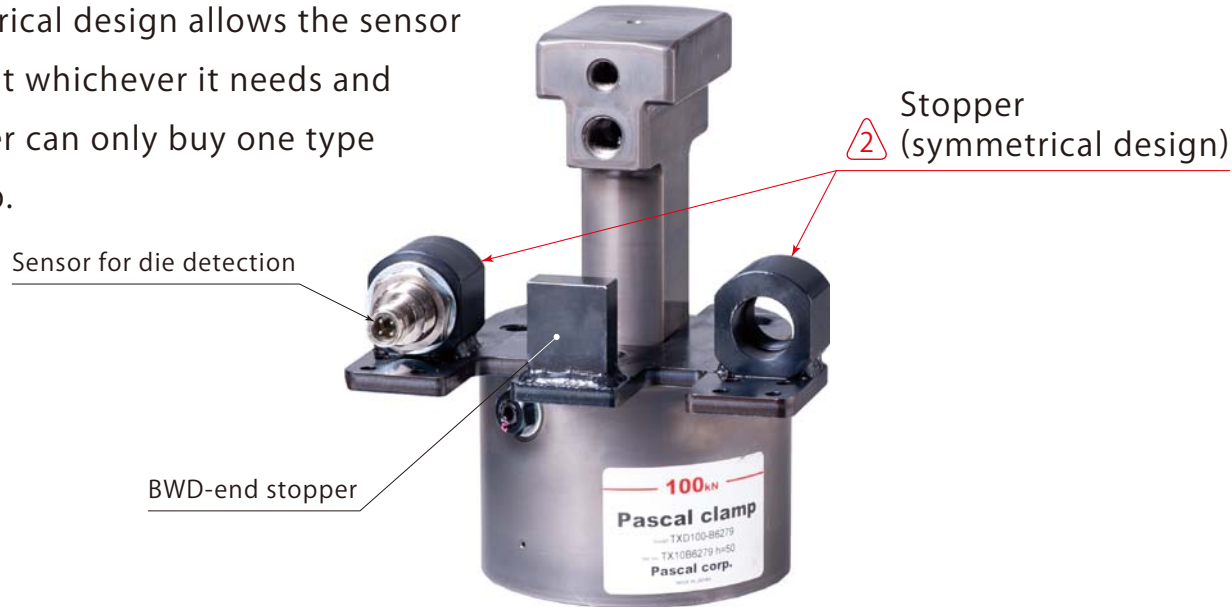
Stopper (without sensor)



The stopper design is unified in one type.

### Improved design

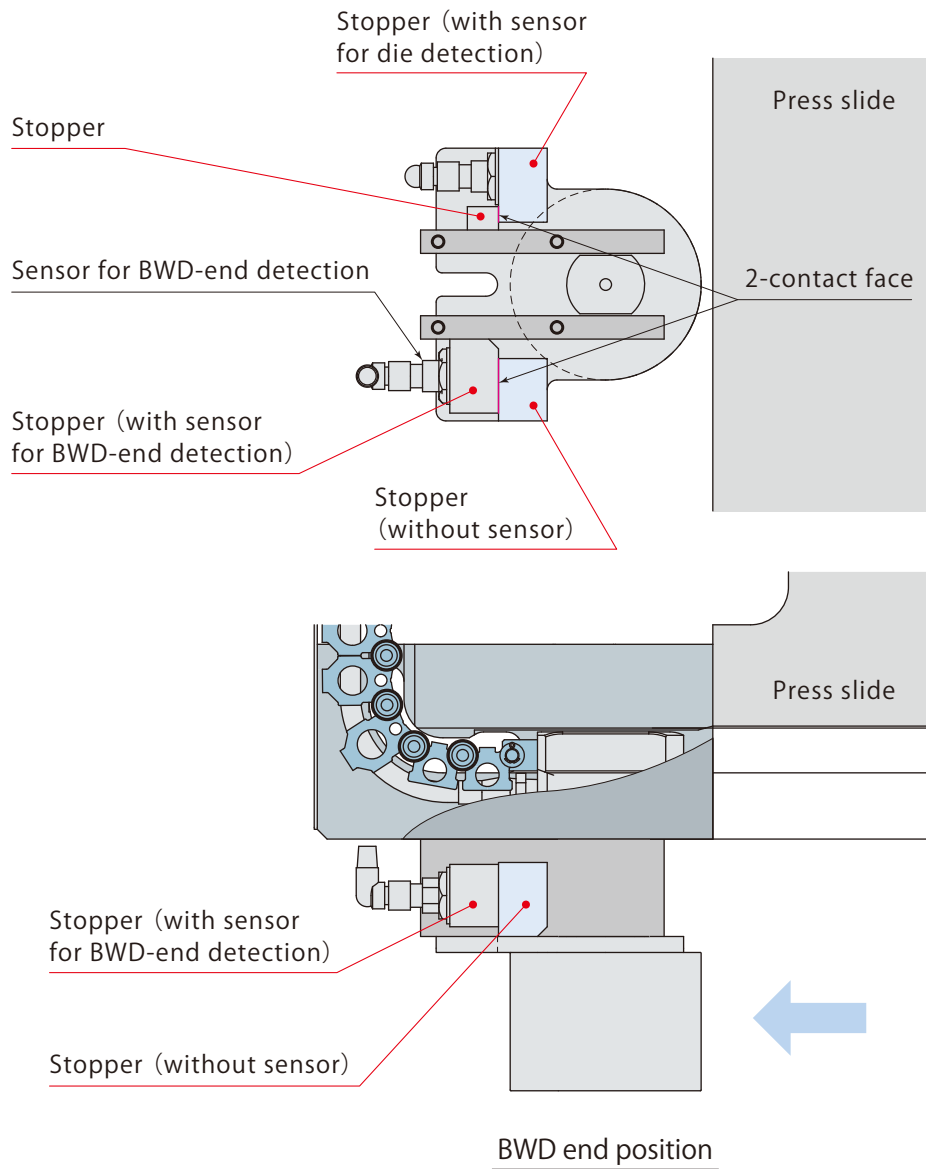
Symmetrical design allows the sensor to mount whichever it needs and customer can only buy one type of clamp.



**Current model**

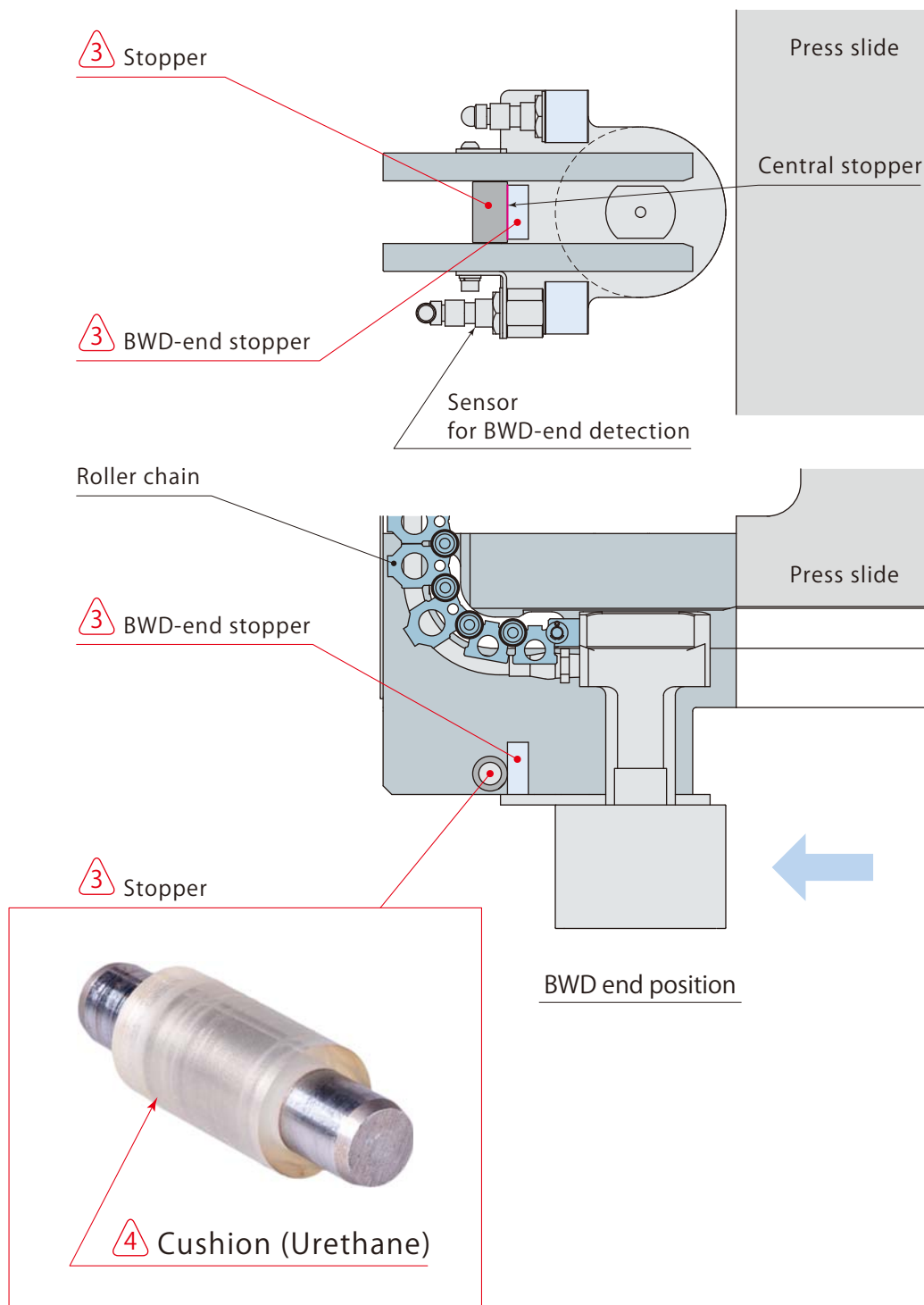
Maintenance parts are still available.

2 pcs of stopper make the clamp stop at BWD-end position.



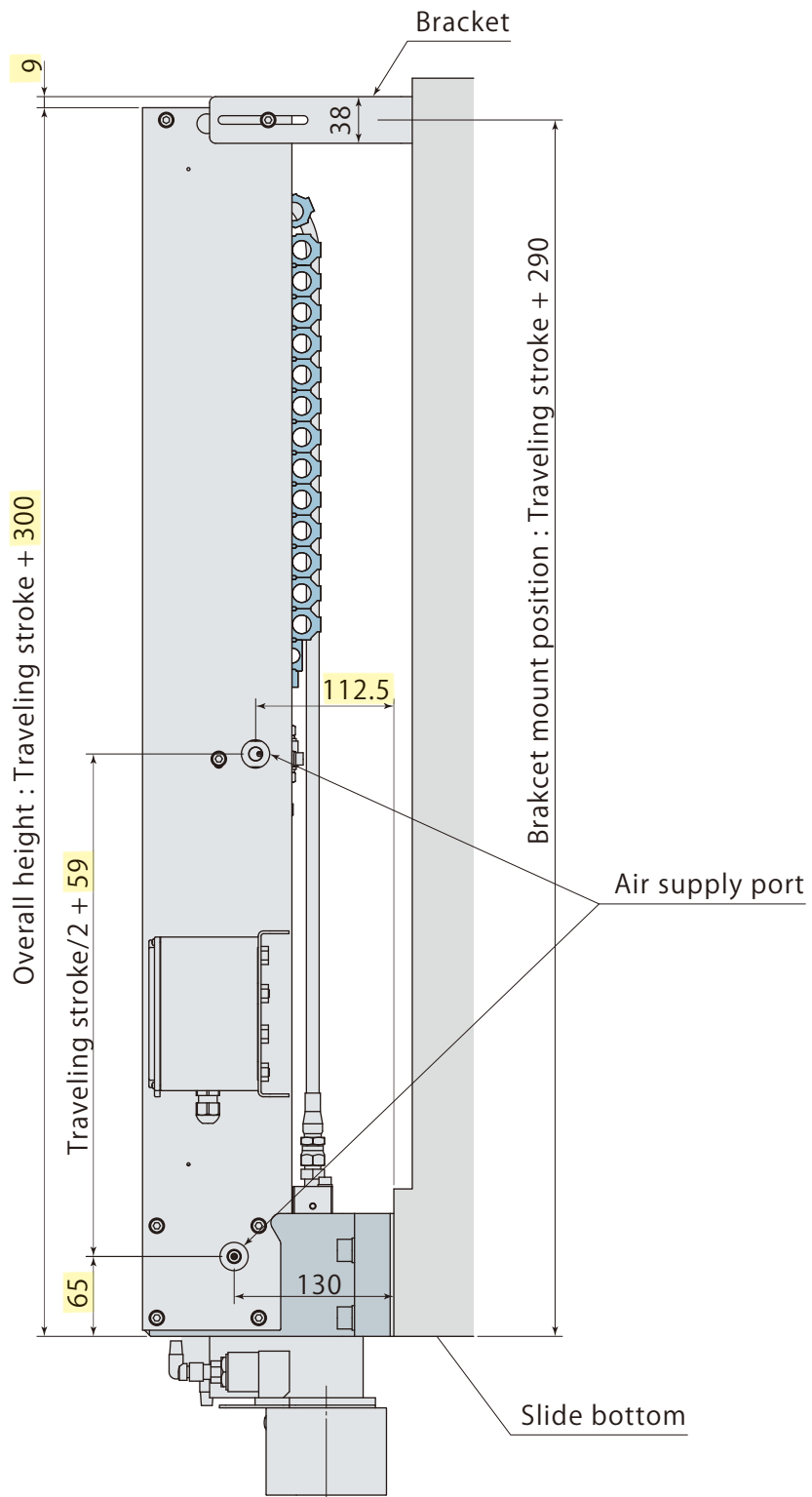
## Improved design

To make the clamp stop securely at BWD-end position, 3 only 1 pce of stopper is provided at the position as shown in the diagram below. In addition, 4 a new design stopper is provided on the base block so that it can reduce the impact when the clamp hits against it in high speed and eventually alleviates excessive load to the roller chain.



**Current model**

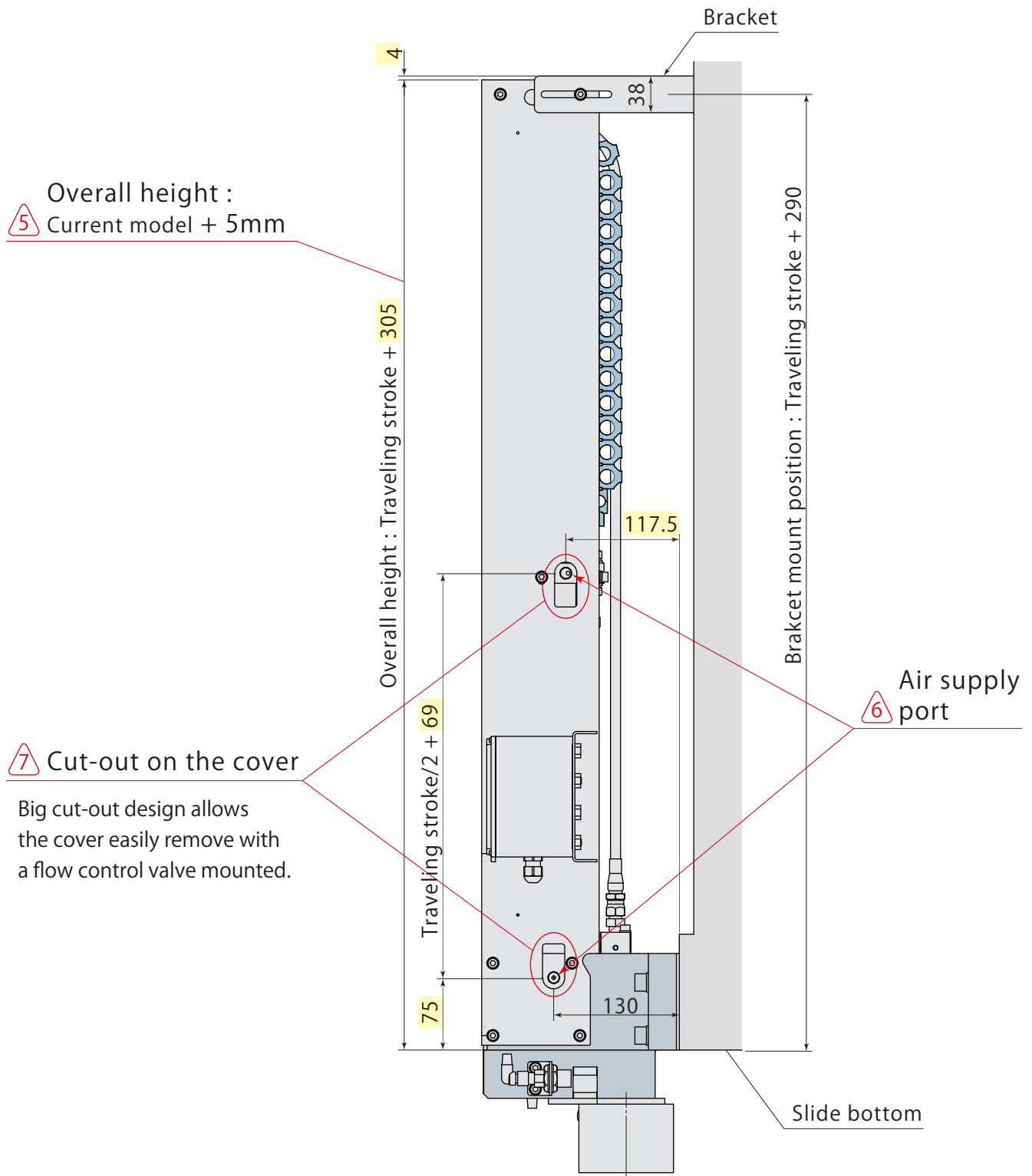
Maintenance parts are still available.





## Improved design

Be careful that 5mm is increased on the current model overall height.







# Pascal

Itami, Hyogo, Japan 664-8502  
TEL. 072-777-3333 FAX. 072-777-3520



CERTIFICATE OF APPROVAL ISO9001