

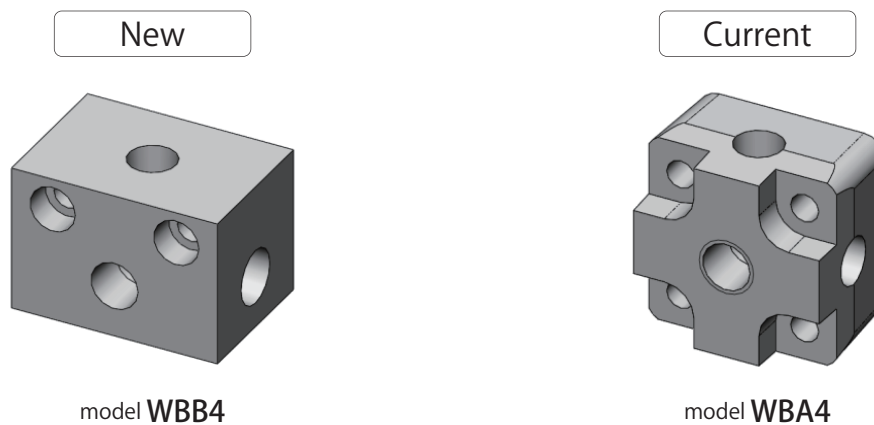
**Pascal Corporation**  
Technical department  
Shouta Yamaoka

---

## Design Change Notice

Dear Valued Customer;

In an effort to continually improve the products, we will be updating the design of the manifold block. Please refer to the diagram shown below. There was only one type of block which has 4 connection ports available but we have now prepared 5 models to meet the wide range of customer needs, also have changed the product name to "Branch" on this occasion. The details are explained in the attached sheet.



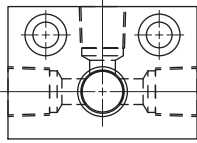
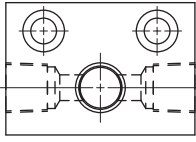
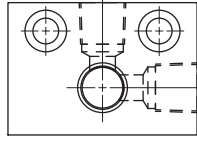
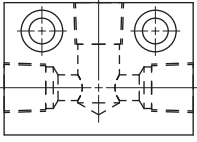
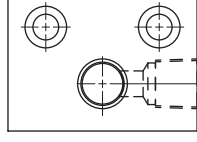
We will start shipping the new block from January 2023.

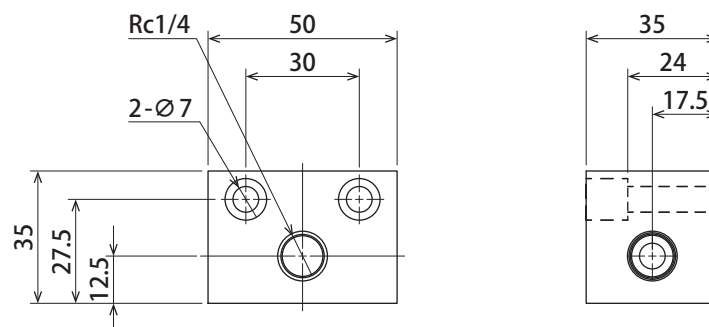
If you have any questions, please feel free to contact  
Customer Service Center.

TEL. +81-72-777-6855 FAX. +81-72-777-3520  
E-mail [press@pascaleng.co.jp](mailto:press@pascaleng.co.jp)  
8:30 ~ 17:30 Mon. to Fri.

## Branch

Old name: Manifold Block

Number of port	Port Layout		
4 ports	model <b>WBB4-4A</b> 		
3 ports	model <b>WBB4-3A</b> 	model <b>WBB4-3B</b> 	model <b>WBB4-3C</b> 
2 ports	model <b>WBB4-2A</b> 		

Dimensions

mass : 0.42 kg

Mounting screws are not included. Mounting screw : M6x30 (Part No. : ZH-8BSCM06030)