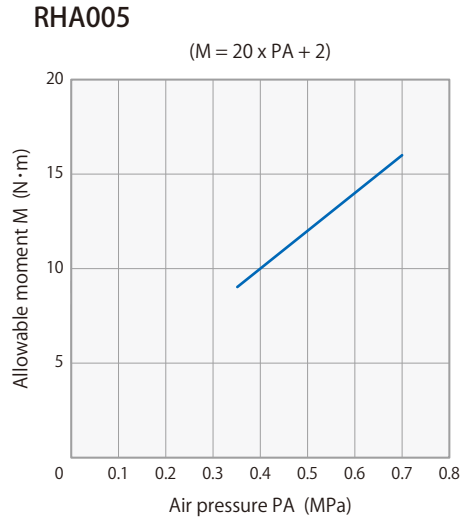




### Performance diagram



### Specifications

Model		RHA005	
Payload*1	kg	5	
Allowable moment (Air pressure at 0.5 MPa)*2	N·m	12	
Allowable torque*2	N·m	20	
Tightening force	Air pressure at 0 MPa	kN	0.09
	Air pressure at 0.5 MPa	kN	0.58
Lift force	Air pressure at 0.5 MPa	kN	0.15
Repeatability	mm	0.01	
Dimensions (Outer diameter × Height when connected)	mm	ø43×41	
Mass	Master plate	g	160
	Tool plate	g	90
Air pressure for connecting/disconnecting operation	MPa	0.35~0.7	
Connector for air	Number of ports (Size)	4 (M5)	
	Working pressure	MPa	-0.09~1
Operating temperature	°C	0~70	

\*1: Select a model number not to exceed the allowable torque and moment, even if it was less than the payload.

\*2: This value indicates the maximum. Select the right model so as not to exceed these values even for a split-second.

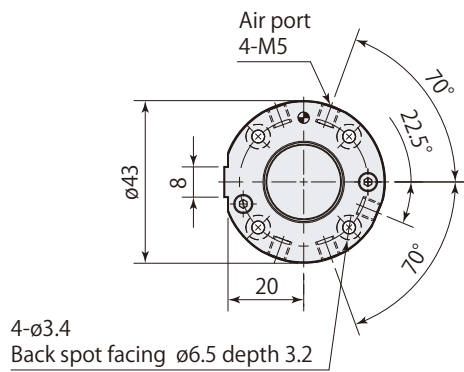
Option		Option symbol
Electric connector	10 points volume 3A / 1pc (with cable)	<b>E0</b>
	20 points volume 3A / 1pc (with cable)	<b>E00</b>
Remote sensor*1	4 points (with cable)	<b>RN4</b> <b>RP4</b> <b>R4</b>

\*1: Refer to the web site of the company named B & Plus for details about the remote sensor.

### Model designation

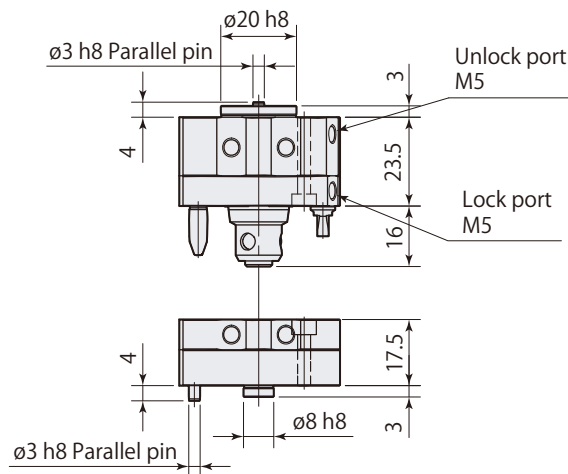
		Connector for air(option)	Electric connector(option)
Master plate	<b>RHA 005 - M</b>	<input type="checkbox"/>	<input type="checkbox"/>
Tool plate	<b>RHA 005 - T</b>	<input type="checkbox"/>	<input type="checkbox"/>
		<input type="checkbox"/> No symbol Non check valve	<input type="checkbox"/> No symbol Connector None
			<b>E0</b> 3A×10 points
			<b>E00</b> 3A×20 points
			<b>RN4</b> Master plate side Remote sensor (NPN output) ×4 points
			<b>RP4</b> Master plate side Remote sensor (PNP output) ×4 points
			<b>R4</b> Remote sensor of tool plate side ×4 points

## Dimensions



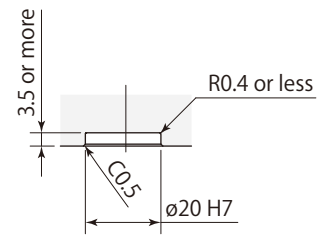
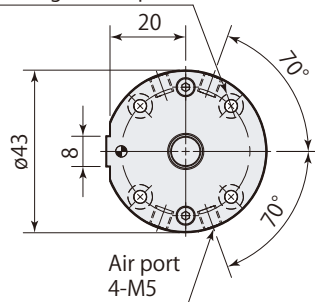
4- $\phi$ 3.4

Back spot facing  $\phi$ 6.5 depth 3.2

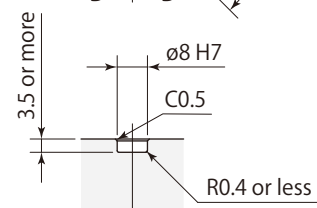
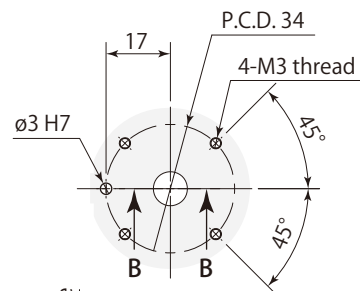
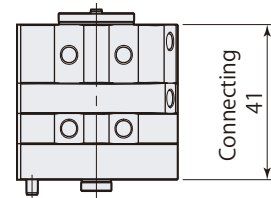
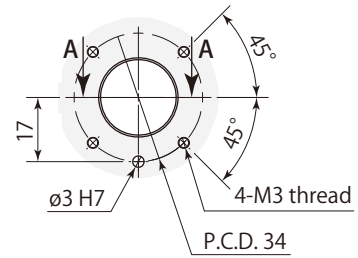


4- $\phi$ 3.4

Back spot facing  $\phi$ 6.5 depth 4



A-A



B-B

## Options



Electric connector  
3A  $\times$  10/20 points (with cable)

**E0**  
**E00**

Page  $\rightarrow$  29



Remote sensor  
4 points (with cable) Page  $\rightarrow$  35

**RN4** Master plate side NPN  
**RP4** Master plate side PNP  
**R4** Tool plate side