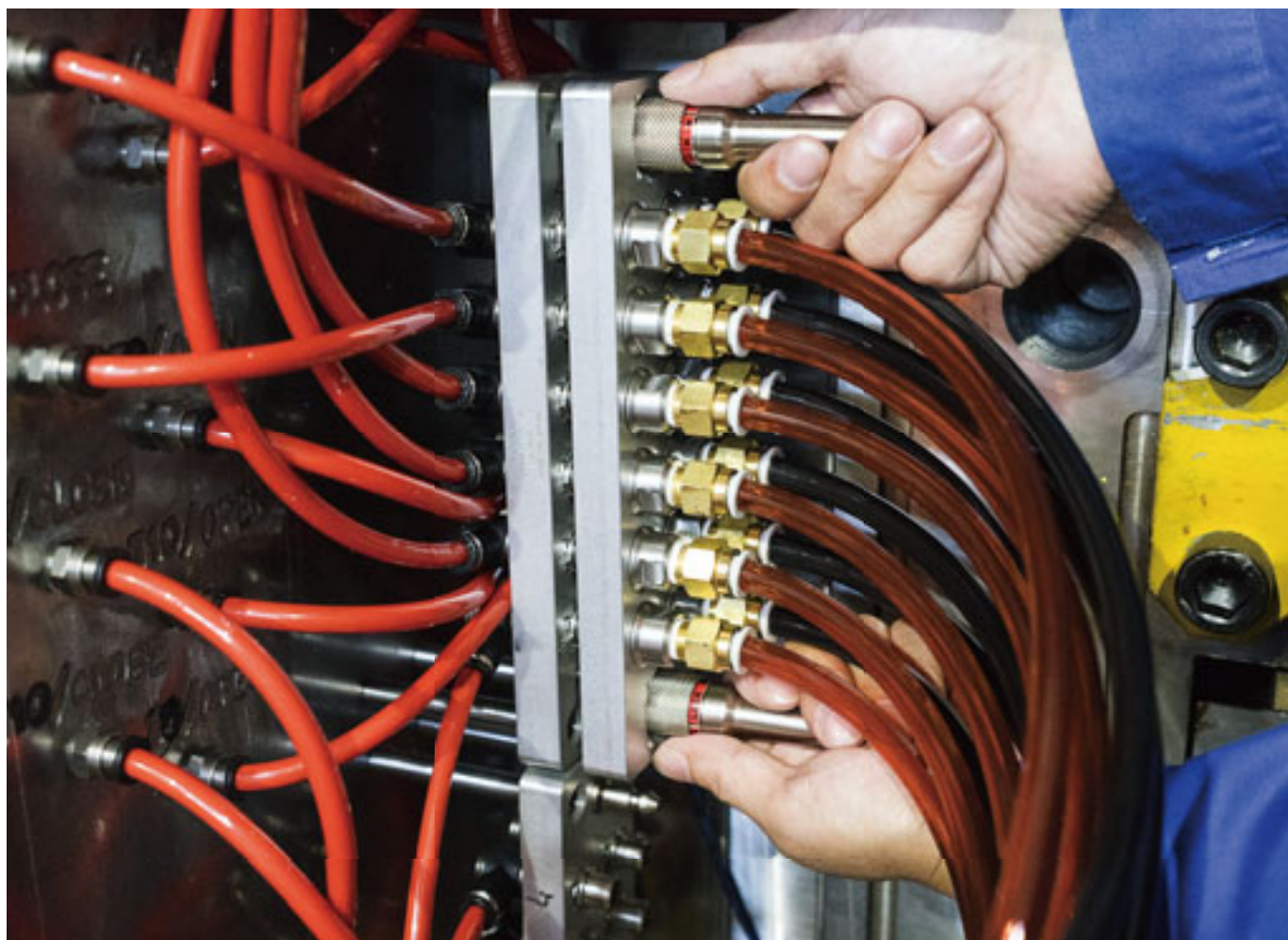


Multi coupler

open model

model **MCA**



Pascal

www.pascaleng.co.jp

Multi coupler Open model
multi coupler open model

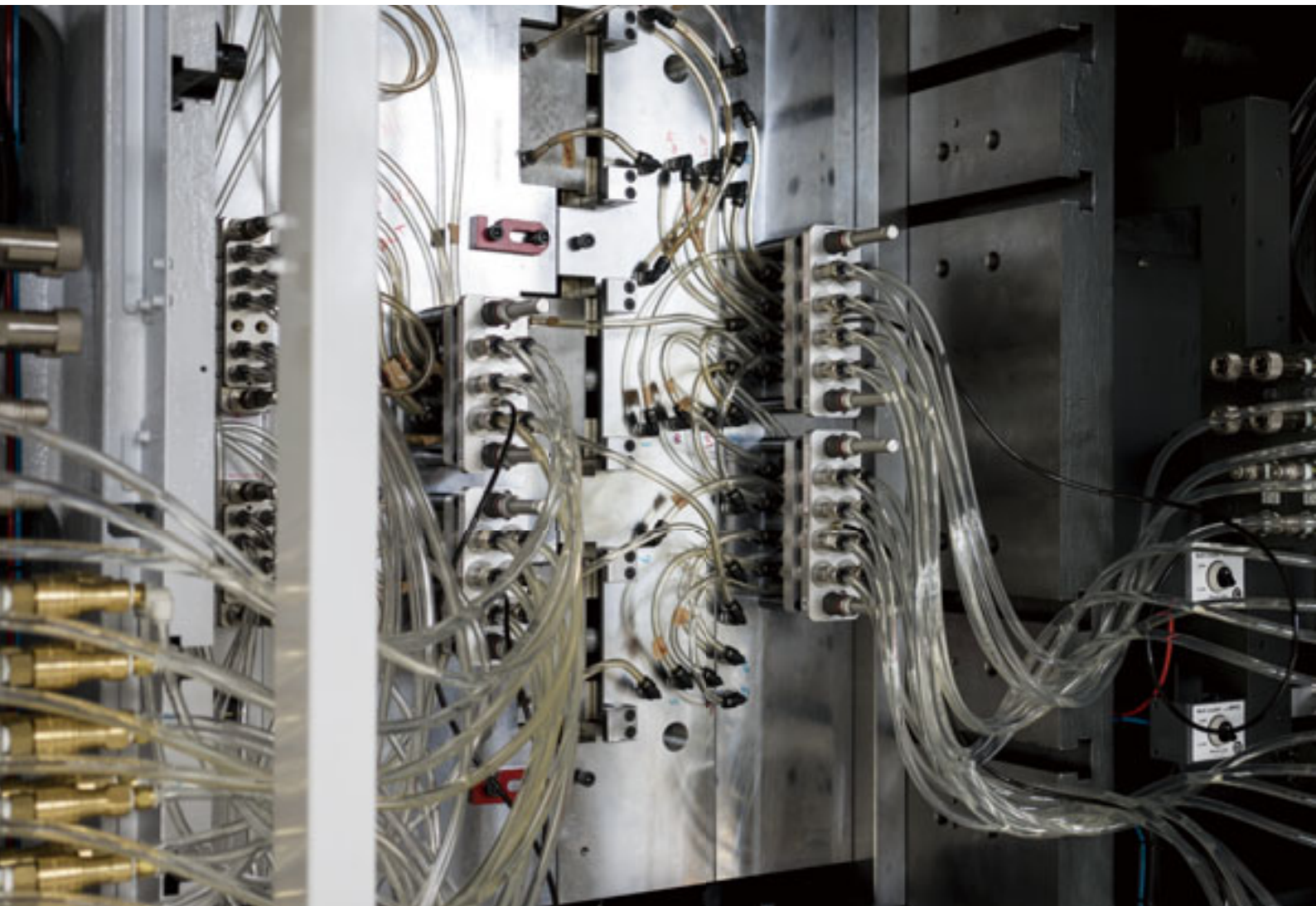
12 ports ×2 For air valve gate



18,000kN (1800ton) IMM

Multi coupler Open model & pilot air multi coupler check valve model
multi coupler open model & pilot air multi coupler check valve model

Check valve model	8 ports	×2	For mold temperature control
	6 ports	×2	For mold temperature control
Open model	12 ports	×1	For air valve gate
	6 ports	×1	For air valve gate



8,500kN (850ton) IMM

Multi coupler Open model

multi coupler open model

8 ports ×4 For air valve gate



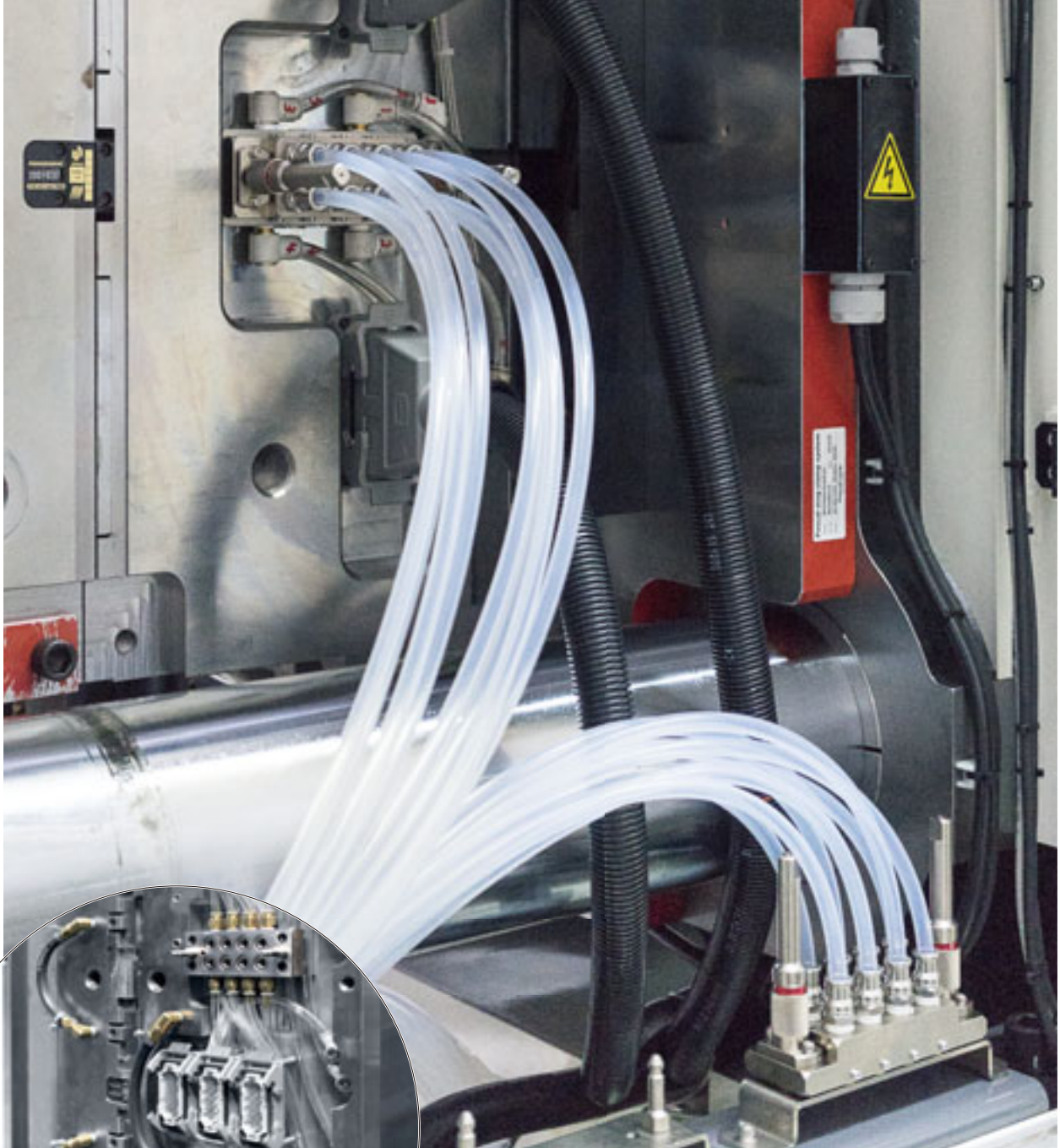
6,000kN (600ton) two-color IMM

Temporary holder for multi coupler

Multi coupler Open model

multi coupler open model

8 ports ×2 For mold temperature control



6,000kN (600ton) IMM

Mold side

Multi coupler Open model

multi coupler open model

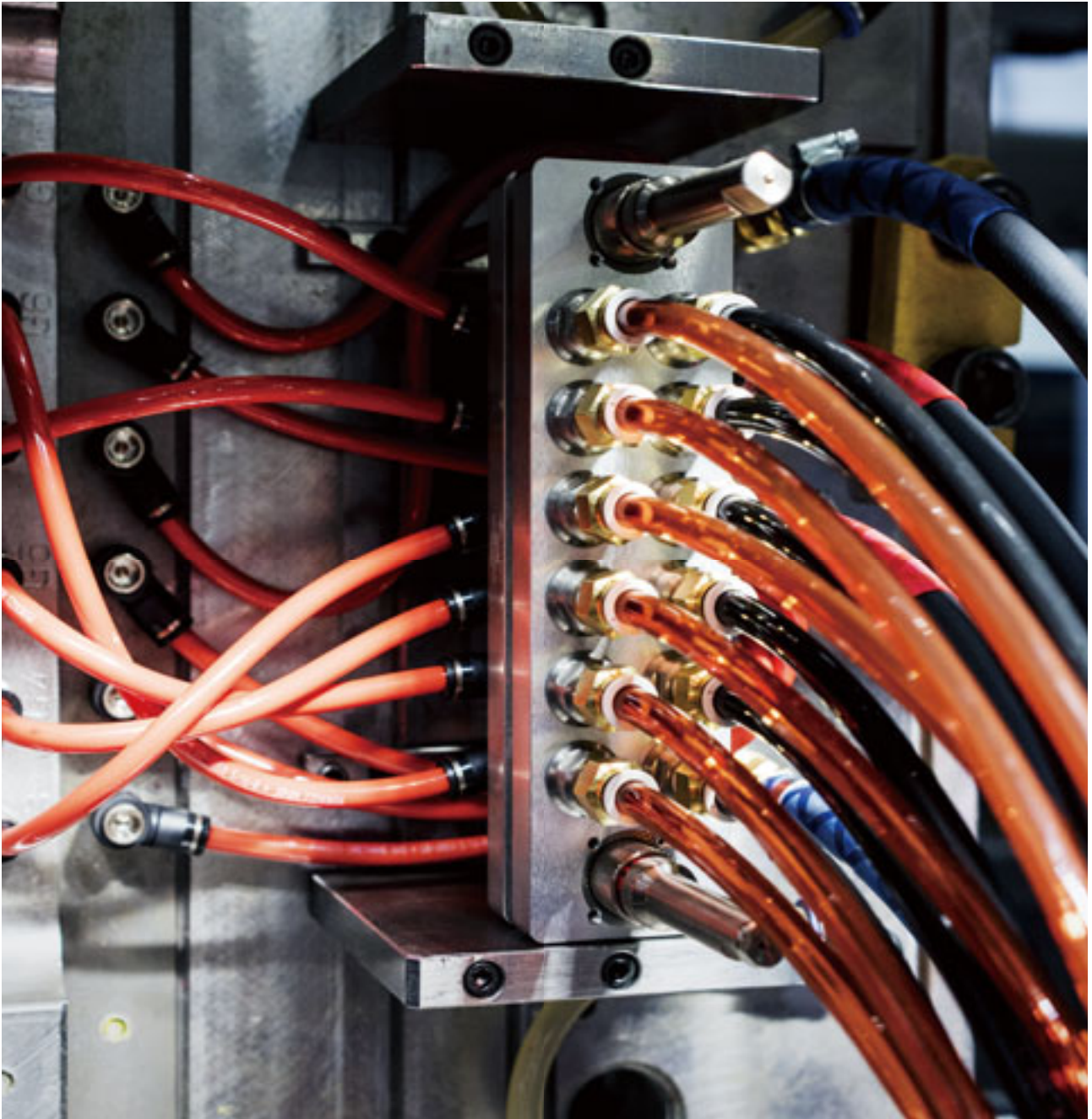
8 ports × 2 For mold temperature control



2,800kN (280ton) IMM

Multi coupler Open model
multi coupler open model

12 ports × 1 For air valve gate



8,500kN (850ton) IMM

Easy and quick coupling

Multi coupler Open (Check valve-less) model

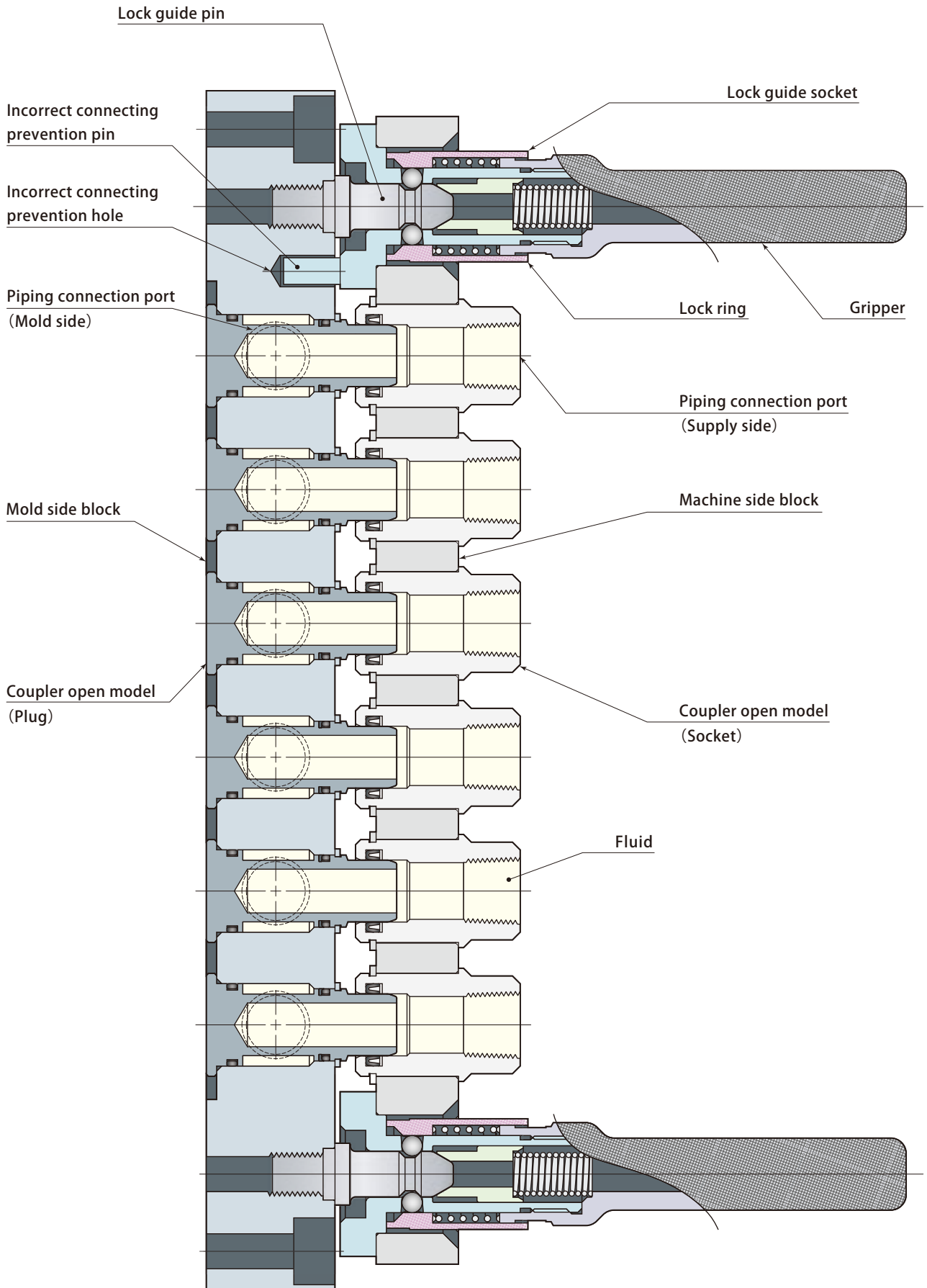
model **MCA**



Multiple couplers can be connected securely at once by pushing the gripper slightly with hand. It can prevent the connection mistake of couplers and shorten the set up time for coupling.

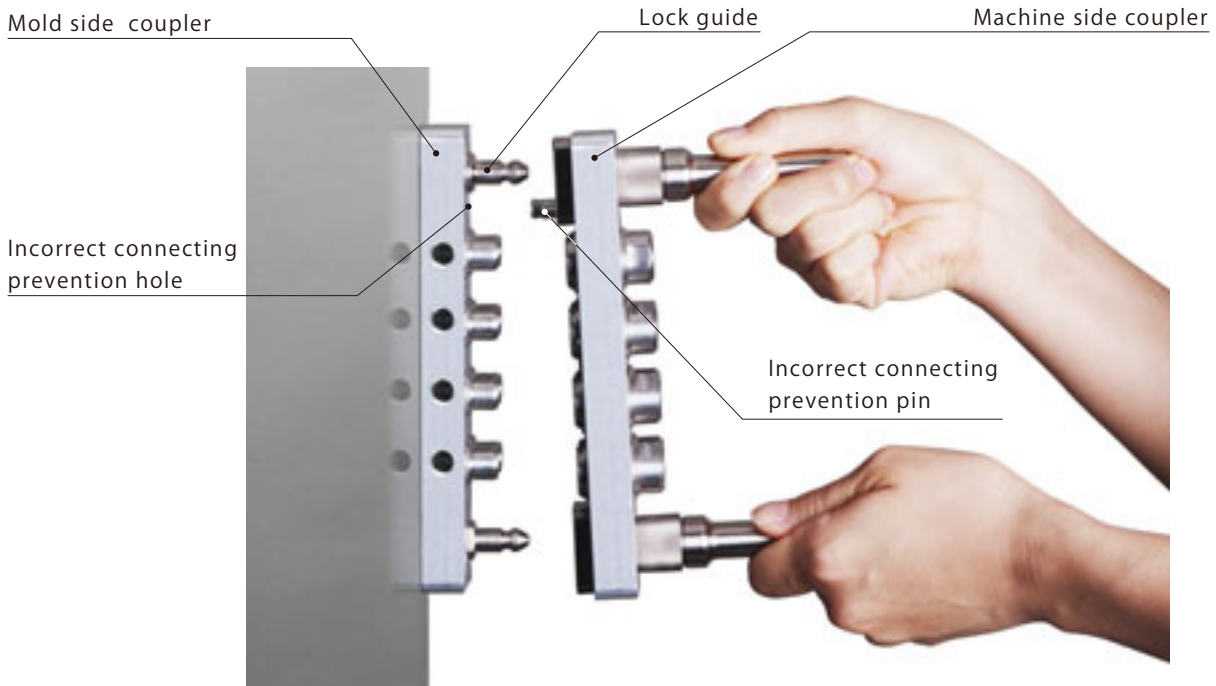
As the open model of coupler has no check valve, the pressure loss is small and malfunction due to foreign substances caught into the coupler does not occur.

- Fluid ——— Water, Air, Hydraulic
- Pressure ——— Till 0.8 MPa
- Number of ports ——— 6, 8, 12
- Pipe size ——— Rc1/4, Rc3/8

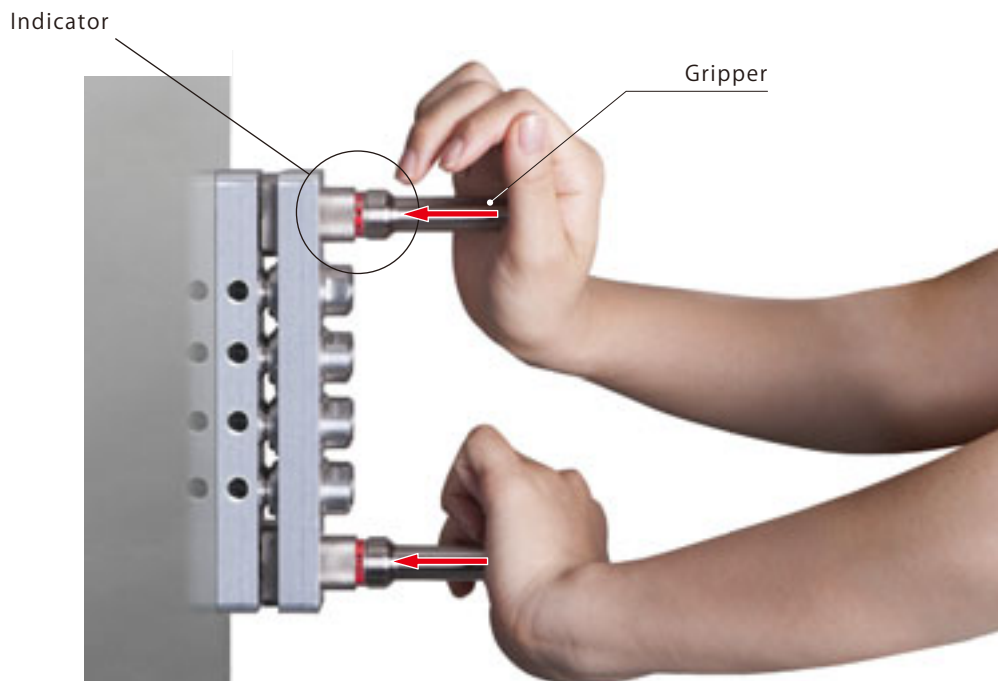


Locking operation

Insert the couplers along the guide



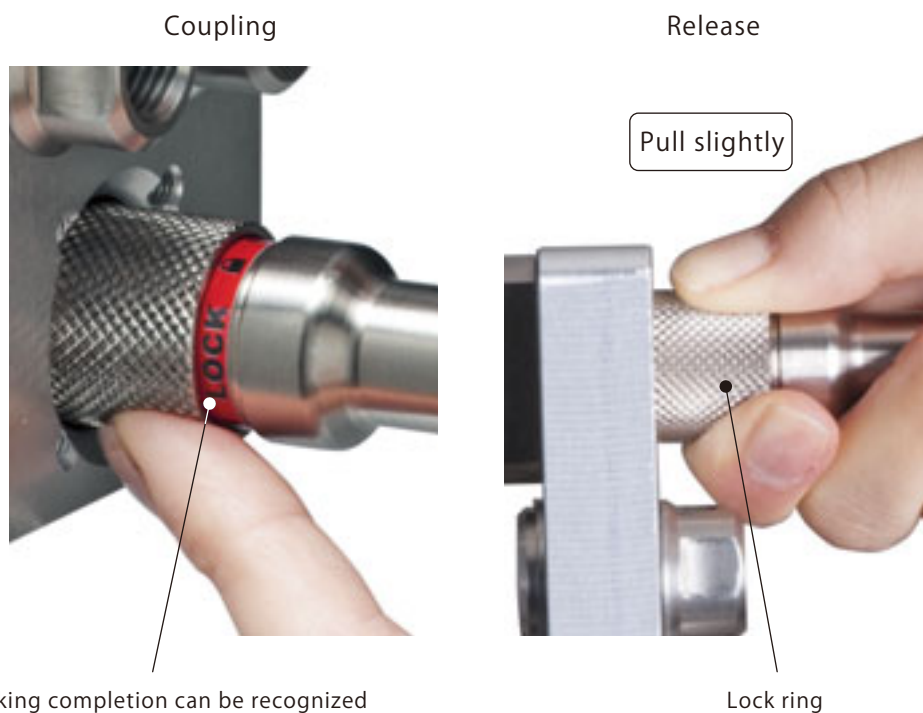
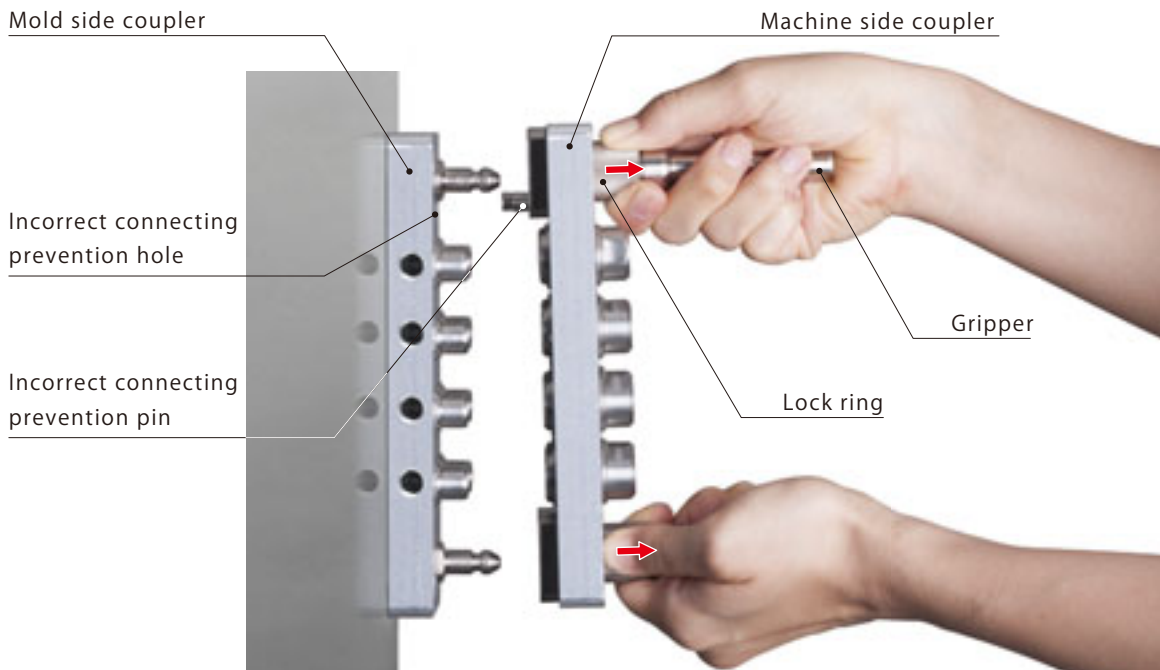
Push the gripper slightly and the locking has been completed.



slightly. It prevents misplace of couplers and can shorten the coupling time.

Release operation

Hold the gripper and pull the lock ring slightly and the couplers disconnect.

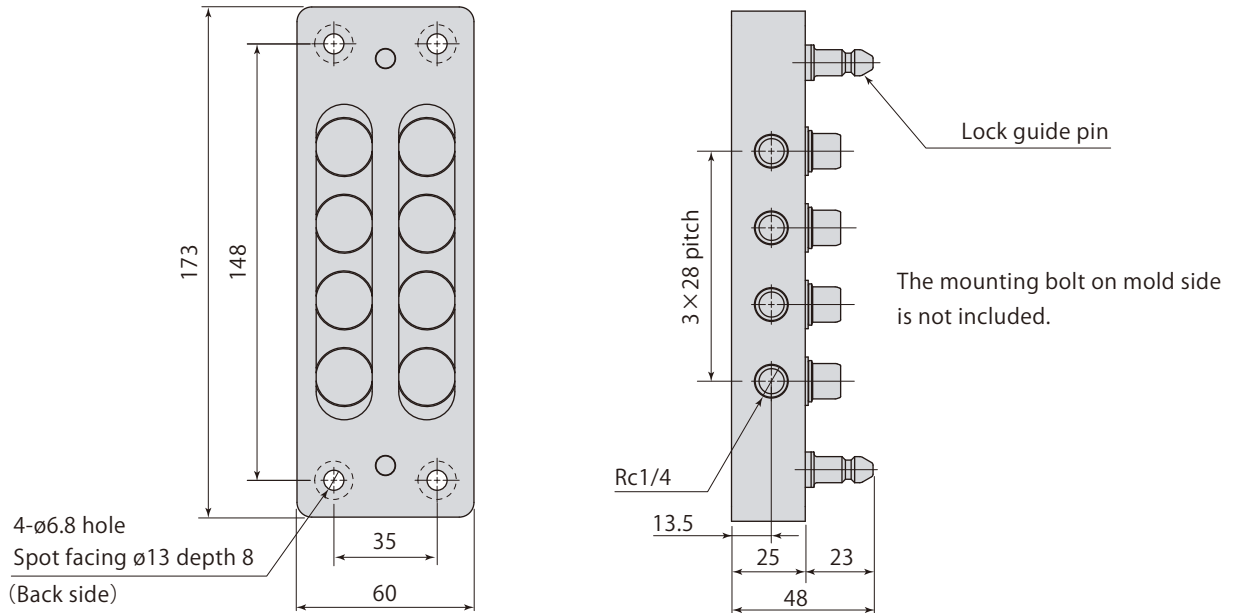


The locking completion can be recognized at a glance with this indicator.

Lock ring

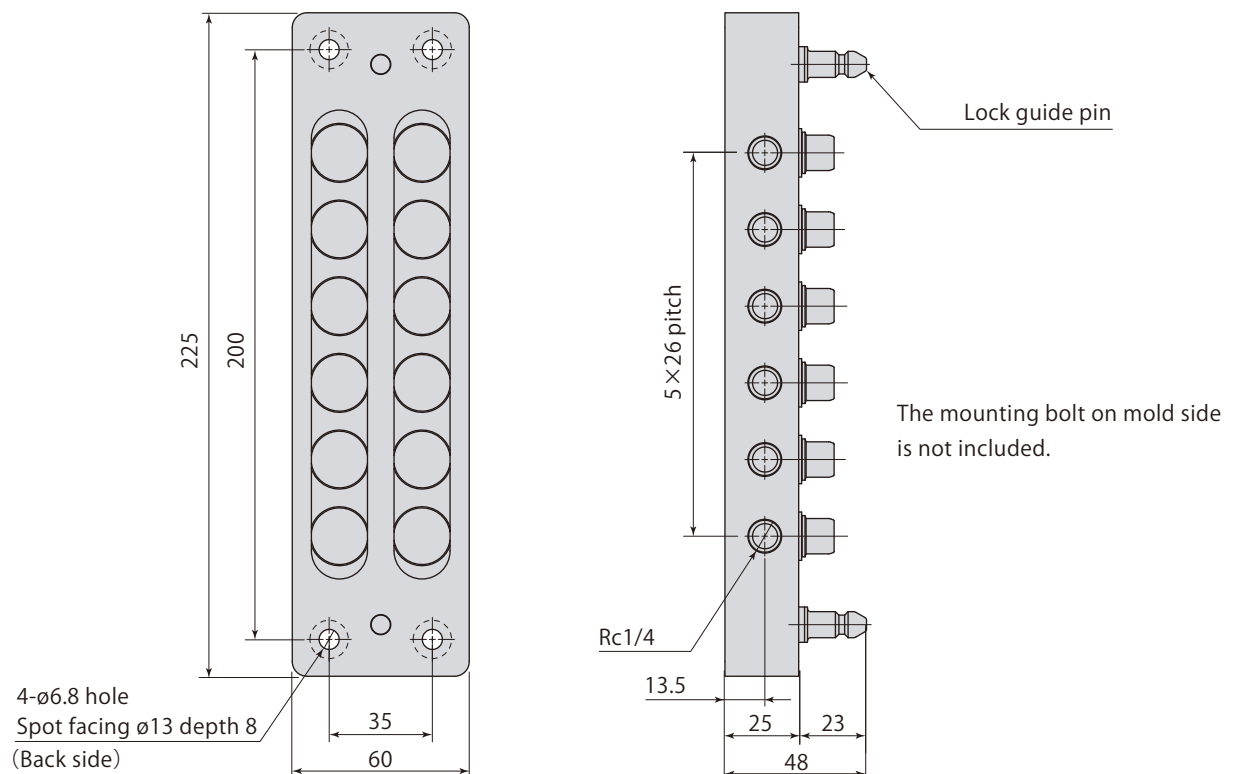
8 ports Mold side

MCA 02 - 08 P - A 1



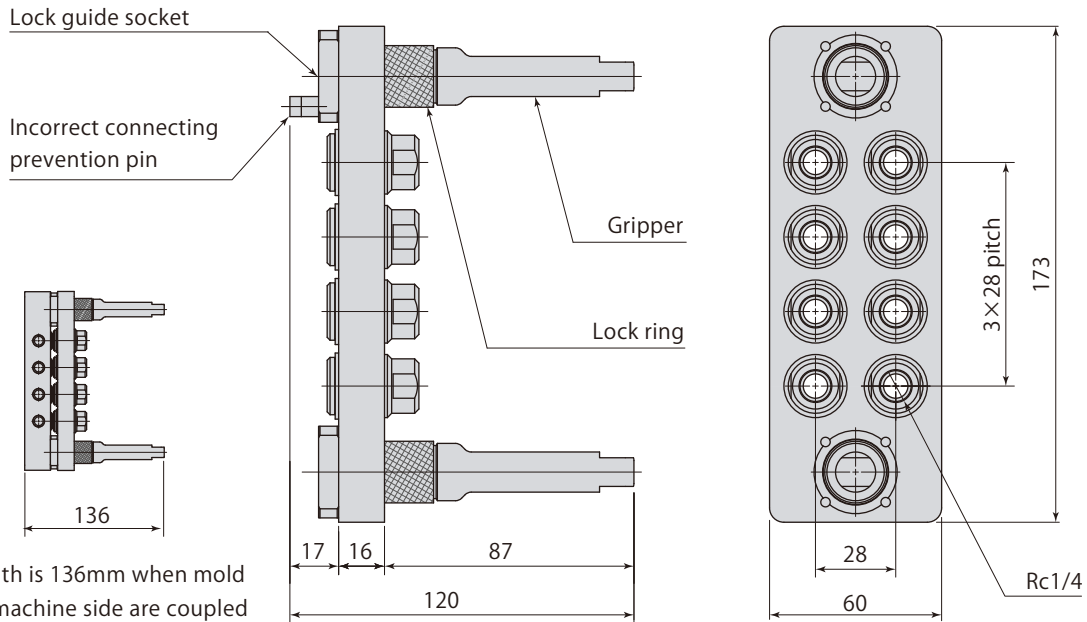
12 ports Mold side

MCA 02 - 12 P - A 1



8 ports Machine side

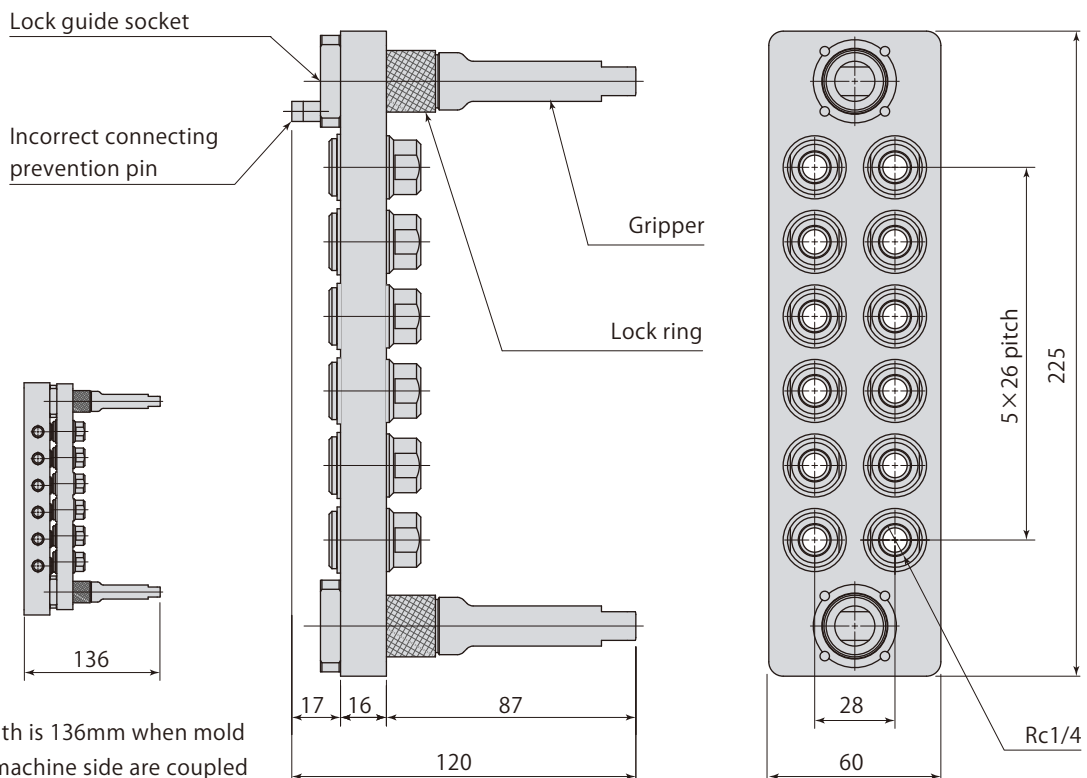
MCA02-08S-A



The breadth is 136mm when mold side and machine side are coupled together.

12 ports Machine side

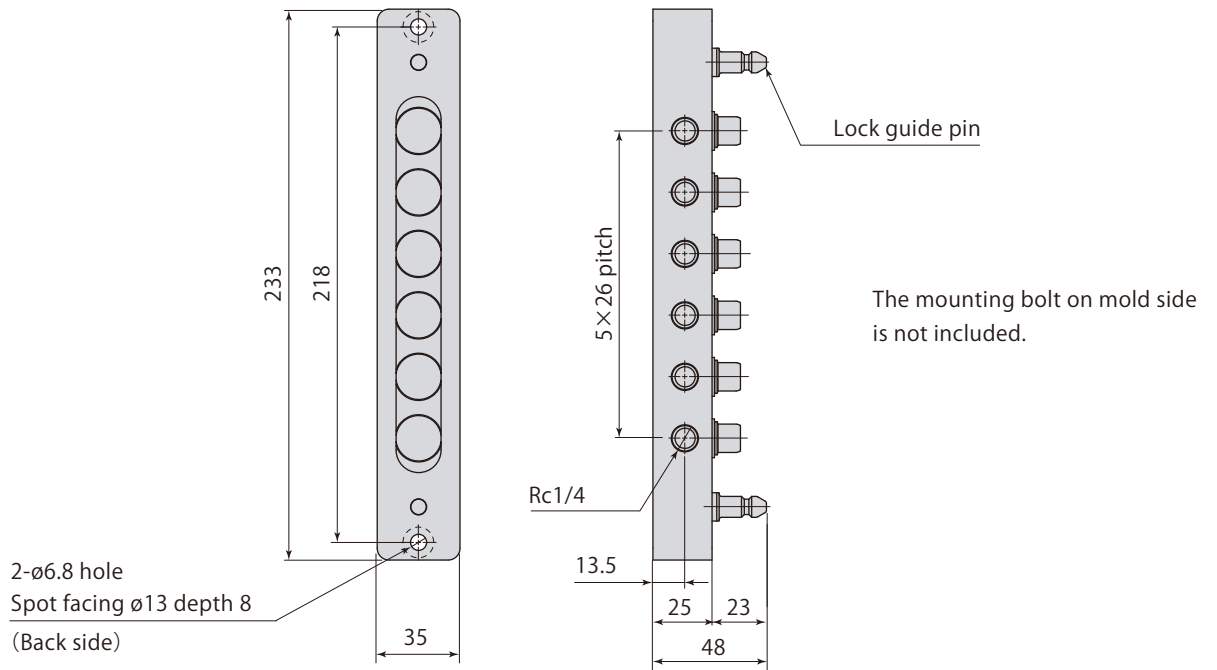
MCA02-12S-A



The breadth is 136mm when mold side and machine side are coupled together.

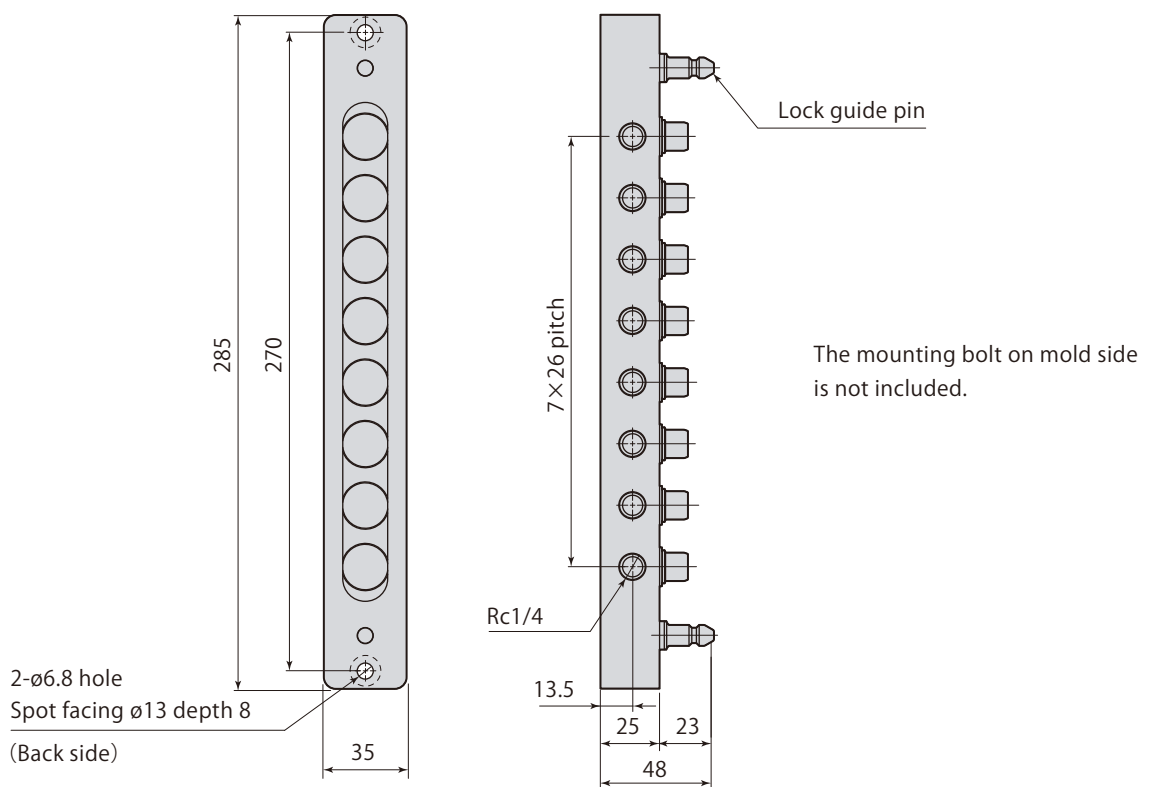
6 ports Mold side

MCA 02 - 06 P - B 1



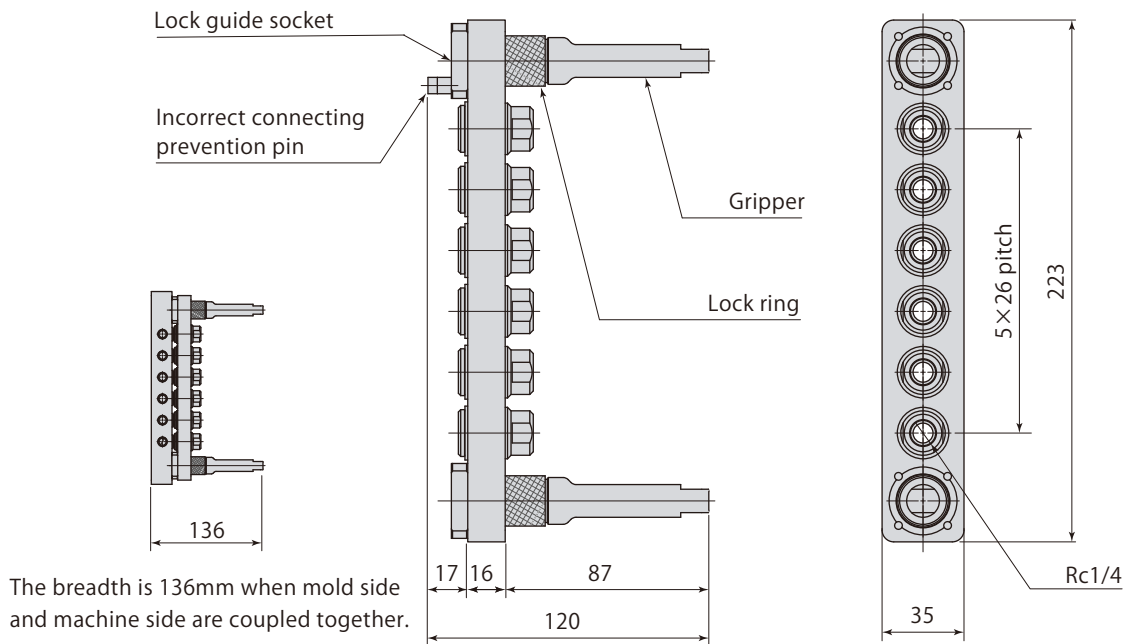
8 ports Mold side

MCA 02 - 08 P - B 1



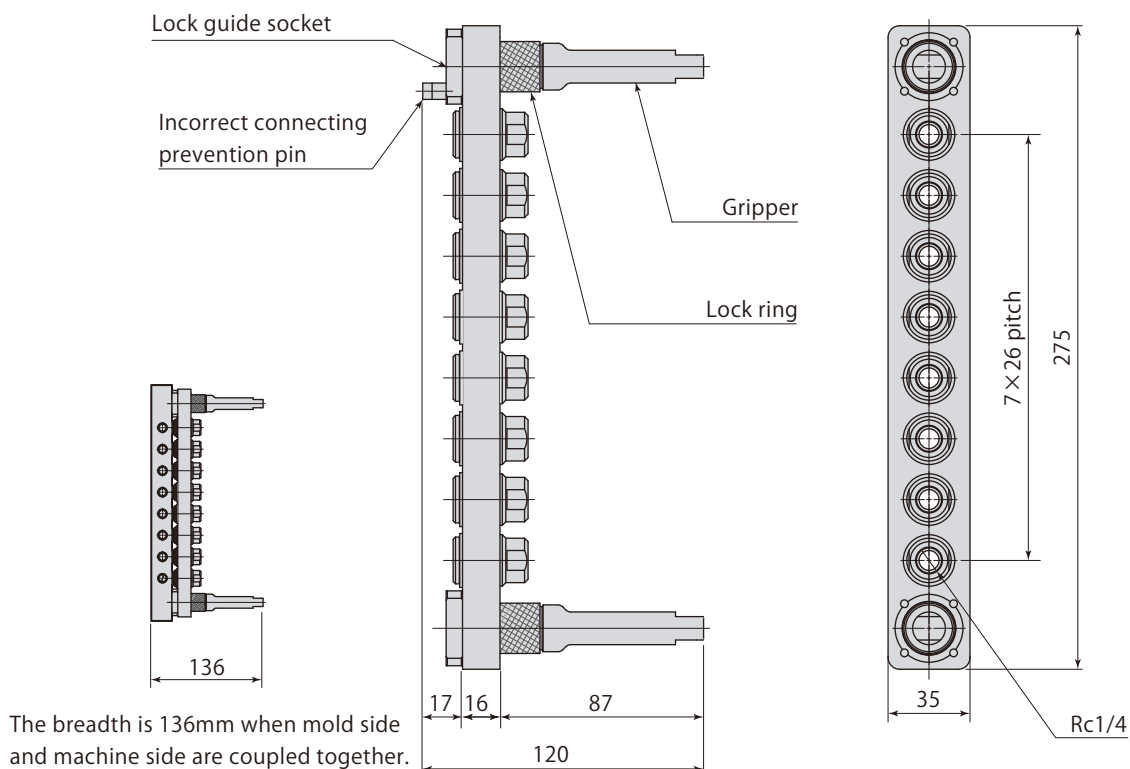
6 ports Machine side

MCA 02 - 06 S - B



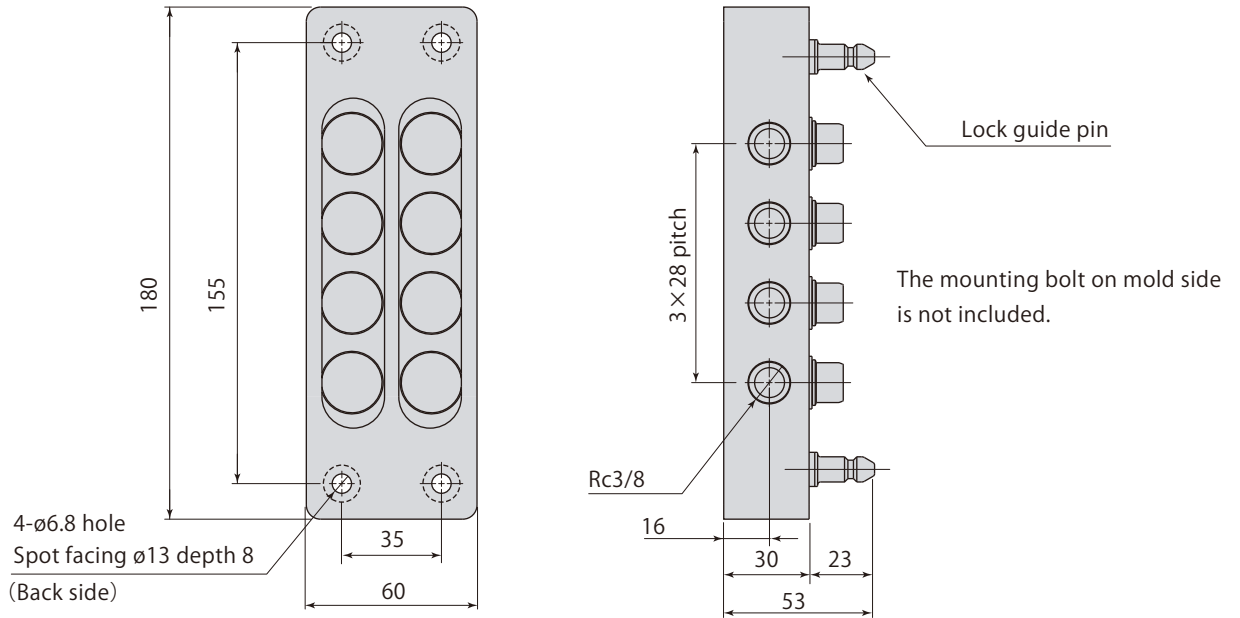
8 ports Machine side

MCA 02 - 08 S - B



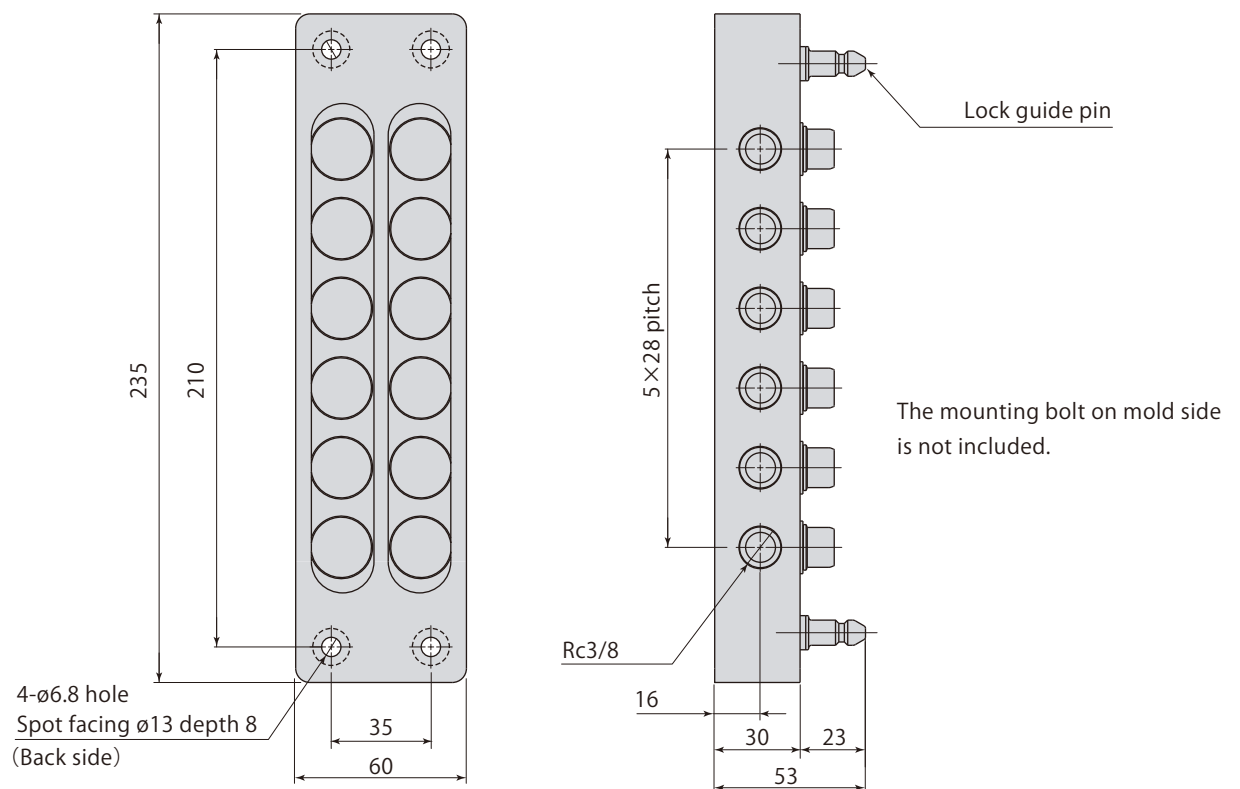
8 ports Mold side

MCA 03 - 08 P - A 1



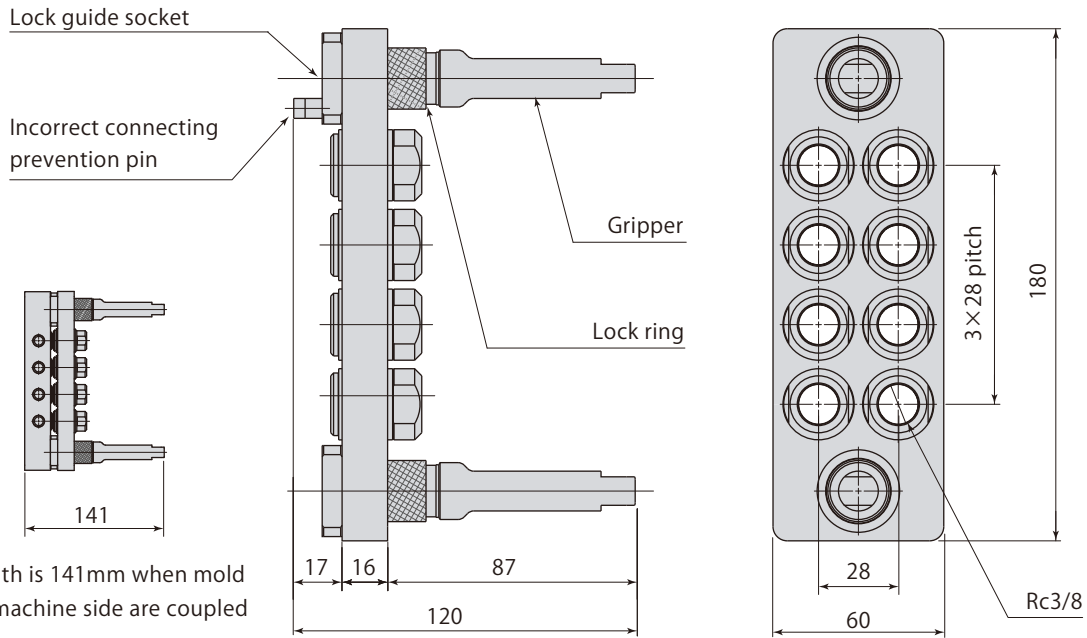
12 ports Mold side

MCA 03 - 12 P - A 1



8 ports Machine side

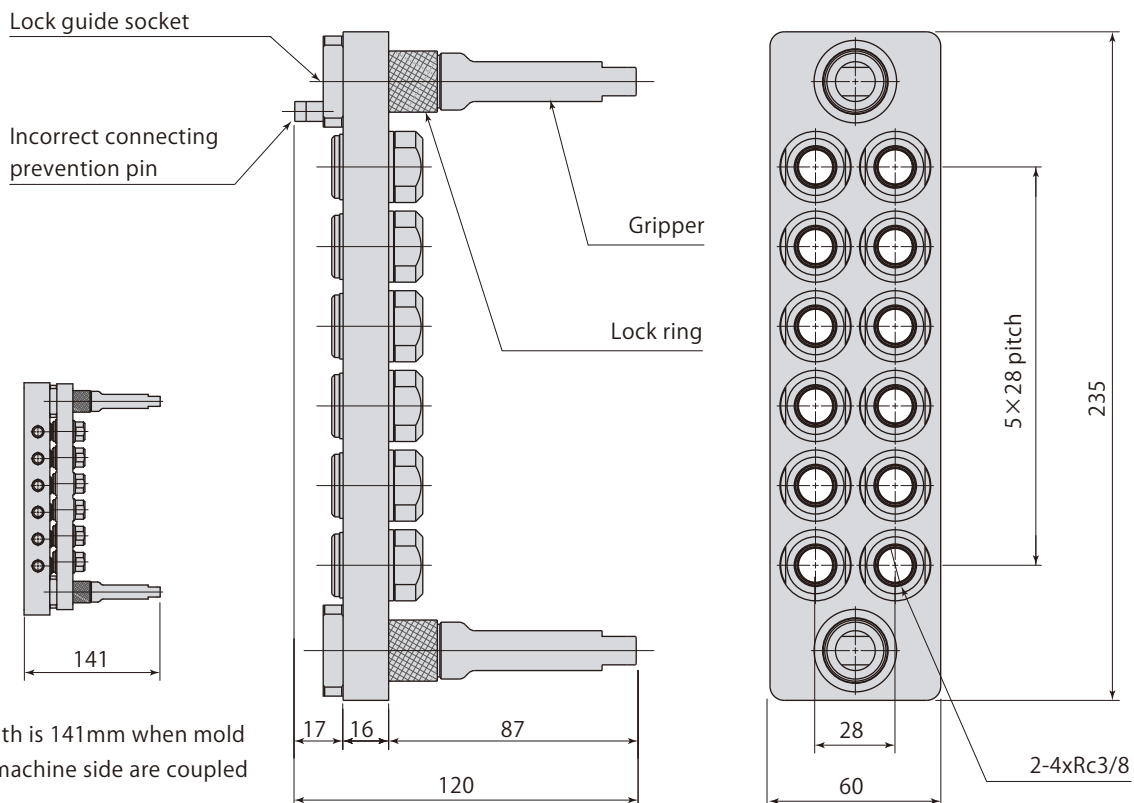
MCA 03 - 08 S - A



The breadth is 141mm when mold side and machine side are coupled together.

12 ports Machine side

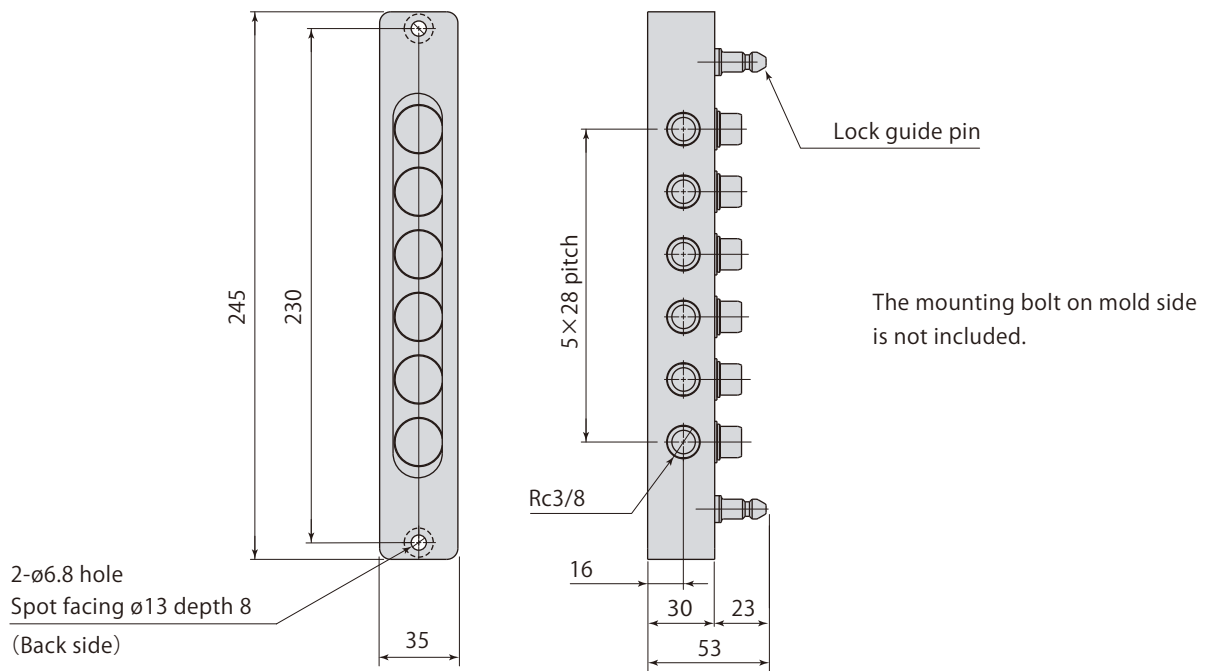
MCA 03 - 12 S - A



The breadth is 141mm when mold side and machine side are coupled together.

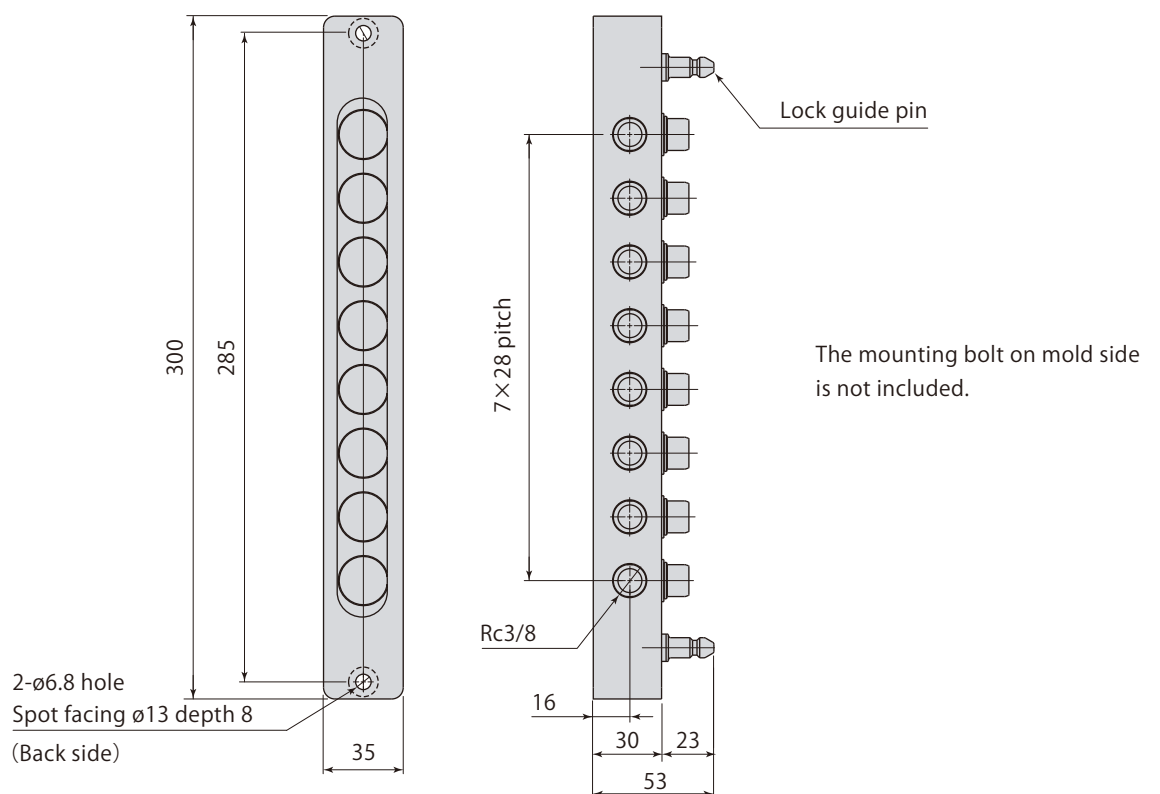
6 ports Mold side

MCA 03 - 06 P - B 1



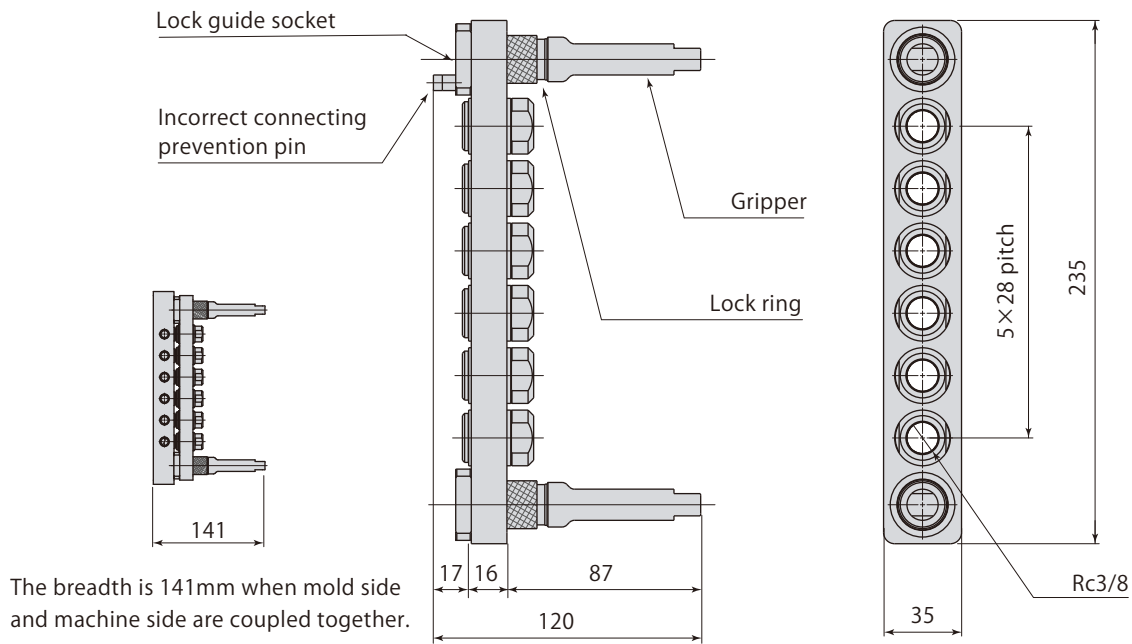
8 ports Mold side

MCA 03 - 08 P - B 1



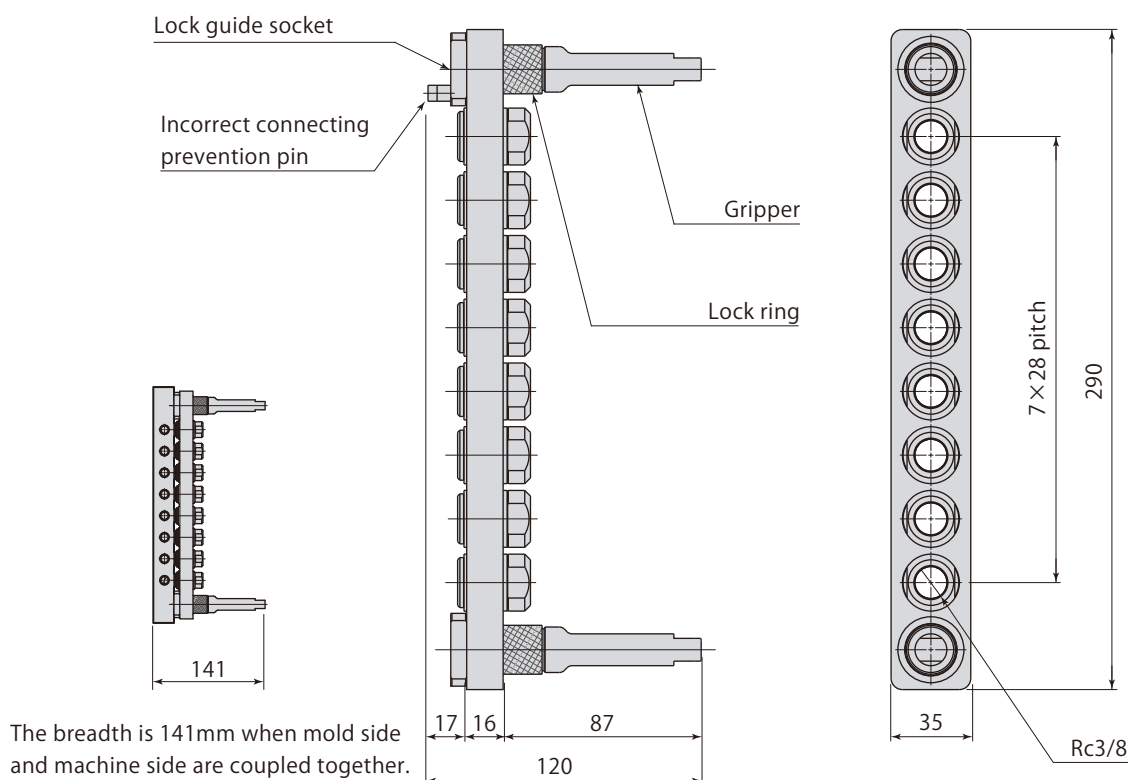
6 ports Machine side

MCA 03 - 06 S - B



8 ports Machine side

MCA 03 - 08 S - B



Model designation

MCA 03 - 08 P - A 1

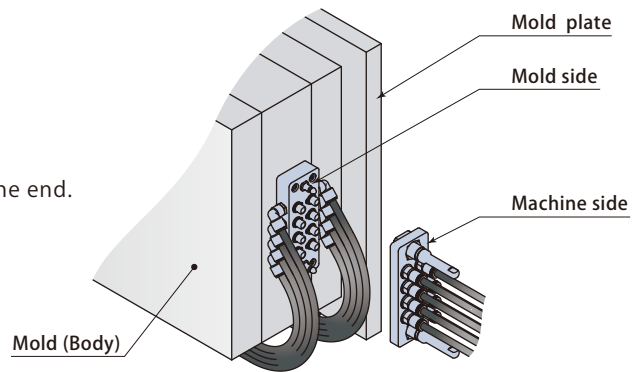
Connection port
 02 : Rc1/4 03 : Rc3/8

Number of port
 6 ports, 8 ports, 12 ports

Machine side / Mold side
 S : Machine side P : Mold side

Row type
 A : Double row type B : Single row type

For Mold side ,
 1 is added in the end.



Connection port	Number of port	Machine/Mold side	Mass kg	Model	Row type
Rc1/4	8 ports	Machine side	1.1	MCA02 -08S -A	Double row type
		Mold side	0.8	MCA02 -08P -A1	
	12 ports	Machine side	1.4	MCA02 -12S -A	
		Mold side	1.0	MCA02 -12P -A1	
	6 ports	Machine side	0.9	MCA02 -06S -B	Single row type
		Mold side	0.6	MCA02 -06P -B1	
	8 ports	Machine side	1.1	MCA02 -08S -B	
		Mold side	0.8	MCA02 -08P -B1	
Rc3/8	8 ports	Machine side	1.2	MCA03 -08S -A	Double row type
		Mold side	1.0	MCA03 -08P -A1	
	12 ports	Machine side	1.5	MCA03 -12S -A	
		Mold side	1.3	MCA03 -12P -A1	
	6 ports	Machine side	1.0	MCA03 -06S -B	Single row type
		Mold side	0.8	MCA03 -06P -B1	
	8 ports	Machine side	1.1	MCA03 -08S -B	
		Mold side	1.0	MCA03 -08P -B1	

Model		MCA02	MCA03
Connection port		Rc1/4	Rc3/8
Min. Passage area (per 1 port)	mm ²	57	86
Number of ports		6, 8, 12	
Max. working pressure	At connection	MPa 0.8	
	At disconnection	Open	
Body material	Coupler	Stainless steel (Surface treatment: Electrolytic nickel plating)	
	Plate	Aluminium alloy (Surface treatment: Electrolytic nickel plating)	
	Lock guide	Carbon steel (Surface treatment: Electrolytic nickel plating)	
Material of seal		Nitrile rubber (NBR)	
Fluid		Water,Air ,General mineral based hydraulic oil	
Operating temperature		°C 0 ~ 70 (No freezing)	

● Select the multi coupler check valve model MCB in case that the operating temperature is over 70°C .

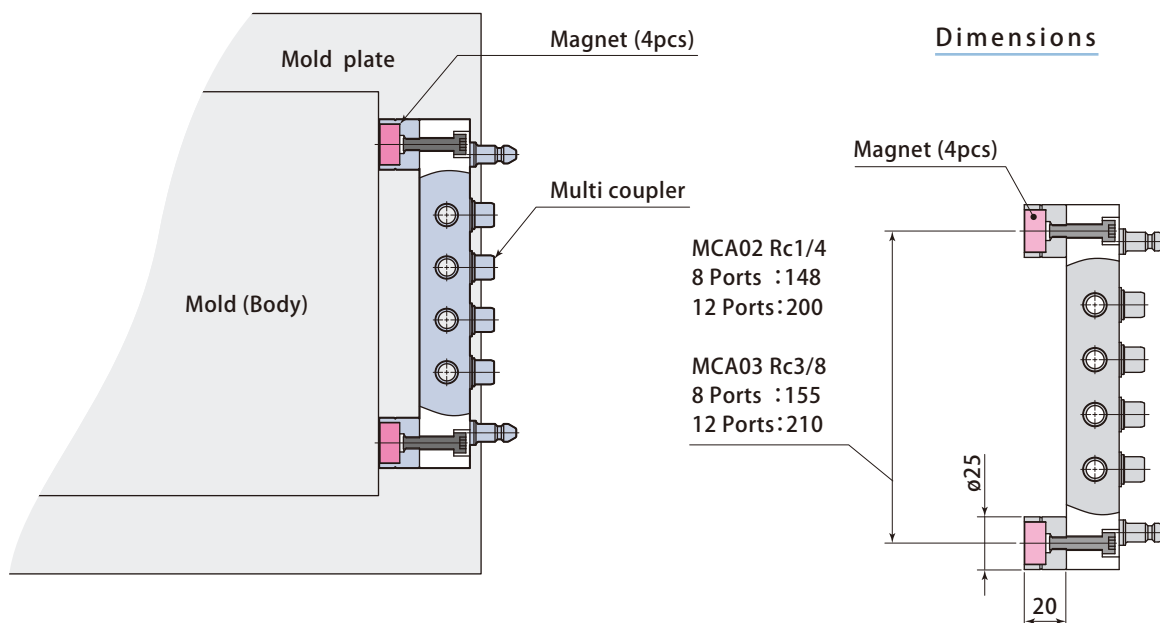
The multi coupler and mold can be installed by one touch operation with powerful permanent magnet.

Model designation

Double row type MCA – **MG** – **A**

Connection port	Number of port	Magnet mounting model	Row type
Rc1/4	8 ports	MCA-MG-A	Double row type
	12 ports		
	6 ports	—	Single row type
	8 ports		
Rc3/8	8 ports	MCA-MG-A	Double row type
	12 ports		
	6 ports	—	Single row type
	8 ports		

* The double row type is applicable for mounting the magnet. The single row type can not be applied.



● Accessory is not included. Purchase it separately.

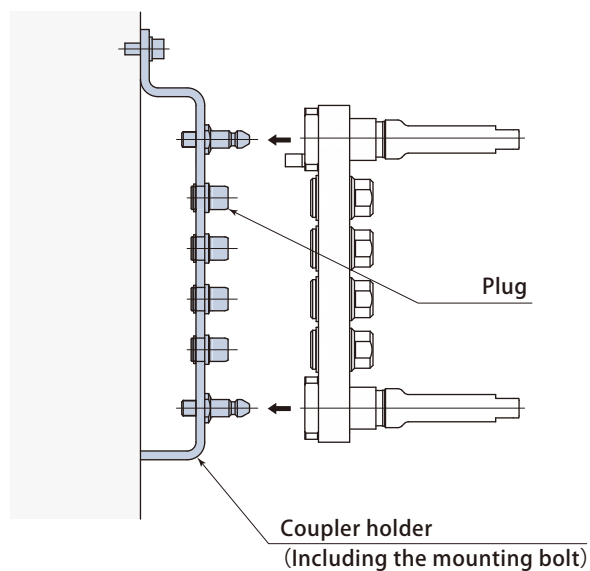
Temporary holder for multi coupler

The plug is provided to coupler holder and the fluid does not leak outside even when couplers are pressurized the machine side.

Model designation

MCA 03 - 08 H - A

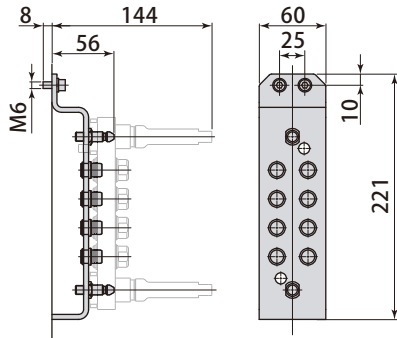
Connection port	Number of port	Coupler holder model	Row type
Rc1/4	8 ports	MCA02-08H-A	Double row type
	12 ports	MCA02-12H-A	
	6 ports	MCA02-06H-B	Single row type
	8 ports	MCA02-08H-B	
Rc3/8	8 ports	MCA03-08H-A	Double row type
	12 ports	MCA03-12H-A	
	6 ports	MCA03-06H-B	Single row type
	8 ports	MCA03-08H-B	



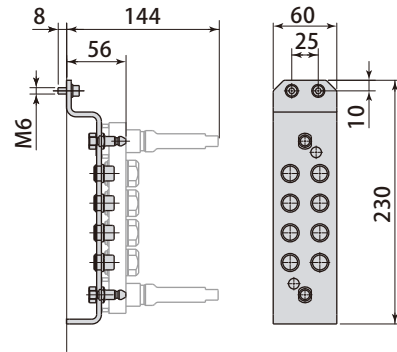
- Accessory is not included. Purchase it separately.

Dimensions

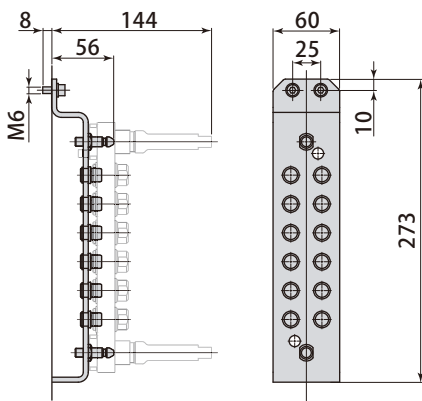
MCA02-08H-A



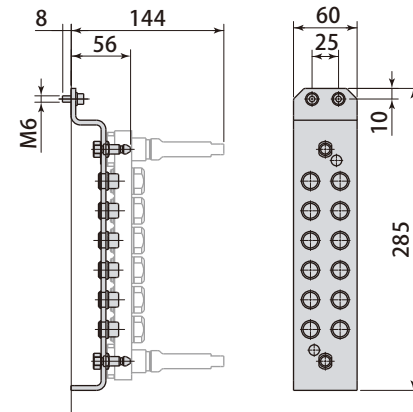
MCA03-08H-A



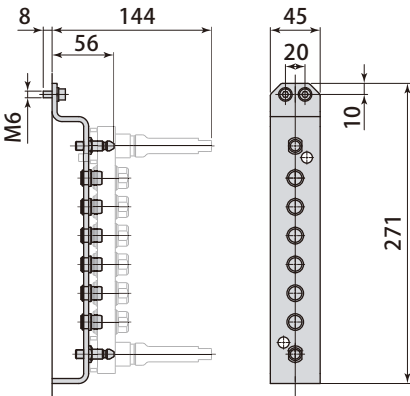
MCA02-12H-A



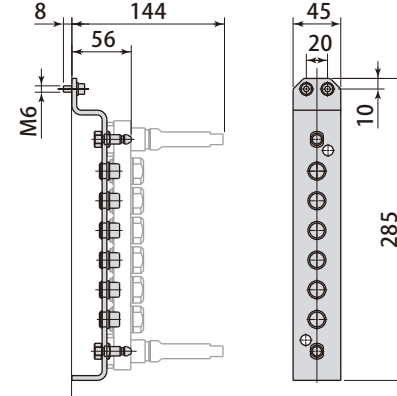
MCA03-12H-A



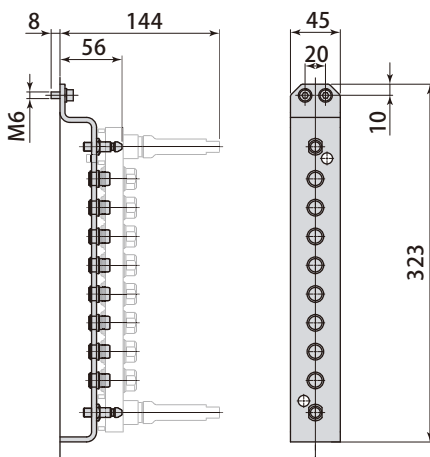
MCA02-06H-B



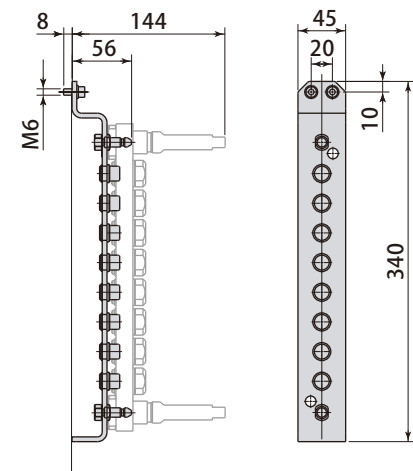
MCA03-06H-B



MCA02-08H-B



MCA03-08H-B



Pascal

corporation

Itami, Hyogo, Japan 664-8502
TEL. +81-72-777-3333 FAX. +81-72-777-3520

Chicago, U.S.A.	TEL. +1-847-427-1234
Stuttgart, Germany	TEL. +49-711-782-850-0
Dalian, China	TEL. +86-411-8732-2988
Shanghai, China	TEL. +86-21-5263-4122
Changwon, Korea	TEL. +82-55-274-0971
Bangkok, Thailand	TEL. +66-2173-5855

