

# Pascal expansion **S** clamp

double acting

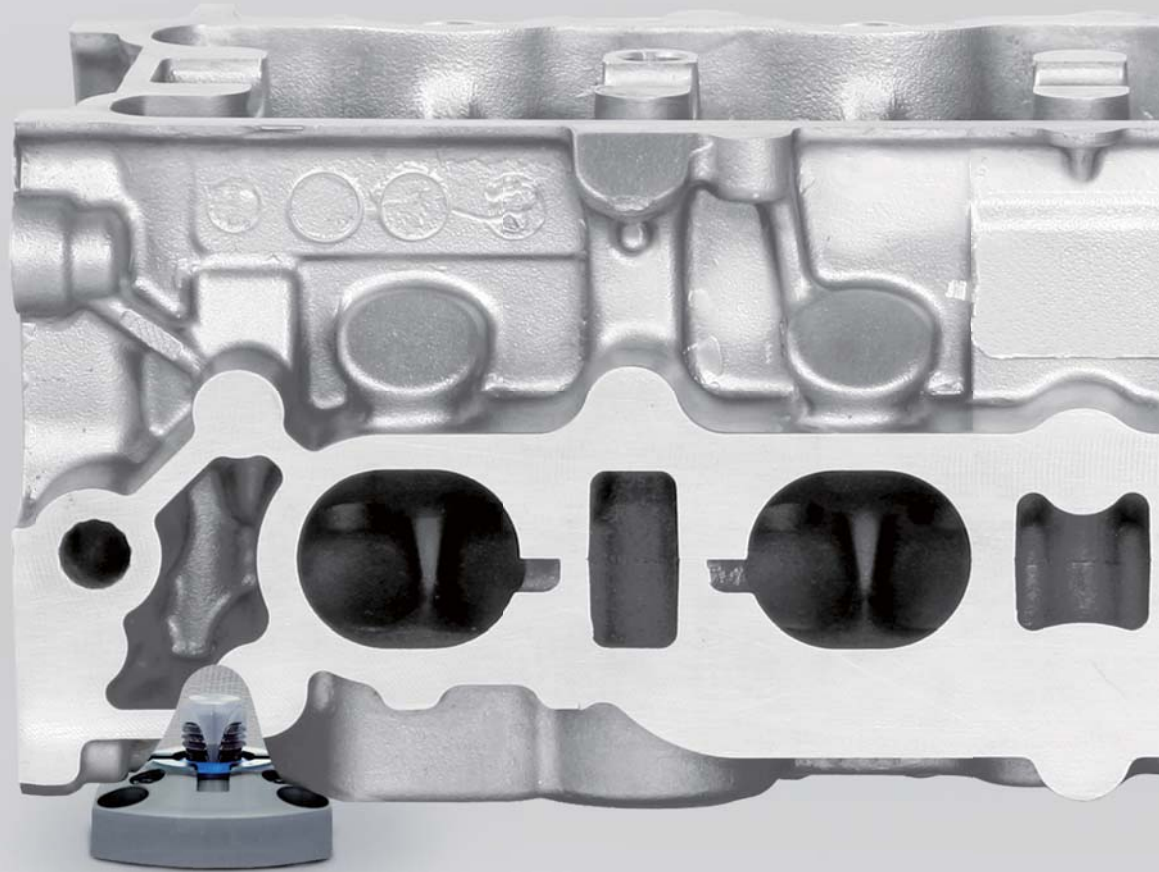
7MPa Double acting model CGS

Innovative workpiece clamping tool



**Pascal**  
[www.pascaleng.co.jp](http://www.pascaleng.co.jp)

# The revolution of machining starts

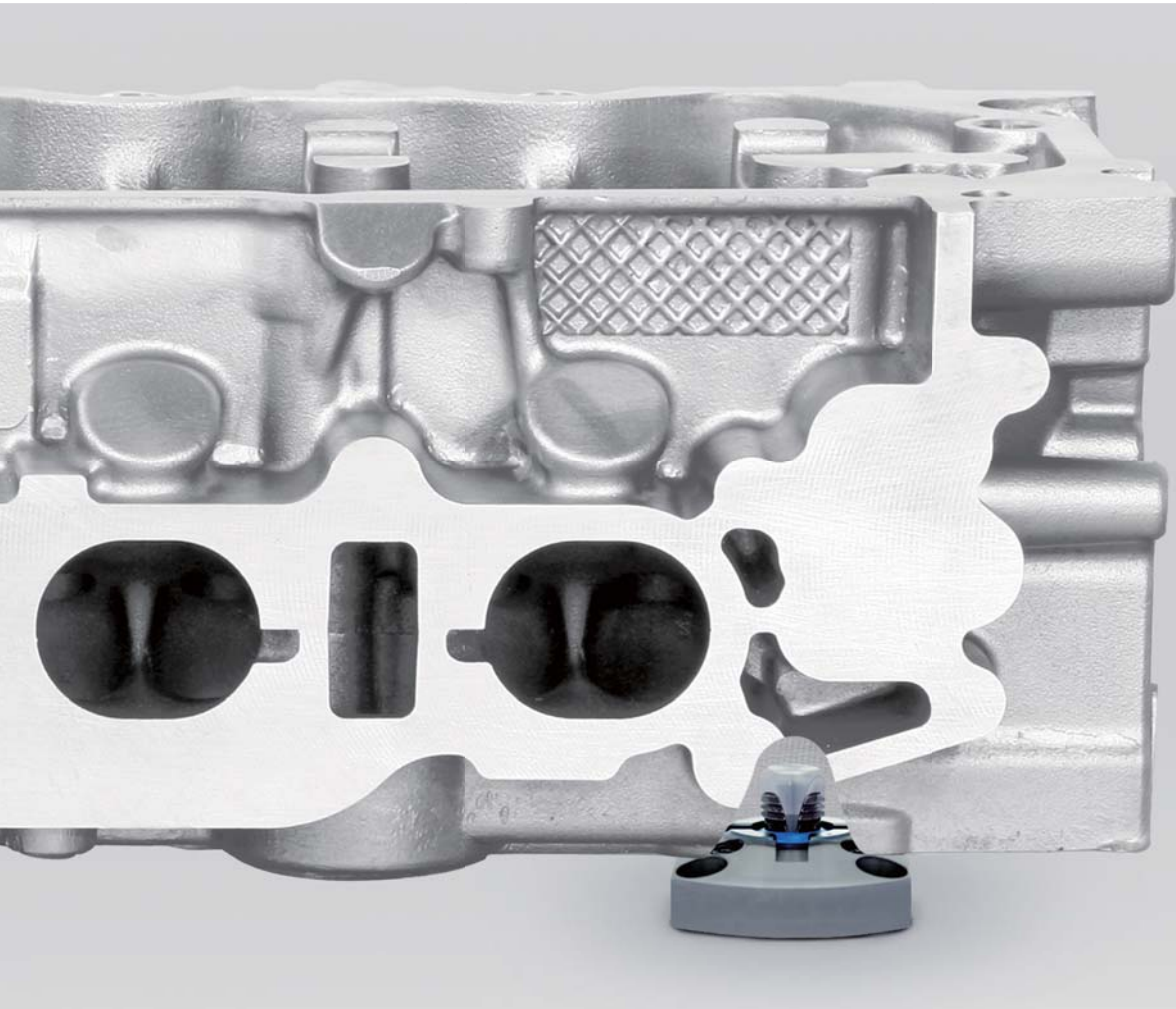


Cylinder Block & Head, Transmission case

Pascal expansion clamps are used in variety of



## with the Pascal expansion clamp



& housing, knuckle, carrier, ABS, and Valve body...  
automobile parts machining processes all over the world.

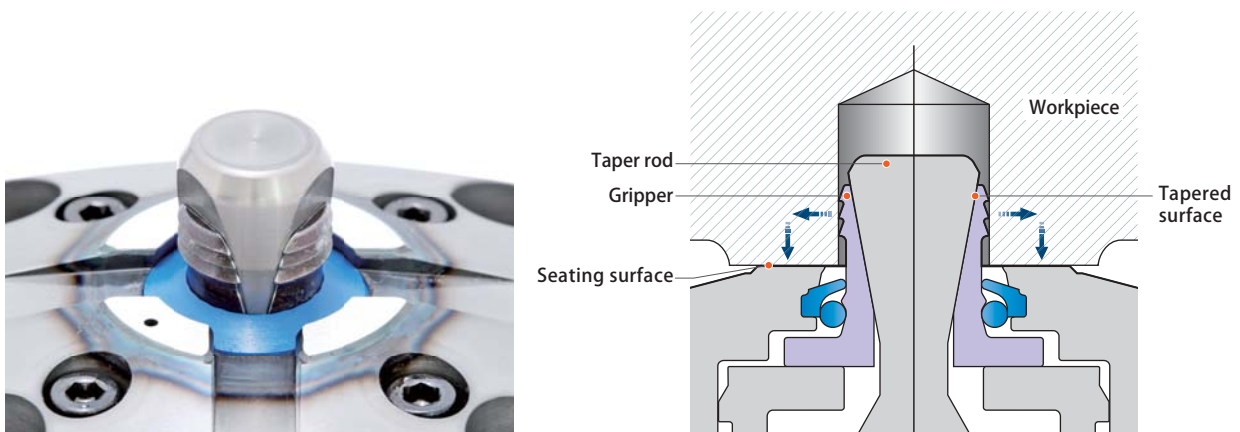




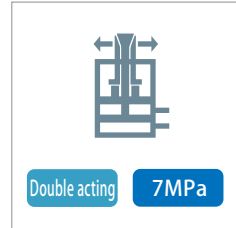
**Maximize performance by minimizing tool length.**



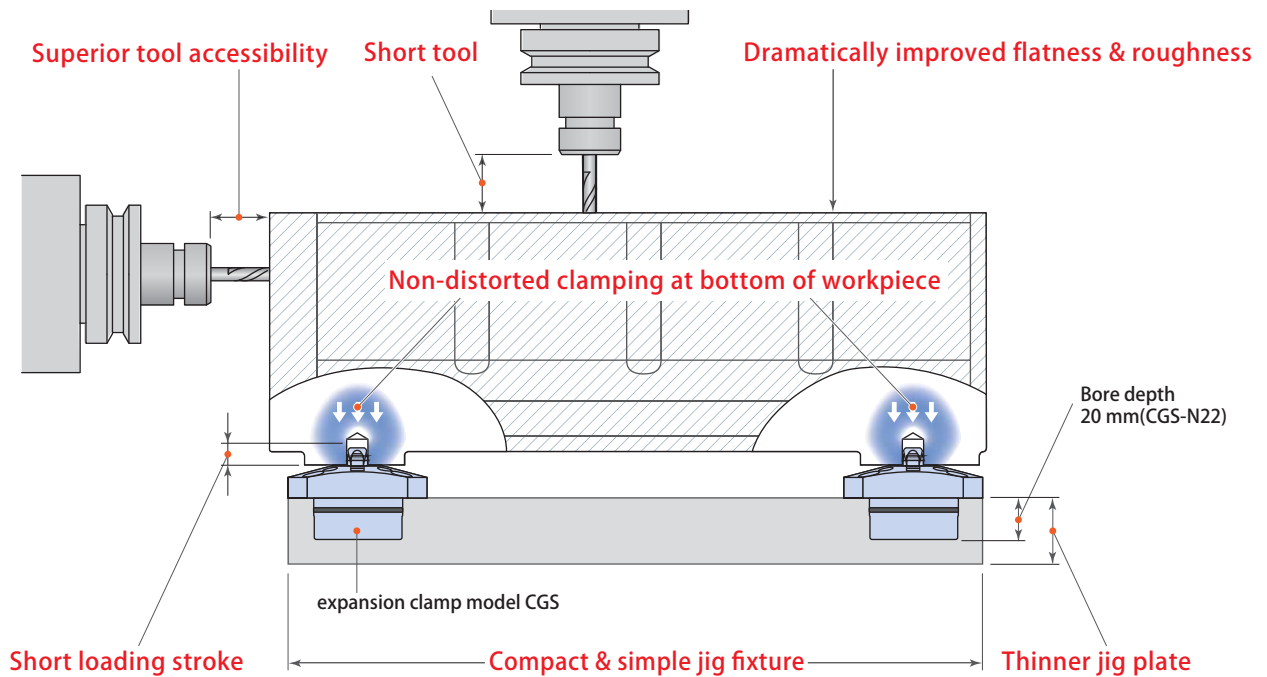
The expansion clamp holds firmly to the clamping hole at the bottom of workpiece and clamps it firmly down to the seating surface by utilizing taper rod and tapered surface of gripper. Clamping force is transmitted directly to seating surface and holds workpiece in place firmly without any distortion or deflection, making high grade and stable machining possible.



## Expansion clamp

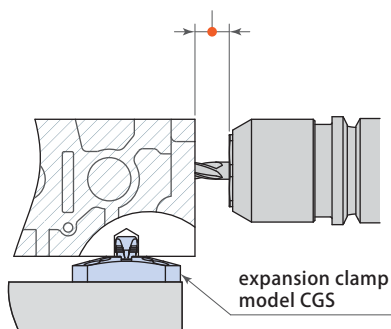
model  
CGS

## Innovative workpiece clamping tool

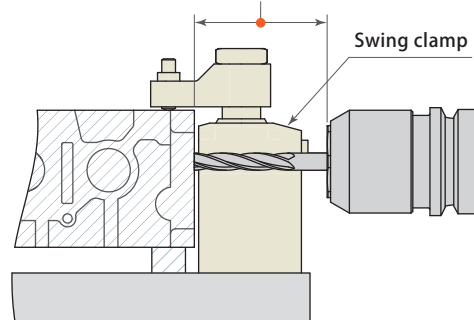


- ① Clamping at the bottom of the workpiece makes the shortest tool machining possible and helps to improve the grade and efficiency in machining process.
- ② Clamping at the bottom of workpiece dramatically improves flatness/roughness.
- ③ Jig costs are reduced thanks to a simple and compact jig structure.
- ④ Compact fixture takes minimum space and minimizes length of machine line.
- ⑤ Simple fixture assists in eliminating metal chip pile-up.
- ⑥ Shallow bore makes thin fixture plate possible.
- ⑦ Compact, lightweight fixture makes high-speed cutting process possible.
- ⑧ Low-profile gripper design allows minimization of lift stroke of workpiece transfer unit, making it possible to improve loader system.
- ⑨ Clamping at the bottom of the workpiece is an ideal method for 5-plane machining.

## Superior tool accessibility

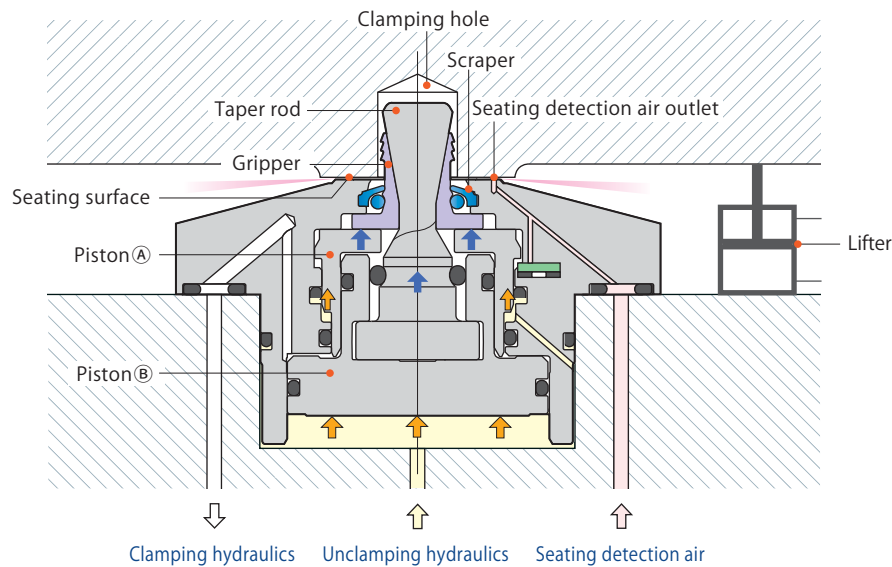


## Interference caused by a work clamp will require a longer tool length



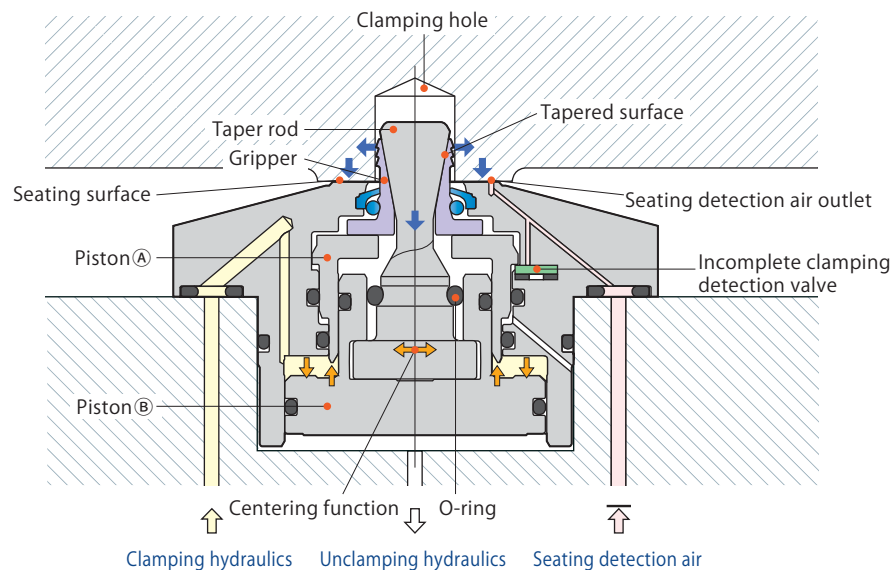
### Workpiece setting

- ① Pistons ① & ②, as well as taper rod and gripper are raised by unclamping hydraulics.
- ② Set the workpiece onto the seating surface. In order to detect if actual unclamping has occurred using the air sensor, allow air needed to confirm seating to flow by using cylinder (or similar) to lift work up during unclamping.



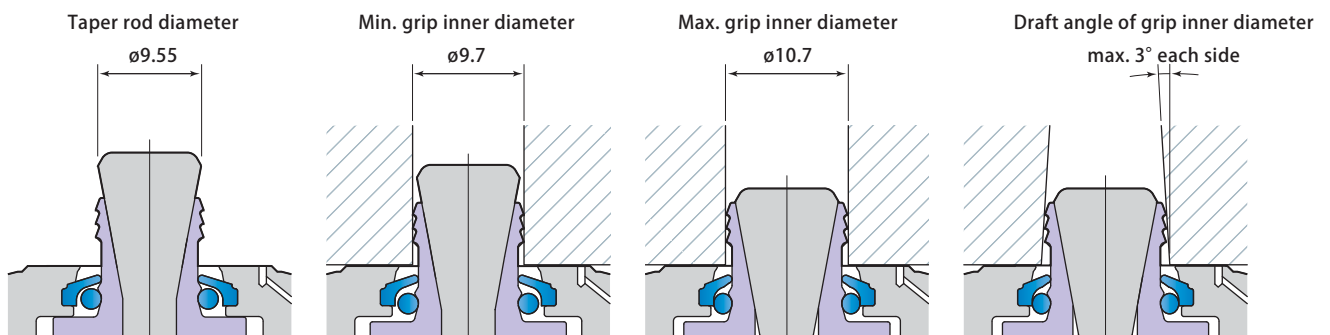
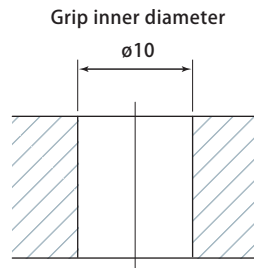
### Workpiece holding

- ① Release unclamping hydraulics and apply clamping hydraulic pressure. Piston ① will remain in upright position as piston ② and taper rod are lowered.
- ② As piston ① remains in upright position, the gripper is expanded horizontally along the tapered surface of the taper rod to grip clamping holes.
- ③ The gripper securely grips the internal face of the clamping holes and pulls the workpiece down firmly onto the seating surface.
- ④ Workpiece holding is completed by the seating detection air sensor, clamping and unclamping hydraulic pressure.



### Large gripper expansion stroke

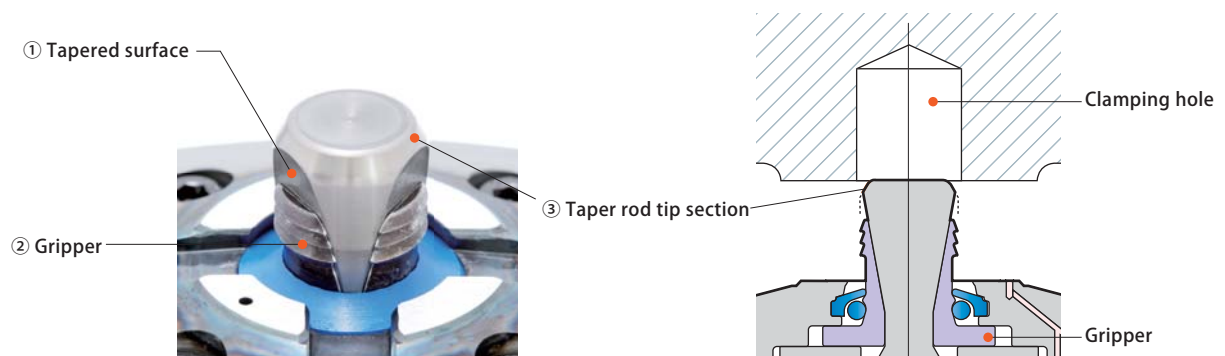
The gripper expands horizontally by 1.0mm, which enables the accommodation of dimensional variations in diecast bore diameters and ensures workpiece is held securely.



(Example : model CGS-N22E10)

### Taper rod and gripper with superior durability

- ① The gripping force of expansion clamp is transmitted from tapered surface to gripper, making it possible for the gripper to hold onto inner diameter of workpiece and hold the workpiece on the seating surface for secure workpiece clamping.
- ② Special steel with superior abrasion resistance is used for gripper to improve durability.
- ③ Tip section of taper rod has larger diameter than gripper and is well chamfered to be a better guide when setting the workpiece.



### Detects deformation of workpiece and floating of workpiece resulting in faulty setting

When workpiece has significant deformation or when it is set poorly with space of 1.2 mm above seating surface (Figure 1-a) or when metal chips are caught by clamp (Figure 1-b), the workpiece is not held on seating surface and air sensor is unable to detect seating and this confirms incomplete clamping.

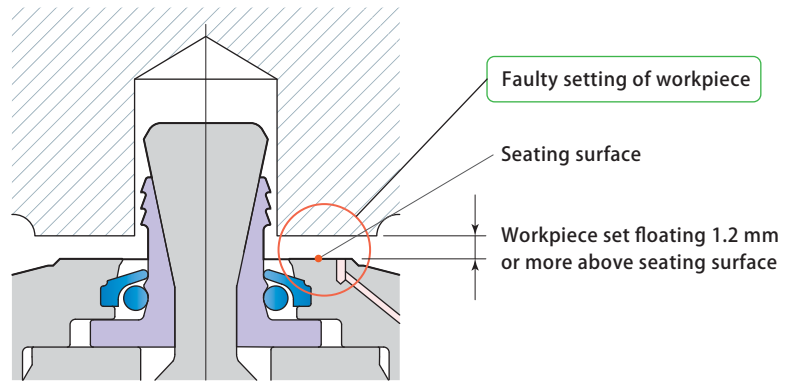


Figure 3-a

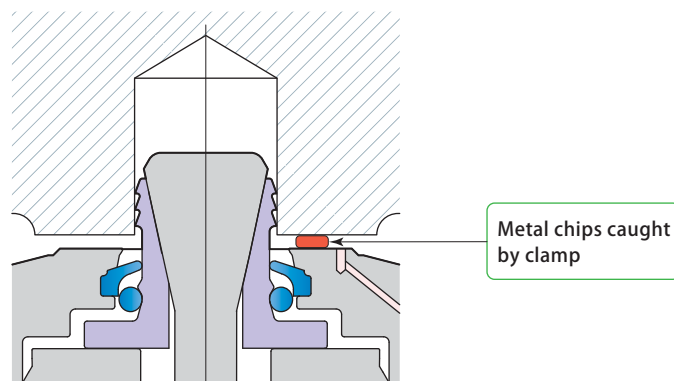
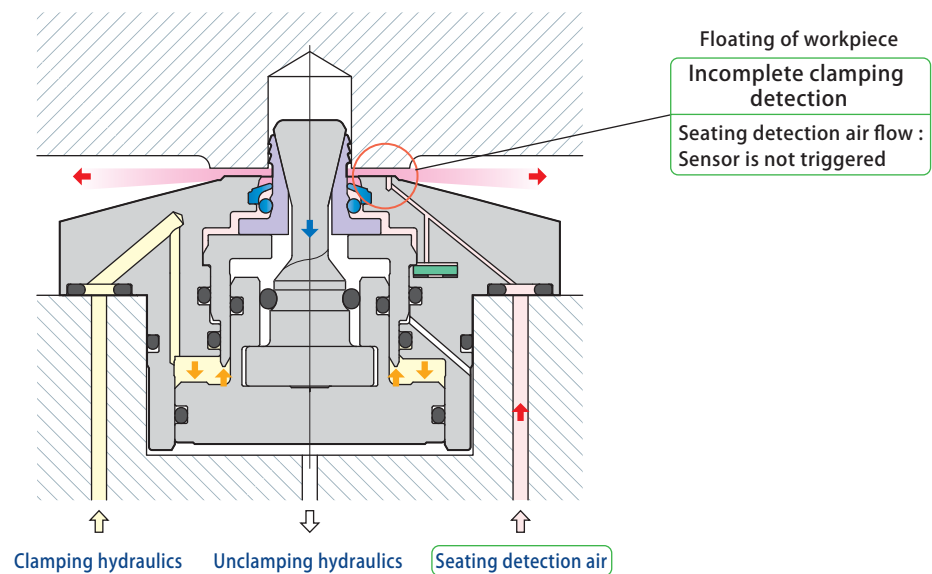


Figure 3-b

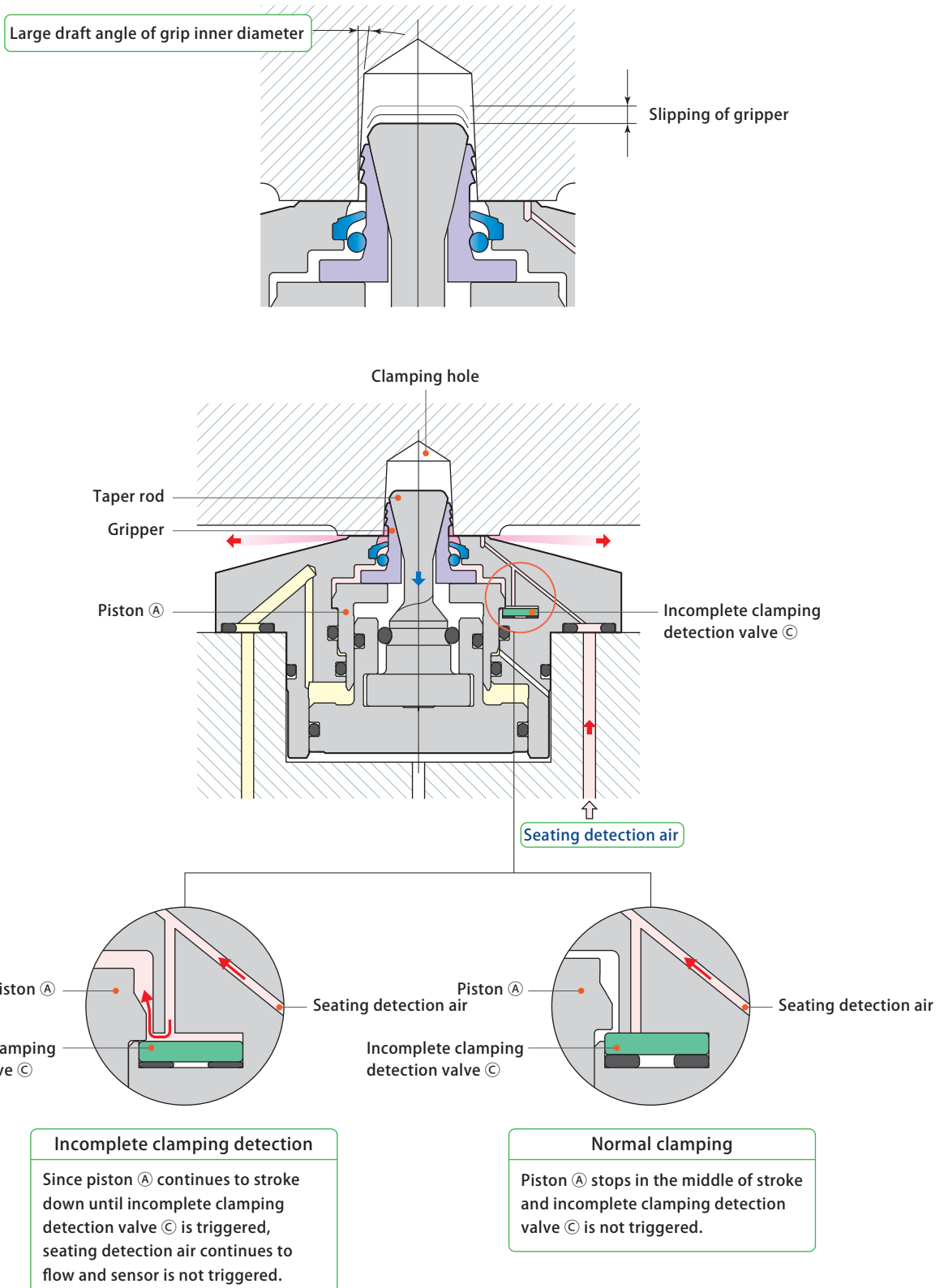




Detects incomplete gripping

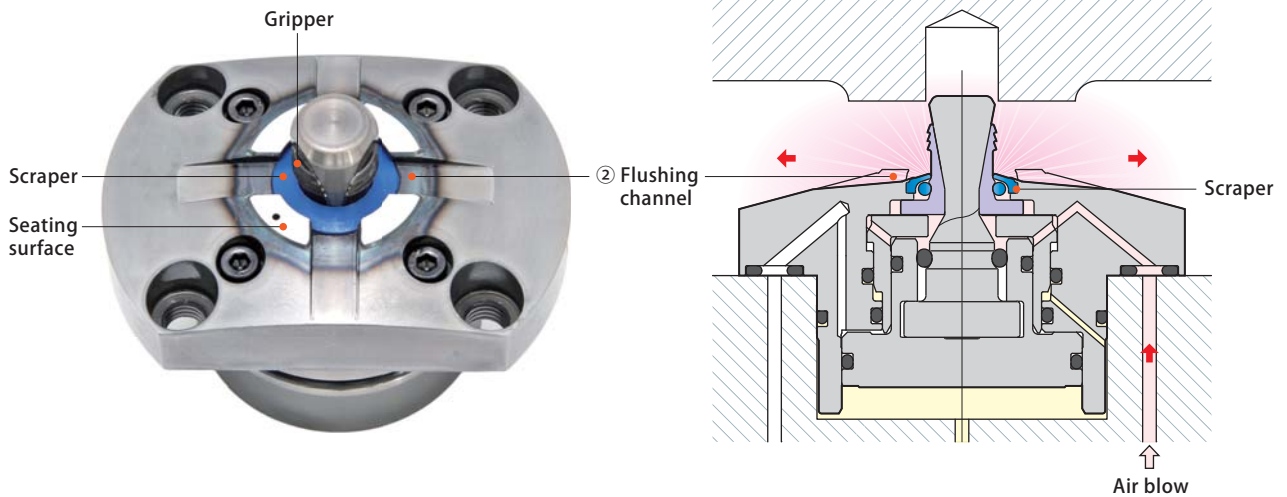
PAT. JP4297511

When gripper fails to grip properly due to large draft angle of grip inner diameter, piston ① continues to stroke down until incomplete clamping detection valve ③ is triggered. Since seating detection air is released, air sensor is unable to detect seating of workpiece and this confirms incomplete clamping.



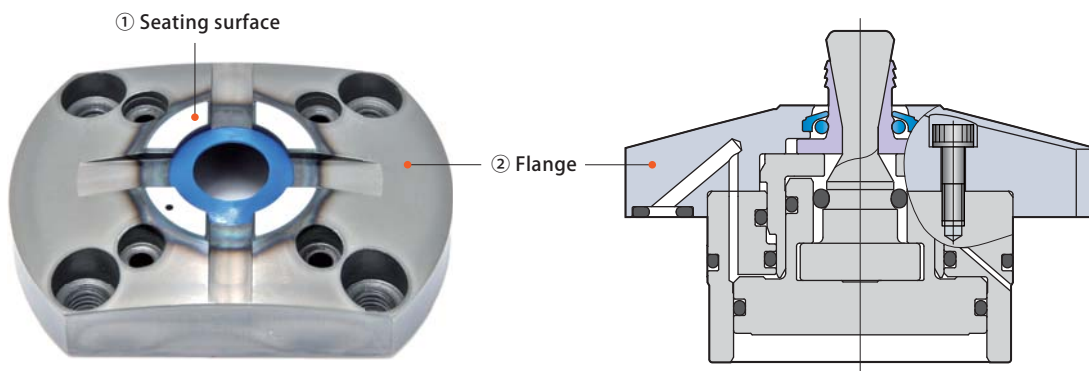
### Incorporating strong air blowing circuit

- ① Air blown from a space between the gripper and scraper clears off metal chips and coolant that stay on the seating surface.
- ② Flushing channel is also provided on the seating surface to remove the metal chips and coolants smoothly during workpiece setting.

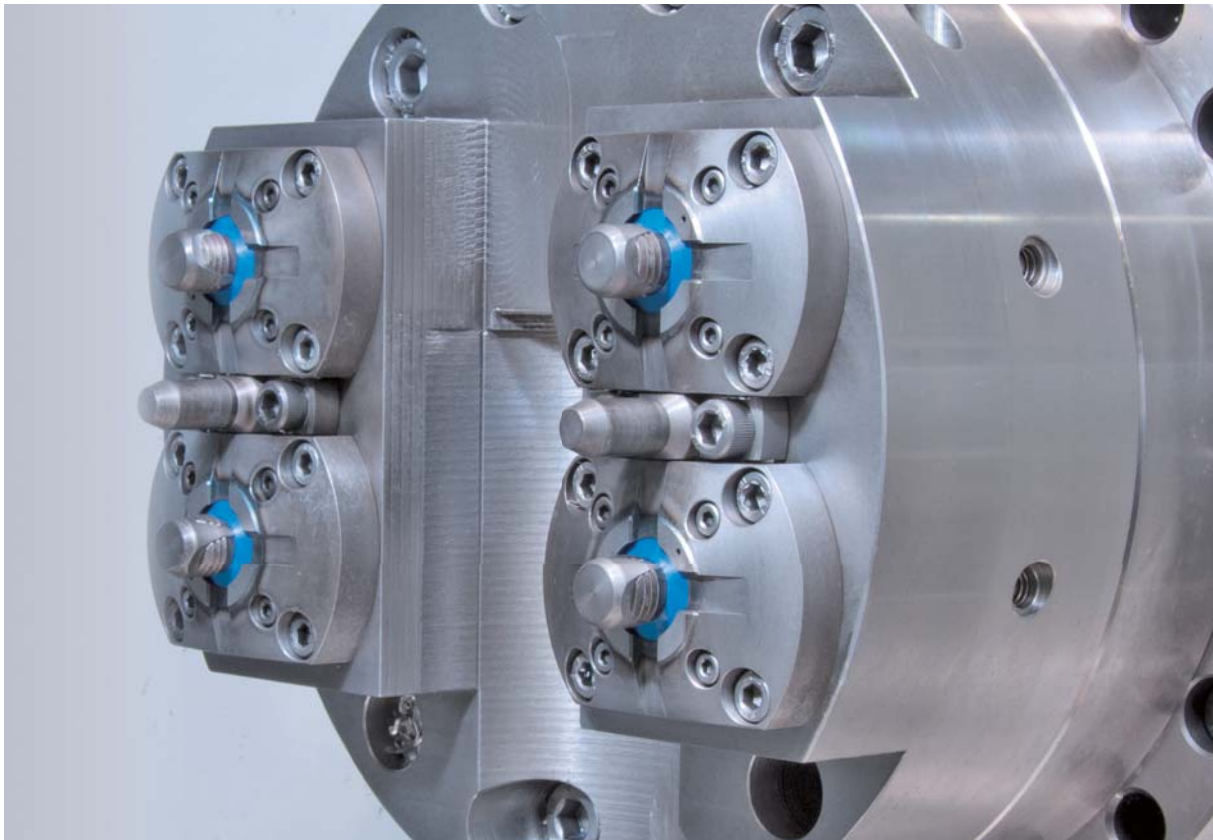
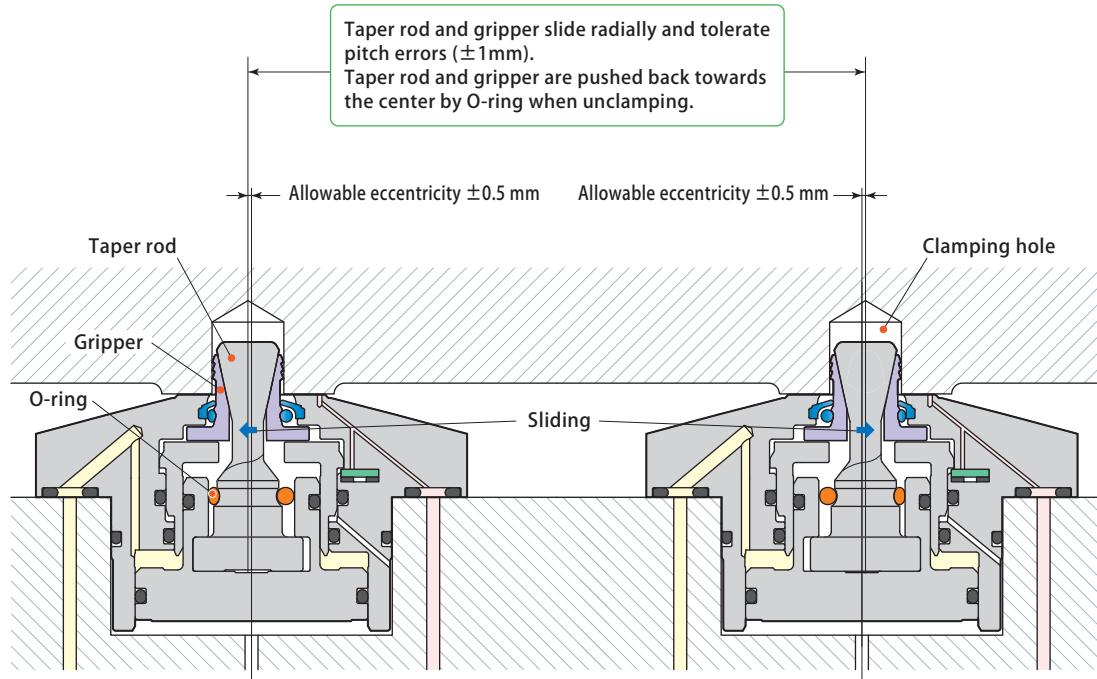


### Seating surface can be reground (max.0.1 mm)

- ① When seating surface is damaged, the flange section can be dismantled and reground.
- ② Flange can be easily dismantled and reassembled at production site.



### Clamping hole pitch errors can be tolerated



With the development of the non-constant air blow expansion clamp, air consumption will be significantly decreased. The traditional model ordinarily requires 50 ℓ /min (0.3MPa) flow rate (when grip inner diameter is  $\varnothing 12$ ). The new model

Refer to page → 13 to 18

### 3 Grip $\varnothing 11 \sim \varnothing 20$ Non-constant air blow model

Grip inner diameter	Clamping force (hydraulic pressure 7 MPa)	Model
$\varnothing 11$ 12 13 14 15 16	3.6 kN	CGS-N22E <small>[Grip inner diameter]</small> *1
$\varnothing 12$ 13 14 15 16	7.5 kN	CGS-N23E <small>[Grip inner diameter]</small>
$\varnothing 17$ 18 19 20	13.4 kN	CGS-N24E <small>[Grip inner diameter]</small>

$\varnothing 12 \sim \varnothing 16$  has been available in two different models of the clamping force

\*1:  $\varnothing 9$ ,  $\varnothing 10$  (CGS-N22E) are using the same cylinder.



Refer to page → 19 and 20

### 2 Grip $\varnothing 9, \varnothing 10$ Non-constant air blow model

Grip inner diameter	Clamping force (hydraulic pressure 7 MPa)	Model
$\varnothing 9$ 10	3.6 kN	CGS-N22E <small>[Grip inner diameter]</small> *1

\*1 :  $\varnothing 11 \sim \varnothing 16$  (CGS-N22E) are using the same cylinder.



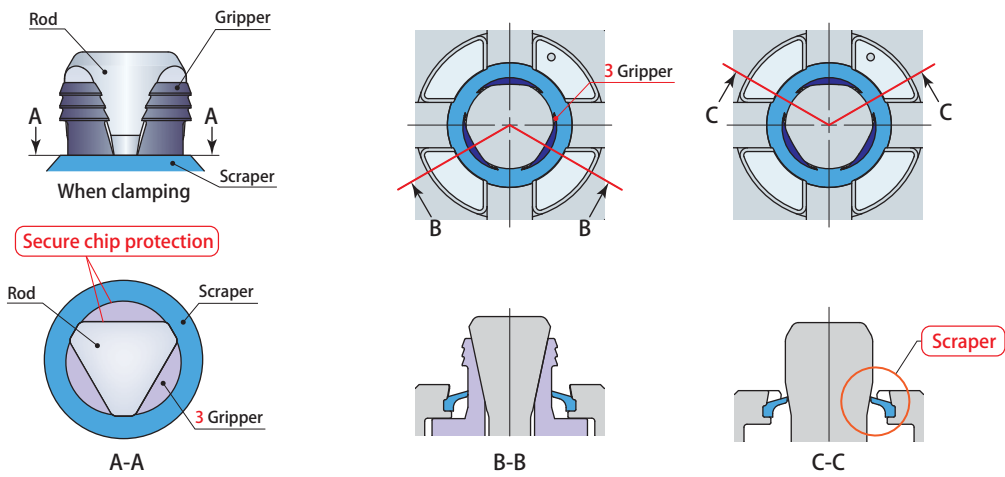
Refer to page → 21 and 22

### 4 Grip $\varnothing 6 \sim \varnothing 8$ Air blow model

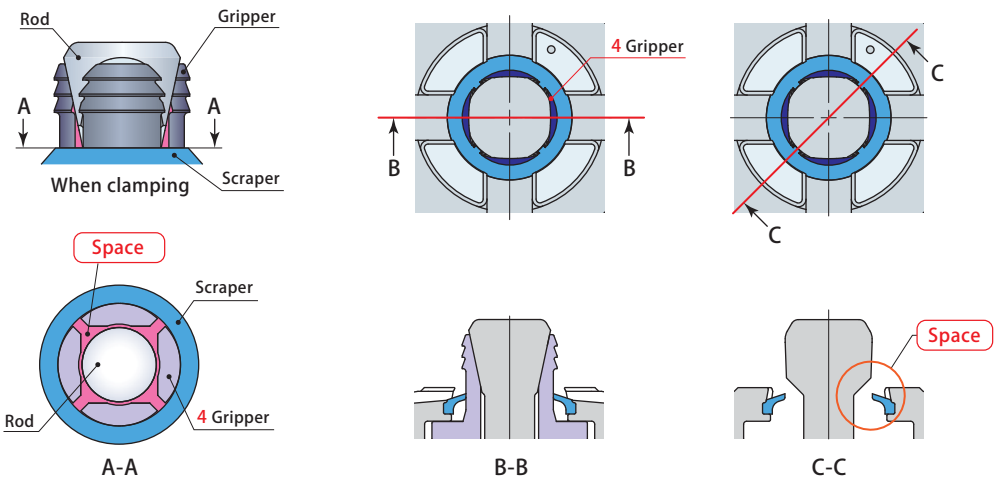
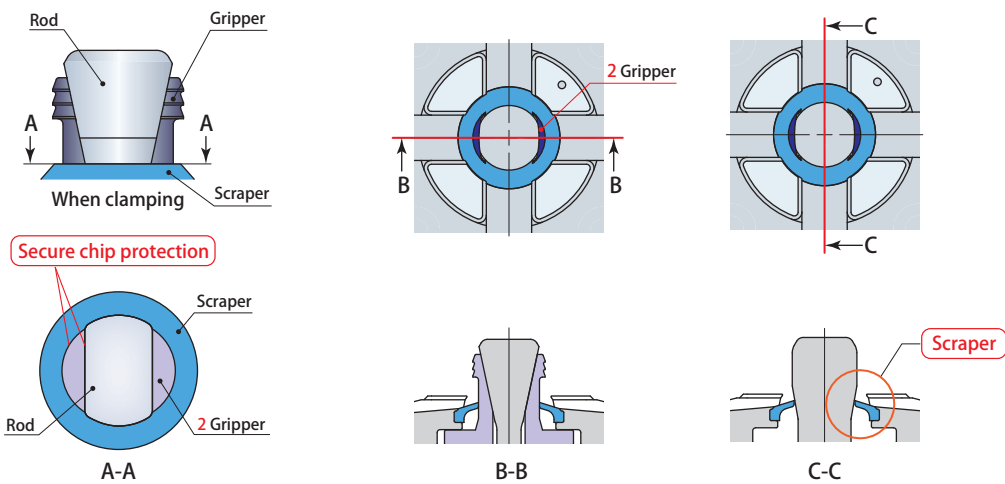
Grip inner diameter	Clamping force	Model
$\varnothing 6$	1.3 kN (hydraulic pressure 4 MPa)	CGS-N21-06
$\varnothing 7$ 8	2.2 kN (hydraulic pressure 7 MPa)	CGS-N21- <small>[Grip inner diameter]</small>



reduces air consumption and is measurably energy saving. Still, be sure to air blow at time of workpiece replacement.



Even for the areas where there is no gripper, air blow during cutting process is not necessary as chip intrusion is prevented thanks to the scraper.

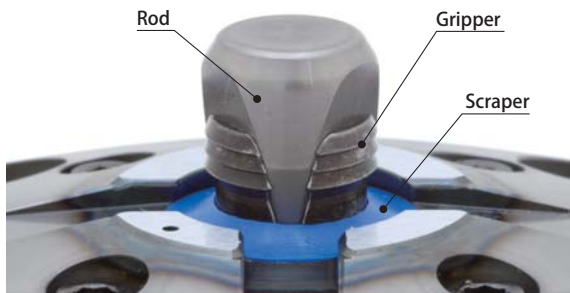


Constant air blow is necessary as sealing will not take place for the areas where there is no gripper.

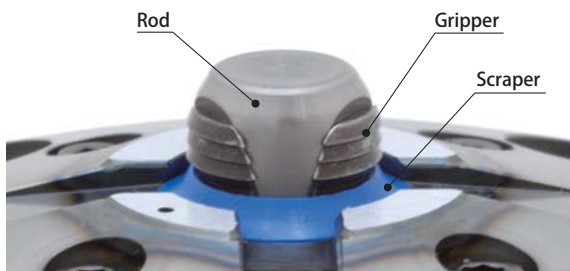
**3 Grip Non-constant air blow model**

Grip inner diameter	ø11 ø12 ø13 ø14 ø15 ø16
Model	CGS-N22E <span style="border: 1px solid black; padding: 0 2px;">Grip inner diameter</span> (Example : CGS-N22E11)
Clamping force	3.6 kN (hydraulic pressure 7 MPa)
Radial expansion force	11.1 kN (hydraulic pressure 7 MPa)

■ : made to order



Unclamp

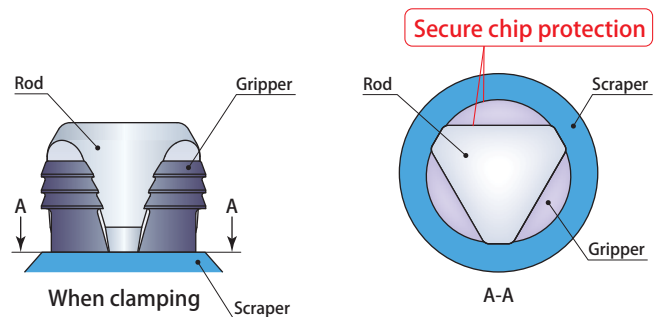


Clamp



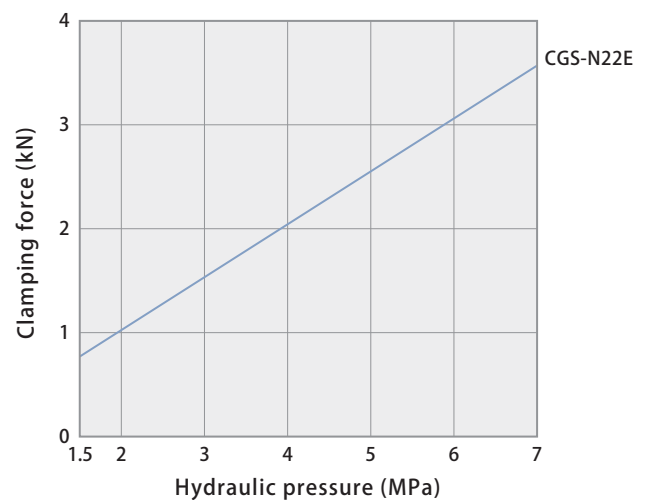
Model CGS-N22E with grip inner diameter ø11~ø16 :

During clamping, rod will stroke and expand scraper. Thanks to a new mechanism, open space is removed between rod, gripper, and scraper. As chip intrusion is prevented, air blow during cutting process has been eliminated. (Air blow will only be necessary during clamping and unclamping operation.) As a result, air consumption has been significantly reduced compared to the traditional model.

**Specifications**

Model		CGS-N22E <span style="border: 1px solid black; padding: 0 2px;">Grip inner diameter</span>
Number of grippers		3
Working pressure range (MPa)		1.5 ~ 7
Proof pressure (MPa)		10.5
Clamping force *1 (kN)		3.57
Radial expansion force *1 (kN)		11.1
Taper rod stroke (mm)		4.2
Clamp stroke (mm)		1.2
Cylinder capacity	Clamp (cm <sup>3</sup> )	2.5
	Unclamp (cm <sup>3</sup> )	3.9
Allowable eccentricity (mm)		± 0.5
Recommended air blow pressure (MPa)		0.3
Recommended seating detection air pressure (MPa)		0.2
Operating temperature (°C)		0 ~ 70
Fluid used		General mineral based hydraulic oil (ISO-VG32 equivalent)
Mass (kg)		0.37

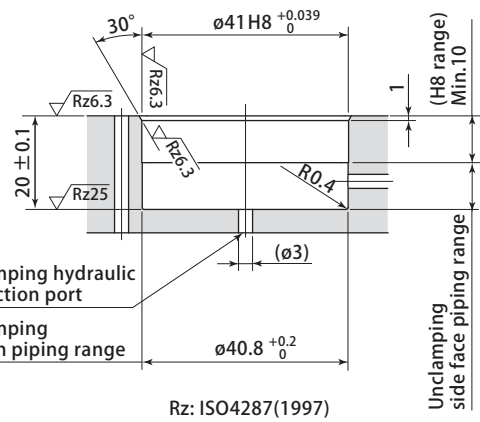
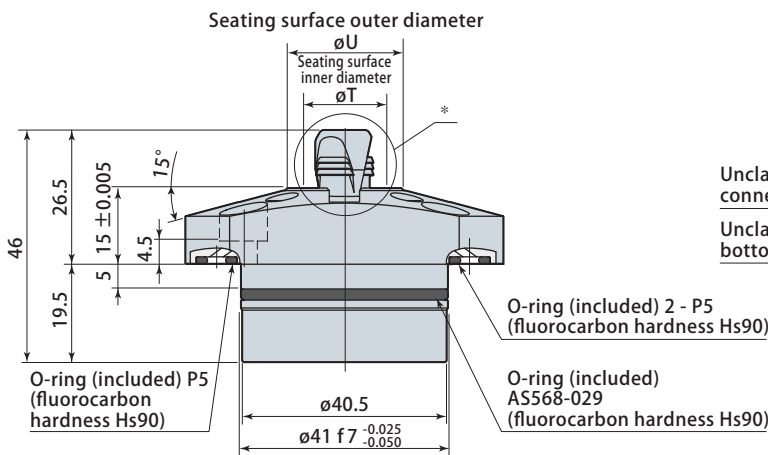
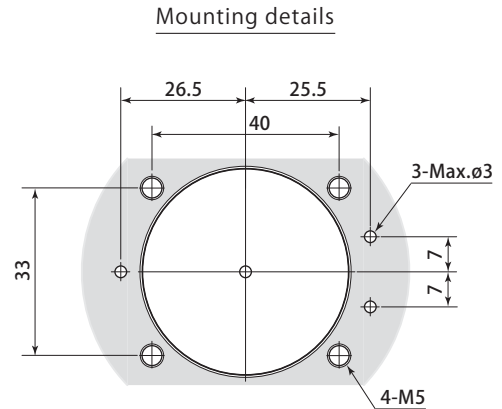
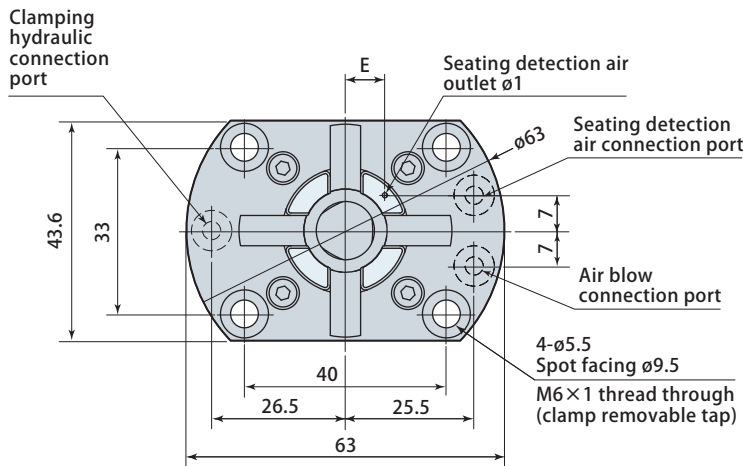
\*1: Capacity values for hydraulic pressure of 7 MPa are shown.

**Clamping force & hydraulic pressure**

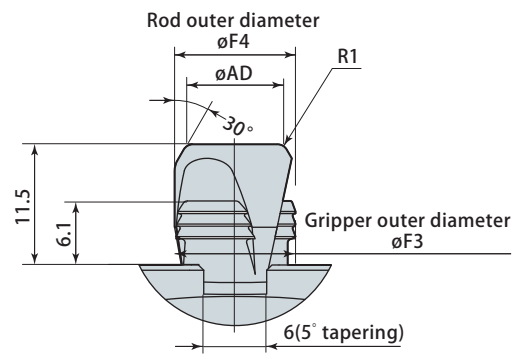
Hydraulic pressure (MPa)	1.5	2	3	4	5	6	7
Clamping force (kN)	0.77	1.02	1.53	2.04	2.55	3.06	3.57

$$F: \text{Clamping force (kN)} = 0.510 \times P: \text{Hydraulic pressure (MPa)}$$

CGS-N22E 11, 12, 13, 14, 15, 16

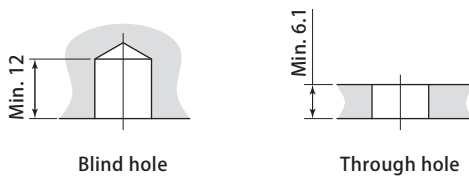


\*details



(mm)

Grip inner diameter usage requirements



Model	CGS-N22E Grip inner diameter					
Workpiece material (hardness)	Aluminum, steel and others (HRC30 or below). Cast iron also usable depending on conditions.					
Grip inner diameter (mm)	11	12	13	14	15	16
Allowable min. grip inner diameter (mm)	10.7	11.7	12.7	13.7	14.7	15.7
Allowable max. grip inner diameter (mm)	11.7	12.7	13.7	14.7	15.7	16.7
Grip inner diameter tapering angle (draft angle)	3° or below					
Grip inner diameter circularity	0.1 or below					

Please inquire if above terms are not applied.

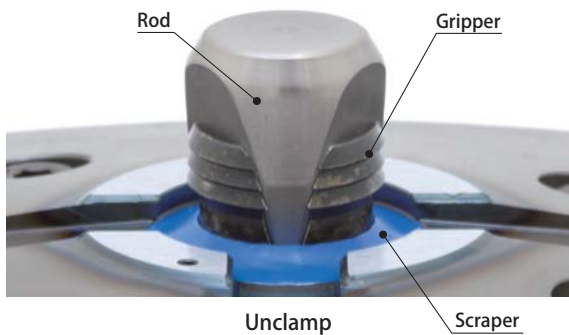
Model	CGS-N22E Grip inner diameter					
	11	12	13	14	15	16
E	7.1	7.8	8.5	9.1	9.7	10.4
F3	10.5	11.5	12.5	13.5	14.5	15.5
F4	10.55	11.55	12.55	13.55	14.55	15.55
T	15	16	17	18	19	20
U	23	24	25	26	27	28
AD	8.2	9.2	10.2	11.2	12.2	13.2

- Note1. Mounting screws are not included.
- 2. Included O-ring must be used at all times.
- 3. Seating surface hardness is HRC55.

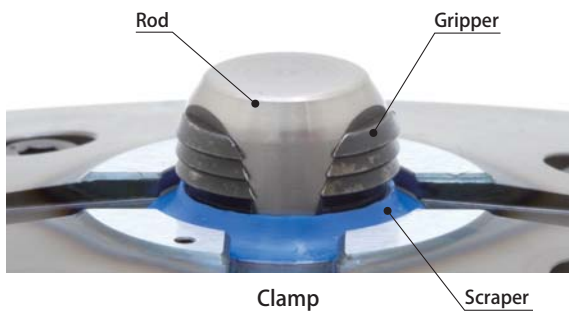
**3 Grip Non-constant air blow model**

Grip inner diameter	ø12 ø13 ø14 ø15 ø16
Model	CGS-N23E <span style="border: 1px solid black; padding: 2px;">Grip inner diameter</span> (Example : CGS-N23E12)
Clamping force	7.5 kN (hydraulic pressure 7 MPa)
Radial expansion force	23.3 kN (hydraulic pressure 7 MPa)

■ : made to order



Unclamp

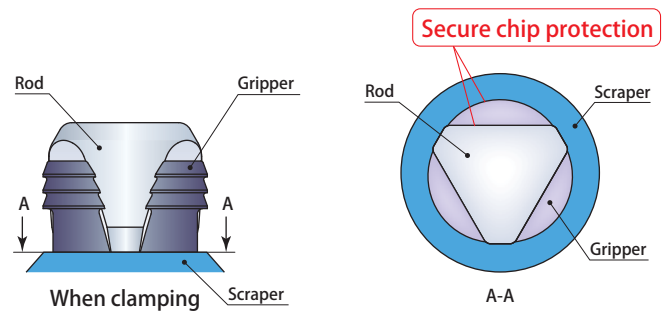


Clamp



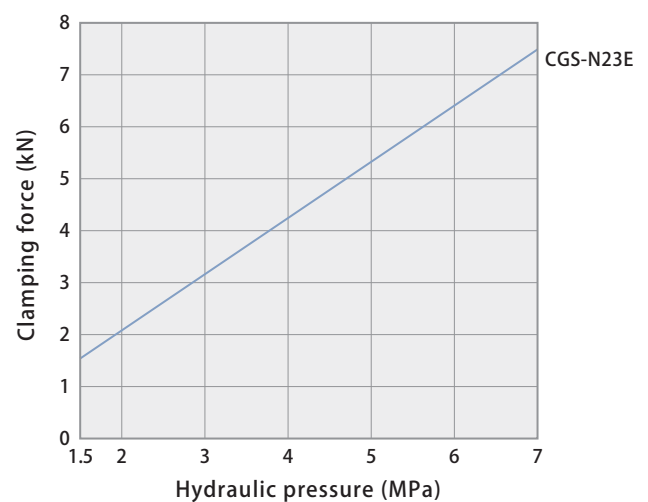
Model CGS-N23E with grip inner diameter ø12~ø16 :

During clamping, rod will stroke and expand scraper. Thanks to a new mechanism, open space is removed between rod, gripper, and scraper. As chip intrusion is prevented, air blow during cutting process has been eliminated. (Air blow will only be necessary during clamping and unclamping operation.) As a result, air consumption has been significantly reduced compared to the traditional model.

**Specifications**

Model	CGS-N23E <span style="border: 1px solid black; padding: 2px;">Grip inner diameter</span>	
Number of grippers	3	
Working pressure range (MPa)	1.5 ~ 7	
Proof pressure (MPa)	10.5	
Clamping force *1 (kN)	7.48	
Radial expansion force *1 (kN)	23.3	
Taper rod stroke (mm)	4.2	
Clamp stroke (mm)	1.2	
Cylinder capacity	Clamp (cm <sup>3</sup> )	5.2
	Unclamp (cm <sup>3</sup> )	7.2
Allowable eccentricity (mm)	± 0.5	
Recommended air blow pressure (MPa)	0.3	
Recommended seating detection air pressure (MPa)	0.2	
Operating temperature (°C)	0 ~ 70	
Fluid used	General mineral based hydraulic oil (ISO-VG32 equivalent)	
Mass (kg)	0.60	

\*1: Capacity values for hydraulic pressure of 7 MPa are shown.

**Clamping force & hydraulic pressure**

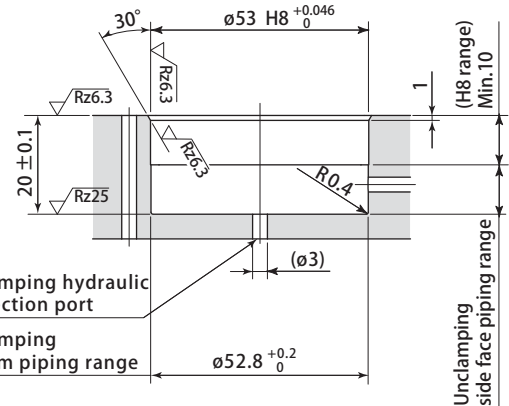
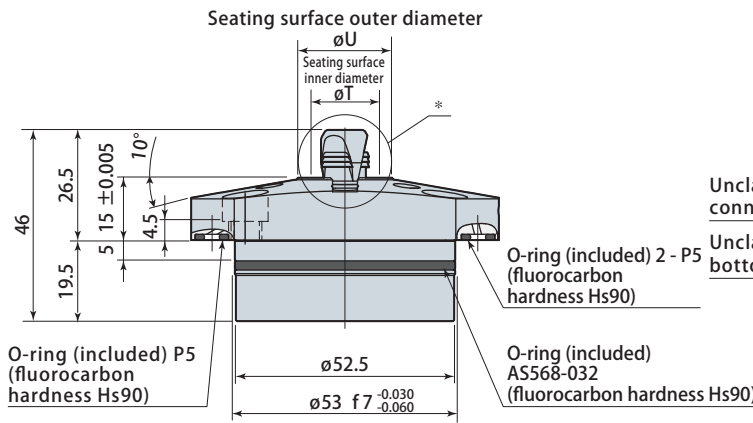
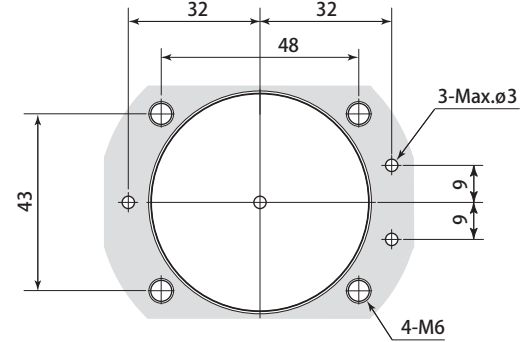
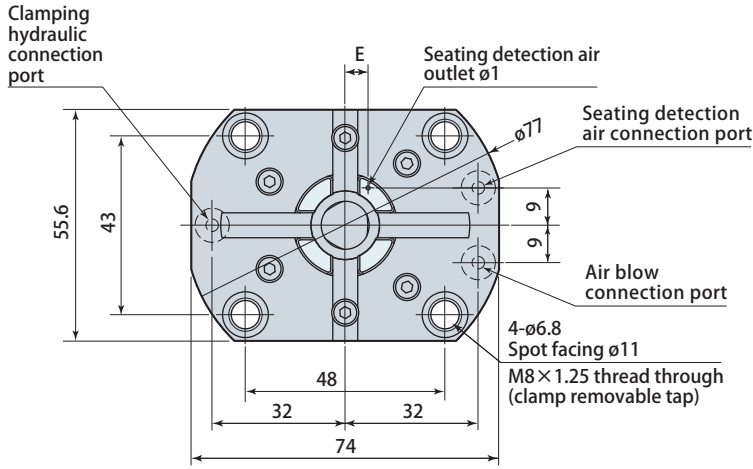
Hydraulic pressure (MPa)	1.5	2	3	4	5	6	7
Clamping force (kN)	1.60	2.14	3.20	4.27	5.34	6.41	7.48

$$F: \text{Clamping force (kN)} = 1.068 \times P: \text{Hydraulic pressure (MPa)}$$



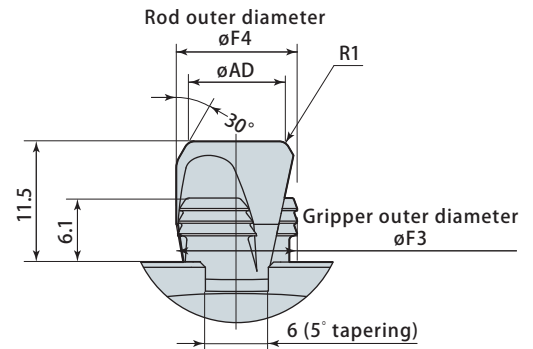
CGS-N23E 12, 13, 14, 15, 16

Mounting details



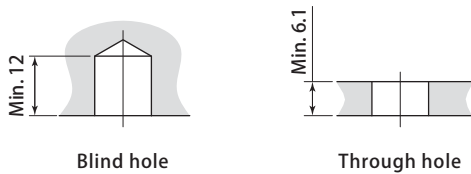
Rz: ISO4287(1997)

\*details



(mm)

Grip inner diameter usage requirements



Model	CGS-N23E Grip inner diameter				
Workpiece material (hardness)	Aluminum, steel and others (HRC30 or below). Cast iron also usable depending on conditions.				
Grip inner diameter (mm)	12	13	14	15	16
Allowable min. grip inner diameter (mm)	11.7	12.7	13.7	14.7	15.7
Allowable max. grip inner diameter (mm)	12.7	13.7	14.7	15.7	16.7
Grip inner diameter tapering angle (draft angle)	3° or below				
Grip inner diameter circularity	0.1 or below				

Please inquire if above terms are not applied.

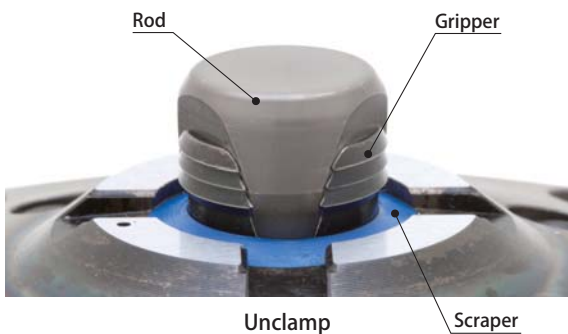
Model	CGS-N23E Grip inner diameter				
	12	13	14	15	16
E	5.5	6.3	7.2	7.9	8.7
F3	11.5	12.5	13.5	14.5	15.5
F4	11.55	12.55	13.55	14.55	15.55
T	16	17	18	19	20
U	24	25	26	27	28
AD	9.2	10.2	11.2	12.2	13.2

- Note1. Mounting screws are not included.
- 2. Included O-ring must be used at all times.
- 3. Seating surface hardness is HRC55.

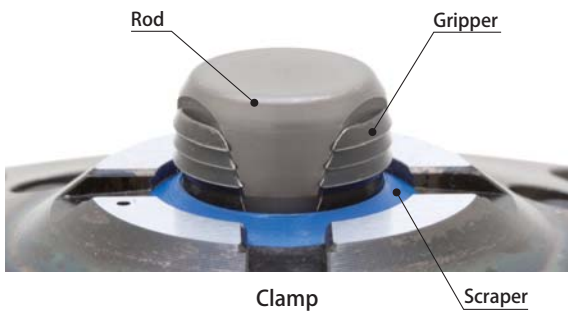
**3 Grip Non-constant air blow model**

Grip inner diameter	<b>ø17</b> <b>ø18</b> <b>ø19</b> <b>ø20</b>
Model	<b>CGS-N24E</b> <span style="border: 1px solid black; padding: 2px;">Grip inner diameter</span> (Example : CGS-N24E17)
Clamping force	<b>13.4 kN</b> (hydraulic pressure 7 MPa)
Radial expansion force	<b>41.7 kN</b> (hydraulic pressure 7 MPa)

□ : made to order



Unclamp

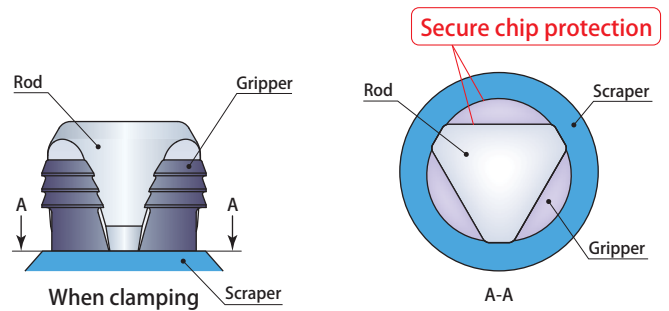


Clamp



Model CGS-N24E with grip inner diameter ø17~ø20 :

During clamping, rod will stroke and expand scraper. Thanks to a new mechanism, open space is removed between rod, gripper, and scraper. As chip intrusion is prevented, air blow during cutting process has been eliminated. (Air blow will only be necessary during clamping and unclamping operation.) As a result, air consumption has been significantly reduced compared to the traditional model.

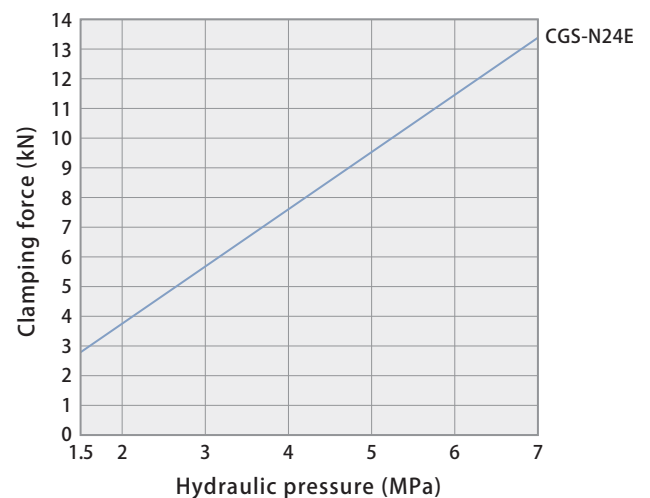


**Specifications**

Model	CGS-N24E <span style="border: 1px solid black; padding: 2px;">Grip inner diameter</span>	
Number of grippers	3	
Working pressure range (MPa)	1.5 ~ 7	
Proof pressure (MPa)	10.5	
Clamping force *1 (kN)	13.4	
Radial expansion force *1 (kN)	41.7	
Taper rod stroke (mm)	4.2	
Clamp stroke (mm)	1.2	
Cylinder capacity	Clamp (cm <sup>3</sup> )	9.4
	Unclamp (cm <sup>3</sup> )	12.3
Allowable eccentricity (mm)	± 0.5	
Recommended air blow pressure (MPa)	0.3	
Recommended seating detection air pressure (MPa)	0.2	
Operating temperature (°C)	0 ~ 70	
Fluid used	General mineral based hydraulic oil (ISO-VG32 equivalent)	
Mass (kg)	1.20	

\*1: Capacity values for hydraulic pressure of 7 MPa are shown.

**Clamping force & hydraulic pressure**

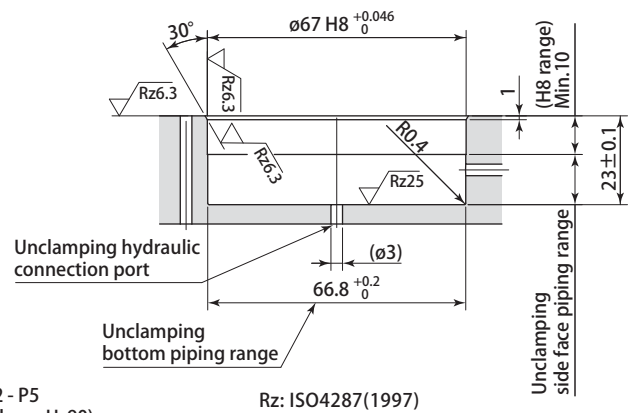
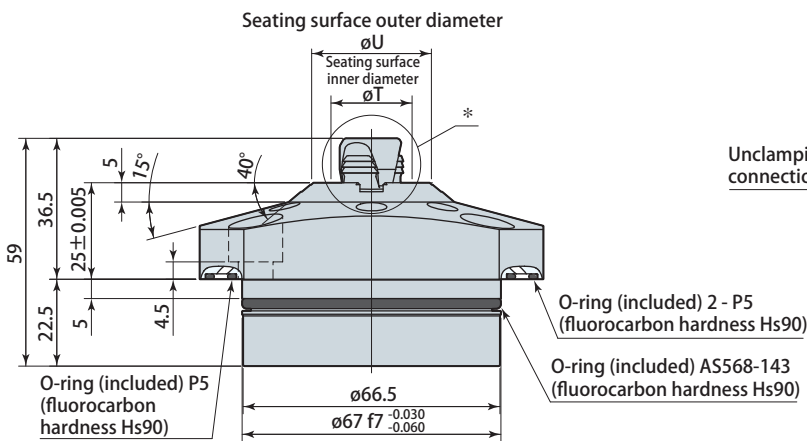
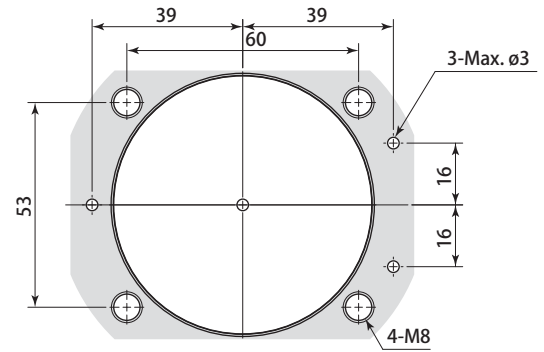
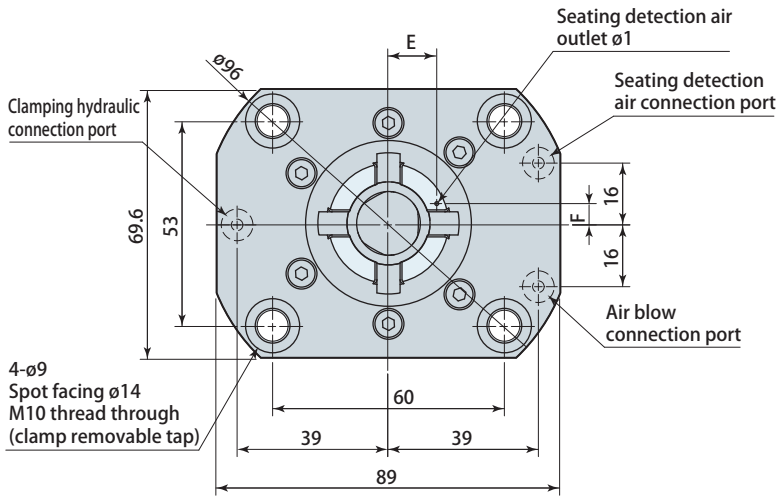


Hydraulic pressure (MPa)	1.5	2	3	4	5	6	7
Clamping force (kN)	2.88	3.84	5.76	7.68	9.60	11.51	13.43

F: Clamping force (kN) = 1.919 × P: Hydraulic pressure (MPa)

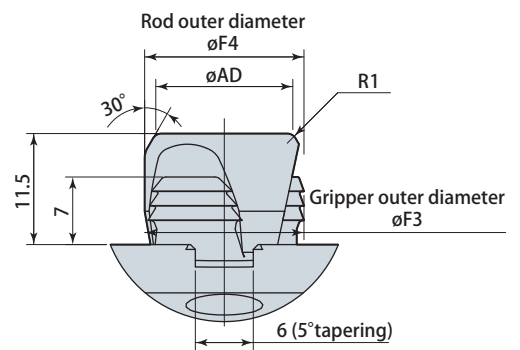
CGS-N24E 17, 18, 19, 20

Mounting details



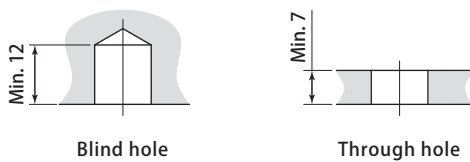
Rz: ISO4287(1997)

\*details



(mm)

Grip inner diameter usage requirements



Model	CGS-N24E Grip inner diameter			
Workpiece material (hardness)	Aluminum, steel and others (HRC30 or below). Cast iron also usable depending on conditions.			
Grip inner diameter (mm)	17	18	19	20
Allowable min. grip inner diameter (mm)	16.7	17.7	18.7	19.7
Allowable max. grip inner diameter (mm)	17.7	18.7	19.7	20.7
Grip inner diameter tapering angle (draft angle)	3° or below			
Grip inner diameter circularity	0.1 or below			

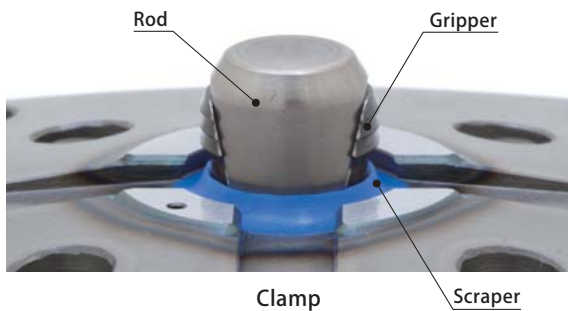
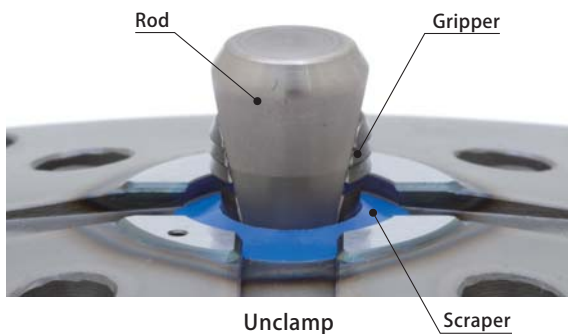
Please inquire if above terms are not applied.

Model	CGS-N24E Grip inner diameter			
	17	18	19	20
E	12.5	13.0	13.4	13.9
F	5.1	5.3	5.5	5.7
F3	16.5	17.5	18.5	19.5
F4	16.55	17.55	18.55	19.55
T	21	22	23	24
U	31	32	33	34
AD	14.2	15.2	16.2	17.2

Note1. Mounting screws are not included.  
 2. Included O-ring must be used at all times.  
 3. Seating surface hardness is HRC55.

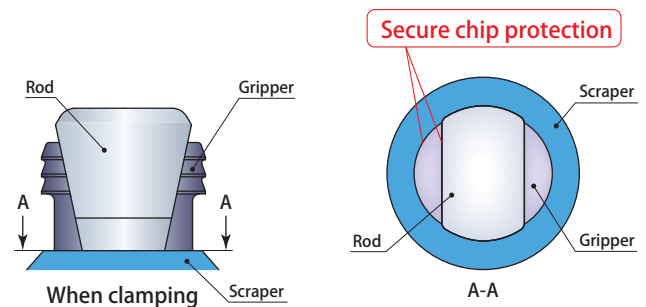
**2 Grip Non-constant air blow model**

Grip inner diameter	ø9    ø10
Model	CGS-N22E <span style="border: 1px solid black; padding: 0 2px;">Grip inner diameter</span> (Example : CGS-N22E09)
Clamping force	<b>3.6 kN</b> (hydraulic pressure 7 MPa)
Radial expansion force	<b>11.1 kN</b> (hydraulic pressure 7 MPa)



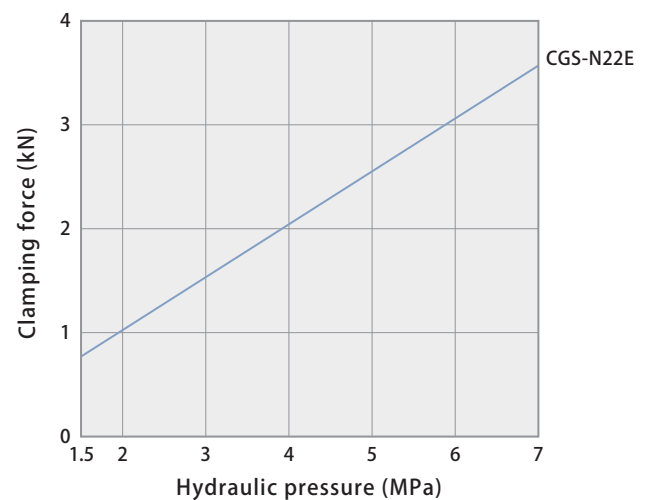
Model CGS-N22E with grip inner diameter ø9, ø10 :

During clamping, rod will stroke and expand scraper. Thanks to a new mechanism, open space is removed between rod, gripper, and scraper. As chip intrusion is prevented, air blow during cutting process has been eliminated. (Air blow will only be necessary during clamping and unclamping operation.) As a result, air consumption has been significantly reduced compared to the traditional model.

**Specifications**

Model	CGS-N22E <span style="border: 1px solid black; padding: 0 2px;">Grip inner diameter</span>	
Number of grippers	2	
Working pressure range (MPa)	1.5 ~ 7	
Proof pressure (MPa)	10.5	
Clamping force *1 (kN)	3.57	
Radial expansion force *1 (kN)	11.1	
Taper rod stroke (mm)	4.2	
Clamp stroke (mm)	1.2	
Cylinder capacity	Clamp (cm <sup>3</sup> )	2.5
	Unclamp (cm <sup>3</sup> )	3.9
Allowable eccentricity (mm)	± 0.5	
Recommended air blow pressure (MPa)	0.3	
Recommended seating detection air pressure (MPa)	0.2	
Operating temperature (°C)	0 ~ 70	
Fluid used	General mineral based hydraulic oil (ISO-VG32 equivalent)	
Mass (kg)	0.37	

\*1: Capacity values for hydraulic pressure of 7 MPa are shown.

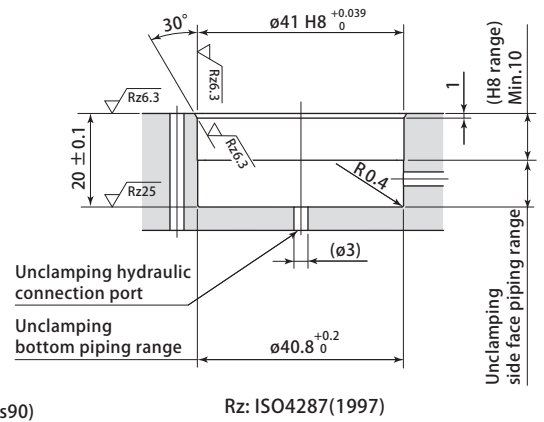
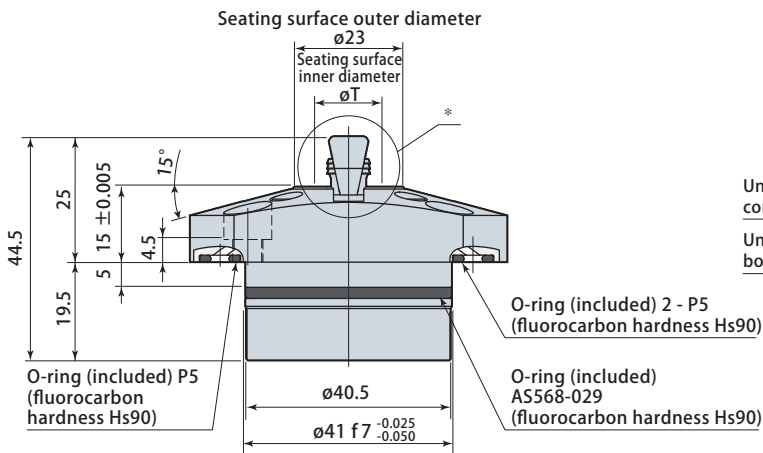
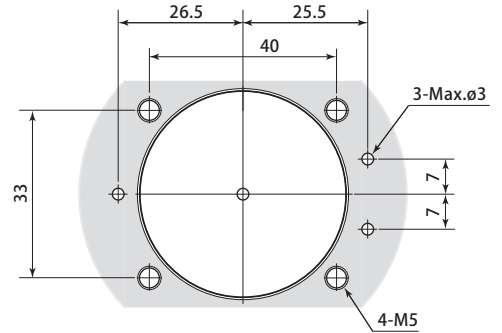
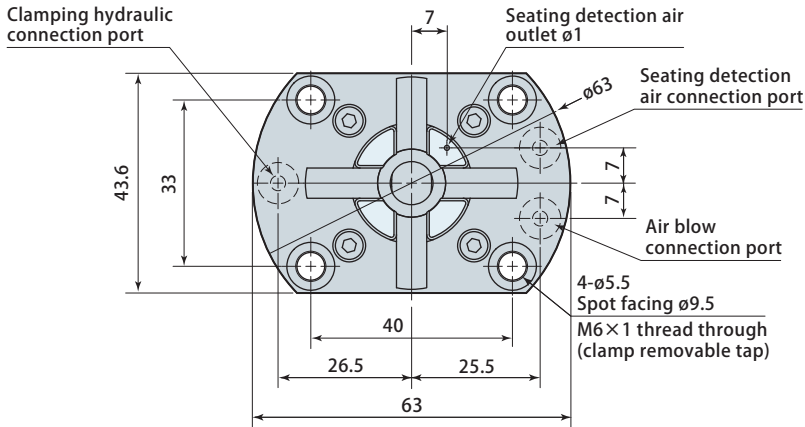
**Clamping force & hydraulic pressure**

Hydraulic pressure (MPa)	1.5	2	3	4	5	6	7
Clamping force (kN)	0.77	1.02	1.53	2.04	2.55	3.06	3.57

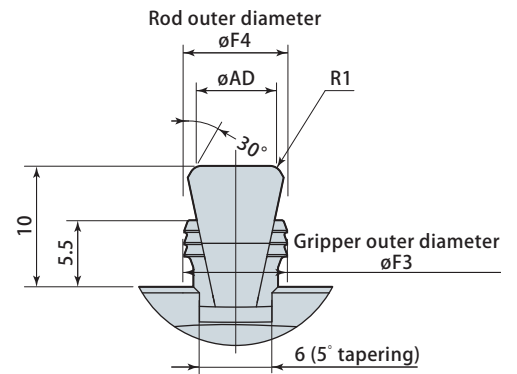
$$F: \text{Clamping force (kN)} = 0.510 \times P: \text{Hydraulic pressure (MPa)}$$

CGS-N22E 09, 10

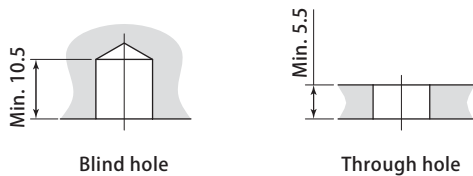
Mounting details



\*details



Grip inner diameter usage requirements



Model	CGS-N22E Grip inner diameter	
Workpiece material (hardness)	Aluminum, steel and others (HRC30 or below). Cast iron also usable depending on conditions.	
Grip inner diameter (mm)	9	10
Allowable min. grip inner diameter (mm)	8.7	9.7
Allowable max. grip inner diameter (mm)	9.7	10.7
Grip inner diameter tapering angle (draft angle)	3° or below	
Grip inner diameter circularity	0.1 or below	

Please inquire if above terms are not applied.

(mm)

Model	CGS-N22E Grip inner diameter	
	09	10
F3	8.5	9.5
F4	8.55	9.55
T	13	14
AD	6.8	7.8

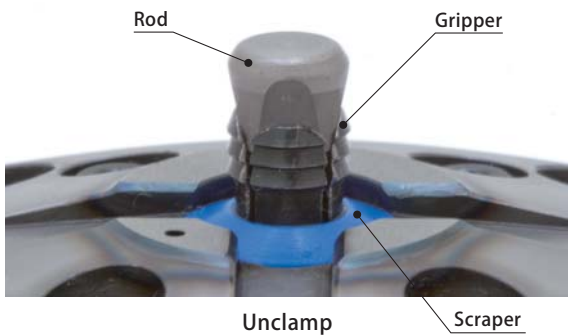
- Note1. Mounting screws are not included.
- 2. Included O-ring must be used at all times.
- 3. Seating surface hardness is HRC55.

**4 Grip**

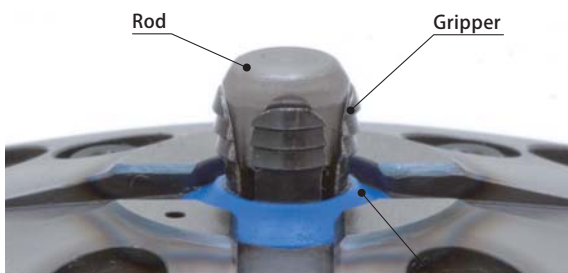
**Air blow model**

Grip inner diameter	ø6 ø7 ø8
Model	CGS-N21- <span style="border: 1px solid black; padding: 2px;">Grip inner diameter</span> (Example : CGS-N21-06)
Clamping force	2.2 kN (hydraulic pressure 7 MPa)
Radial expansion force	6.9 kN (hydraulic pressure 7 MPa)

Grip inner diameter ø6: Clamping force 1.3 kN (hydraulic pressure 4 MPa)  
Radial expansion force 4.0 kN (hydraulic pressure 4 MPa)



Unclamp

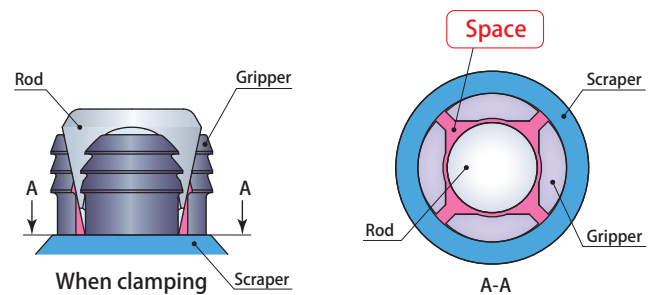


Clamp



Model CGS-N21- with grip inner diameter ø6~ø8:

During clamping, a space is created between the rod, gripper, and scraper as a result of having a small diameter. Constant air blow will be necessary to prevent intrusion of metal chips during the cutting process and during clamping and unclamping.

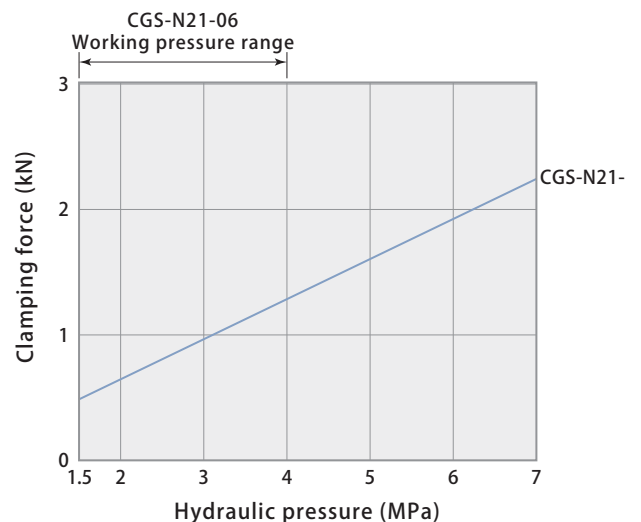


**Specifications**

Model	CGS-N21- <span style="border: 1px solid black; padding: 2px;">Grip inner diameter</span>		
	06	07	08
Number of grippers	4		
Working pressure range (MPa)	1.5 ~ 4	1.5 ~ 7	
Proof pressure (MPa)	10.5		
Clamping force *1 (kN)	1.27	2.23	
Radial expansion force *1 (kN)	4.0	6.9	
Taper rod stroke (mm)	4.2		
Clamp stroke (mm)	1.2		
Cylinder capacity	Clamp (cm <sup>3</sup> )	1.6	
	Unclamp (cm <sup>3</sup> )	2.5	
Allowable eccentricity (mm)	± 0.5		
Recommended air blow pressure (MPa)	0.3		
Recommended seating detection air pressure (MPa)	0.2		
Operating temperature (°C)	0 ~ 70		
Fluid used	General mineral based hydraulic oil (ISO-VG32 equivalent)		
Mass (kg)	0.29		

\*1: Capacity values for hydraulic pressure of 7 MPa are shown. For CGS-N21-06, however, capacity values for 4 MPa are shown.

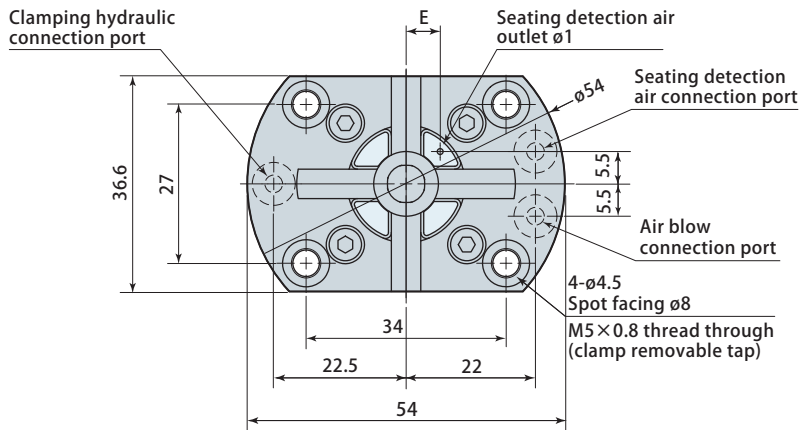
**Clamping force & hydraulic pressure**



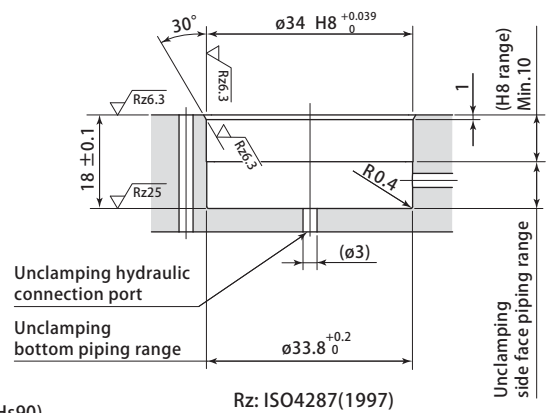
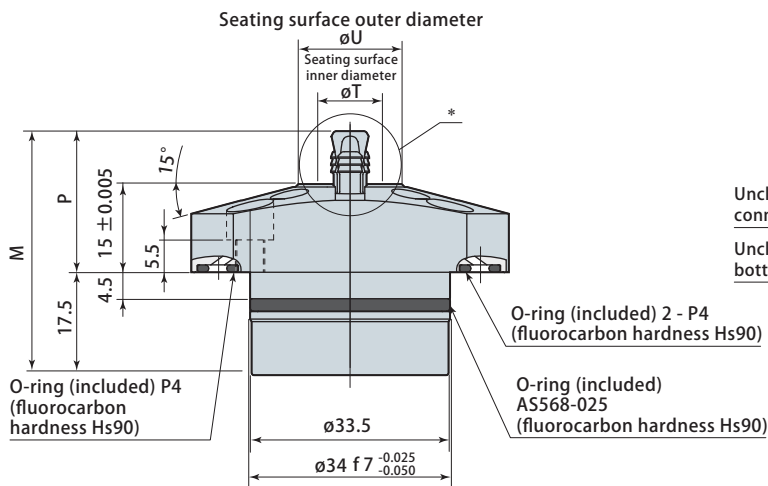
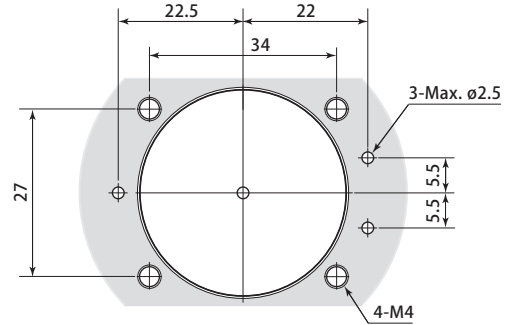
Hydraulic pressure (MPa)	1.5	2	3	4	5	6	7
Clamping force (kN)	0.48	0.64	0.95	1.27	1.59	1.91	2.23

F: Clamping force (kN) = 0.318 × P: Hydraulic pressure (MPa)

CGS-N21-06, 07, 08

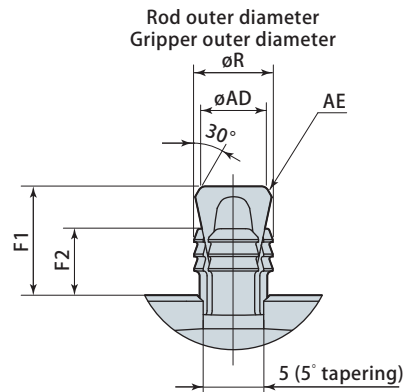


Mounting details



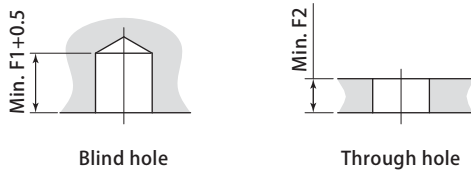
Rz: ISO4287(1997)

\*details



(mm)

Grip inner diameter usage requirements



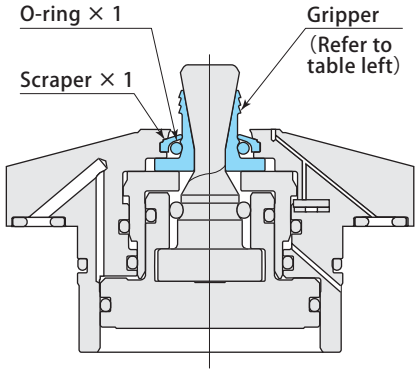
Model	CGS-N21 - Grip inner diameter		
Workpiece material (hardness)	Aluminum, steel and others (HRC30 or below). Cast iron also usable depending on conditions.		
Grip inner diameter (mm)	6	7	8
Allowable min. grip inner diameter (mm)	5.7	6.7	7.7
Allowable max. grip inner diameter (mm)	6.7	7.7	8.7
Grip inner diameter tapering angle (draft angle)	3° or below		
Grip inner diameter circularity	0.1 or below		

Please inquire if above terms are not applied.

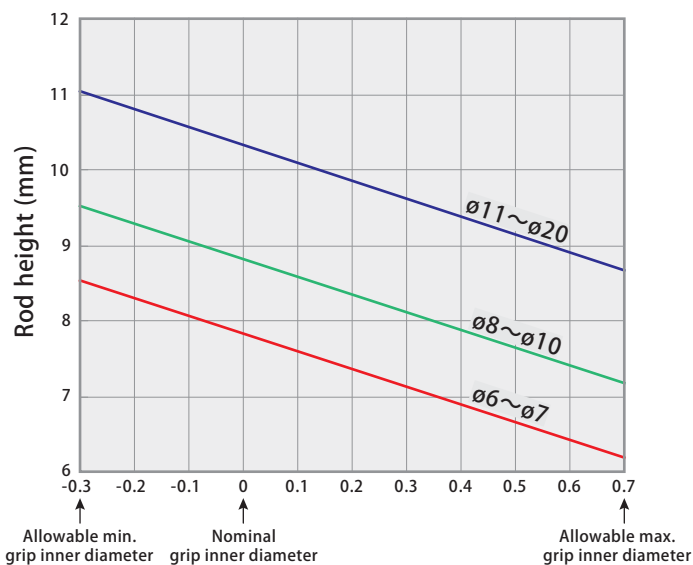
Model	CGS-N21 - Grip inner diameter		
	06	07	08
E	5.8		6.5
F1	9		10
F2	5.5		6
F5	2		2.5
M	41.5		42.5
P	24		25
R	5.5	6.5	7.5
T	10	11	12
U	19		20
AD	4.3	5.3	5.8
AE	R0.6		R1

- Note1. Mounting screws are not included.
- Note2. Included O-ring must be used at all times.
- Note3. Seating surface hardness is HRC55.

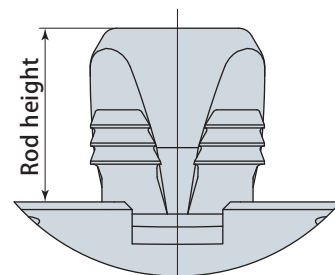
Gripper set replacement

Number of grippers	Gripper set model	Clamp model	Set description
4 Grippers	CGS-N21-J06	CGS-N21-06	 <p>It is recommended that grippers, scrapers and O-rings be replaced after about 200,000 operations. Replace grippers in sets and not just individual grippers. (Refer to the table on the left for the gripper set model.)</p>
	CGS-N21-J07	CGS-N21-07	
	CGS-N21-J08	CGS-N21-08	
2 Grippers	CGS-N22EJ09	CGS-N22E09	
	CGS-N22EJ10	CGS-N22E10	
3 Grippers	CGS-N22EJ11	CGS-N22E11	
	CGS-N22EJ12	CGS-N22E12	
	CGS-N22EJ13	CGS-N22E13	
	CGS-N22EJ14	CGS-N22E14	
	CGS-N22EJ15	CGS-N22E15	
	CGS-N22EJ16	CGS-N22E16	
	CGS-N23EJ12	CGS-N23E12	
	CGS-N23EJ13	CGS-N23E13	
	CGS-N23EJ14	CGS-N23E14	
	CGS-N23EJ15	CGS-N23E15	
	CGS-N23EJ16	CGS-N23E16	
	CGS-N24EJ17	CGS-N24E17	
	CGS-N24EJ18	CGS-N24E18	
	CGS-N24EJ19	CGS-N24E19	
	CGS-N24EJ20	CGS-N24E20	

Grip inner diameter & rod height when clamping



Difference between clamping hole diameter and nominal grip diameter (mm)



Rod height calculation formula

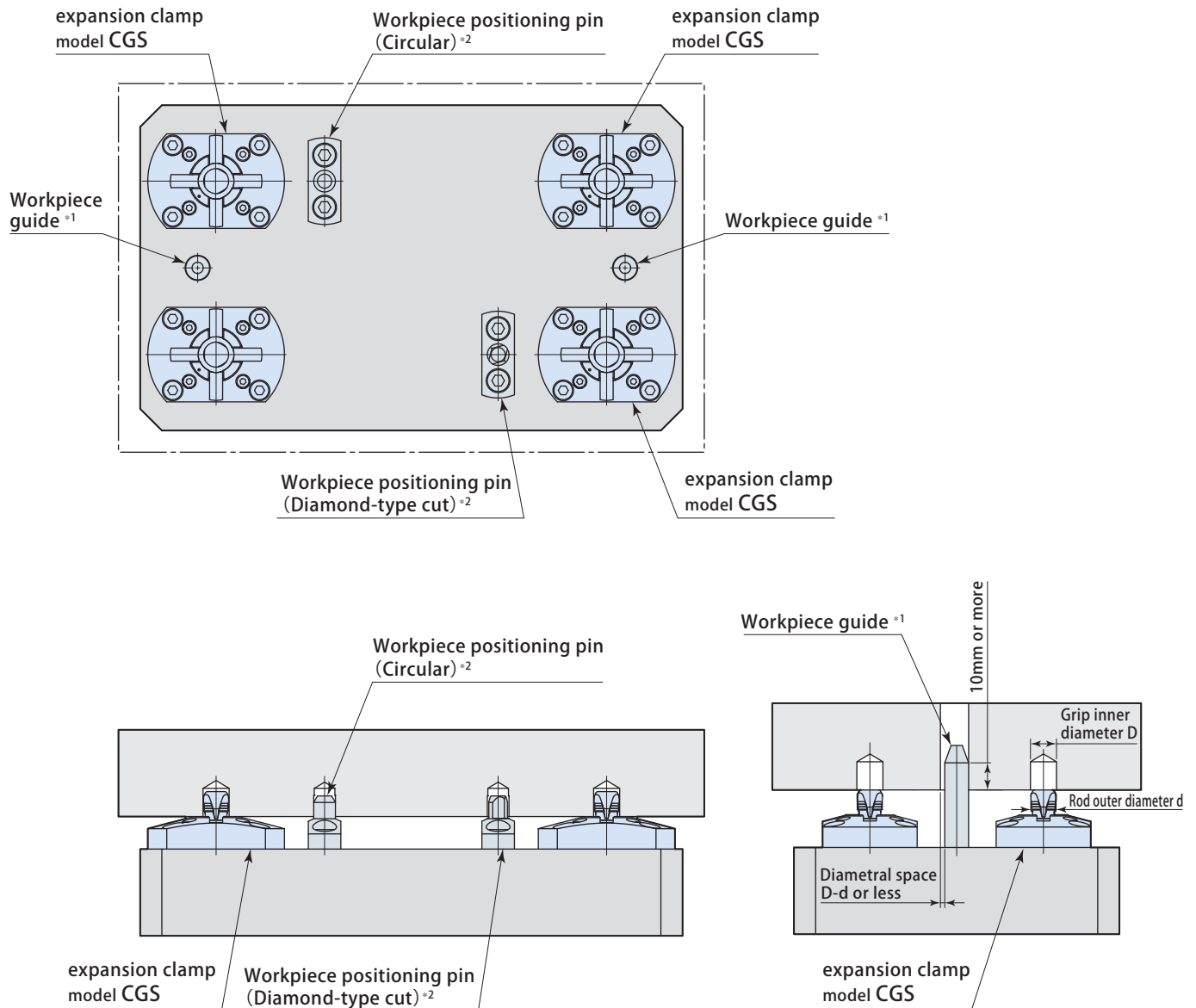
- ø6 ~ ø7 :  $7.82 - 2.35 \times$  Actual grip inner diameter and nominal grip diameter difference
- ø8 ~ ø10 :  $8.82 - 2.35 \times$  Actual grip inner diameter and nominal grip diameter difference
- ø11 ~ ø20 :  $10.32 - 2.35 \times$  Actual grip inner diameter and nominal grip diameter difference

Example: When CGS-N22E10 (Nominal grip diameter: ø10) is clamping ø9.8 hole

Rod height =  $8.82 - 2.35 \times (-0.2) = 9.29\text{mm}$



## System configuration example



\*1: When using automatic or robotic conveyers, prevent damage to clamp caused from impact by setting workpiece guides.

Using the above guide as reference, accurately position the holes when using workpiece guides.

\*2: The expansion clamp does not have a workpiece positioning function.

Please install workpiece positioning pins (or similar).

## Caution in use

- Be sure to make inner diameter of air blow circuit 4mm or more except for clamp mounting surface.
- Set the workpiece in such a way that the clamping hole of workpiece is perpendicular to seating surface. Clamping in tilted condition results in uneven contact of gripper with hole, which leads to concentration of load that may cause damage.
- Verify that there are no metal chips or debris on seating surface of clamping hole and clamp body before setting workpiece. Allowing intrusion of metal chips results in insecure clamping, which can lead to low grade of machining accuracy.
- Flaring (biting) of gripper into workpiece varies depending on workpiece material or thermal processing conditions. With regards to conditions of workpiece and clamping hole, refer to **page → 14, 16, 18, 20, 22**. Secure clamping is not possible when workpiece or clamping hole that does not satisfy these conditions is used.
- If clamping hole serves as taper hole (cast draft hole with gradient), then perform test clamping using applicable workpiece beforehand to verify that there are no problems with operations.
- Deformation may occur if the thickness of clamping hole section of workpiece is extremely thin. Use applicable workpiece to perform test clamping beforehand to verify that there are no deformations in thin portion.
- Supply the dry and filtered air. Particulate size 5 μm or less is recommended.
- Measure seating surface flatness with hydraulic pressure applied on clamping side, or by applying hydraulic pressure on neither clamping nor unclamping side.
- Set detection range of seating detection air sensor to 0.05 mm or less from seating surface. Insert a feeler gauge between workpiece and seating surface to create detection distance in order to perform setting accurately. Refer to instruction manual of air sensor for details on setting methods.
- Perform unclamping completion detection, clamping completion detection and incomplete clamping detection with combination actions of pressure switch and sensor shown in table below. (Refer to hydraulic and air circuit diagram.)

Applications	Pressure switch 1 (P.S. 1)	Pressure switch 2 (P.S. 2)	Air sensor
Unclamping completion detection	OFF	ON	ON*
Clamping completion detection	ON	OFF	ON
Incomplete clamping detection	ON	OFF	OFF

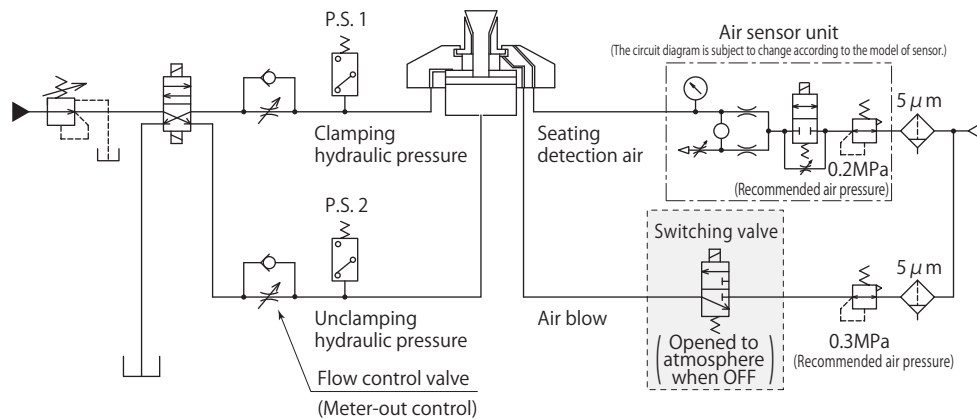
\*:In case of a lightweight workpiece or the like, sensor may be OFF.

## Air sensor recommended condition of use

Supplier and model	ISA3-F/G series manufactured by SMC
	GPS2-05, GPS3-E series manufactured by CKD
Air supply pressure	0.2 MPa
Inner diameter of piping	ø4 mm (ISA3-F:ø2.5 mm)
Overall piping length	5 m or less

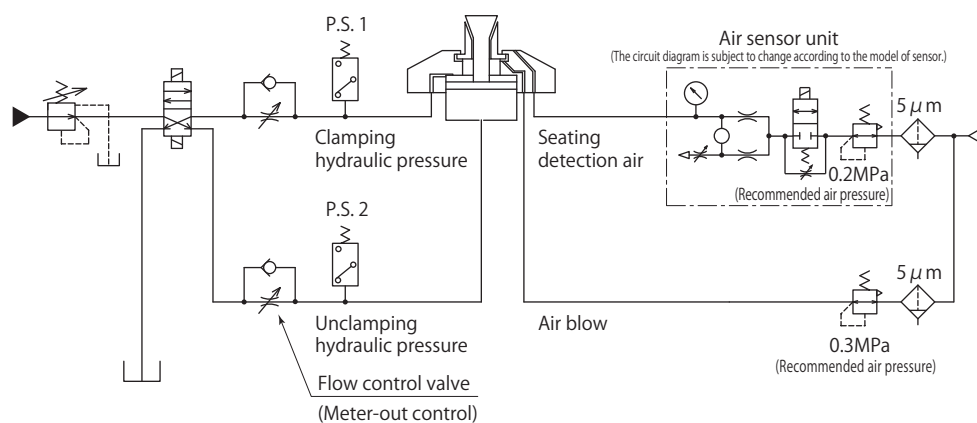
- Use a solenoid valve with needle for air sensor unit and control it supplying air all the time in order to eliminate intrusion of chips or coolant.
- There is a case that air sensing cannot be made successfully as designed when it is used out of the usage shown on the left. Contact Technical service center for more details.

## Non-constant air blow model hydraulic and pneumatic circuit diagram



- Be sure to install a flow control valve for meter-out control in unclamping hydraulic circuit and to adjust clamping speed by means of back pressure. (0.3 seconds and over when full stroking.) Immediate pressure release of unclamping side of the clamp causes insufficient grip at wall of clamping hole, which may result in incomplete clamping.
- Air blow will not be necessary during cutting process. Be sure to air blow upon loading and unloading workpiece and when clamping and unclamping to remove metal chips and debris.
- Be sure to turn air blow OFF while seating detection is occurring. Also, be sure to use an air switching valve that is opened to atmosphere when air blow is OFF. (When incomplete clamping occurs, it is used as a seating detection air exhaust path.)

## Air blow model hydraulic and pneumatic circuit diagram



- Be sure to install a flow control valve for meter-out control in unclamping hydraulic circuit and to adjust clamping speed by means of back pressure. (0.3 seconds and over when full stroking.) Immediate pressure release of unclamping side of the clamp causes insufficient grip at wall of clamping hole, which may result in incomplete clamping.
- Be sure to air blow upon loading and unloading workpiece and when clamping and unclamping. During cutting, if chips adhere to the gripper such as when going through the clamp hole, continue air blowing during processing as well.

Standard

Long neck

Long neck  
(no seating)

Eccentric



model  
**CGC**

model  
**CGT**

model  
**CGT-R**

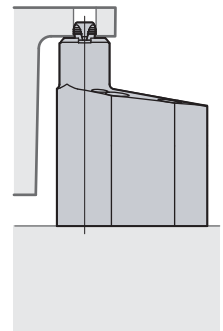
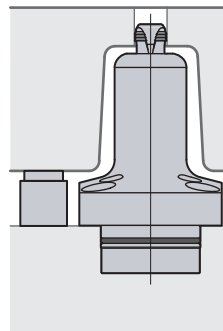
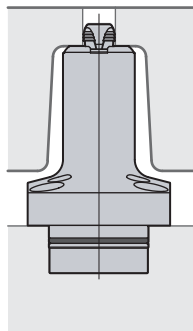
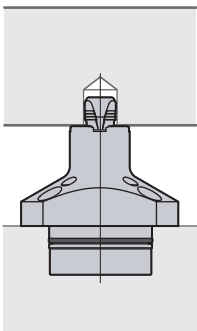
model  
**CGU**

Clamp 7MPa  
Unclamp 7MPa

Clamp 7MPa  
Unclamp 7MPa

Clamp 7MPa  
Unclamp 7MPa

Clamp 7MPa  
Unclamp 7MPa



Seating surface is set apart from clamp.

Flat

**air**  
Standard

**air**  
Long neck

**air**  
Long neck



model  
**CGS-N1**

model  
**CGE**

model  
**CGY-F2**

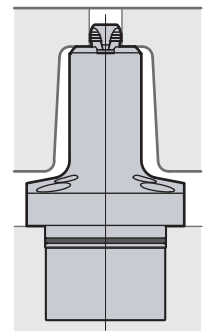
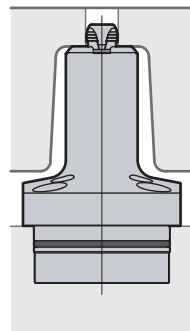
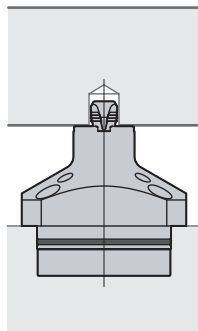
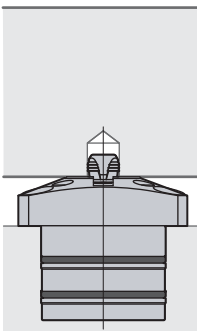
model  
**CGY-F3**

Clamp 7MPa  
Unclamp spring

Clamp air  
Unclamp air

Clamp air  
Unclamp air

Clamp spring  
Unclamp air



Refer to separate documents for details.

# Pascal

Itami, Hyogo, Japan 664-8502  
TEL. 072-777-3333 FAX. 072-777-3520



CERTIFICATE OF APPROVAL ISO9001