

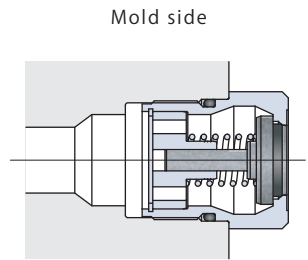
# Pascal auto coupler



## Coupler module

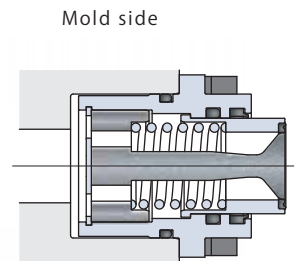
### Screw mounting new product

	Mold side	Machine side			Body material
Water, air	<b>WVE-W M</b>	<b>WVE-W F</b>			Stainless steel
Hydraulic	<b>WVE-H M</b>	<b>WVE-H F</b>			Chromium molybdenum steel
Diameter	1/4"	3/8"	1/2"	3/4"	



### Flange mounting

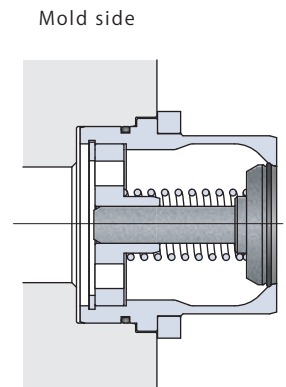
	Mold side	Machine side			Body material
Water, air	<b>WVE-W P</b>	<b>WVE-W S</b>			Stainless steel
Hydraulic	<b>WVE-H P</b>	<b>WVE-H S</b>			Chromium molybdenum steel
Diameter	1/4"	3/8"	1/2"	3/4"	



※ No pressure maintaining

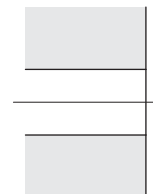
### Flange mounting Large flow type

	Mold side	Machine side			Body material
Water, air	<b>WVD-W P</b>	<b>WVD-W S</b>			Stainless steel
Diameter	1"	1 1/4"	1 1/2"	2"	



### Embedded type

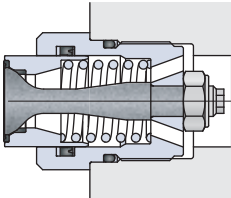
	Machine side	Body material
Water, air	<b>WVF-03S</b>	Copper alloy
Diameter	1/4"	



# Coupler module

## Screw mounting new product

Machine side



Mold side

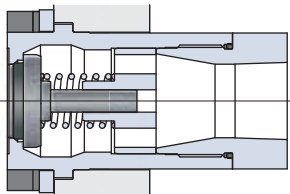


Machine side



## Flange mounting

Machine side



Mold side

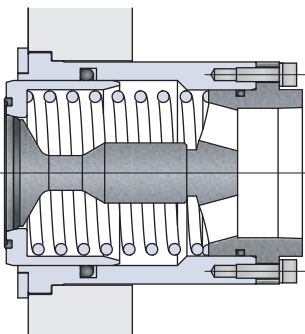


Machine side



## Flange mounting Large flow type

Machine side



Mold side

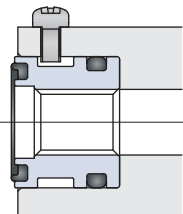


Machine side



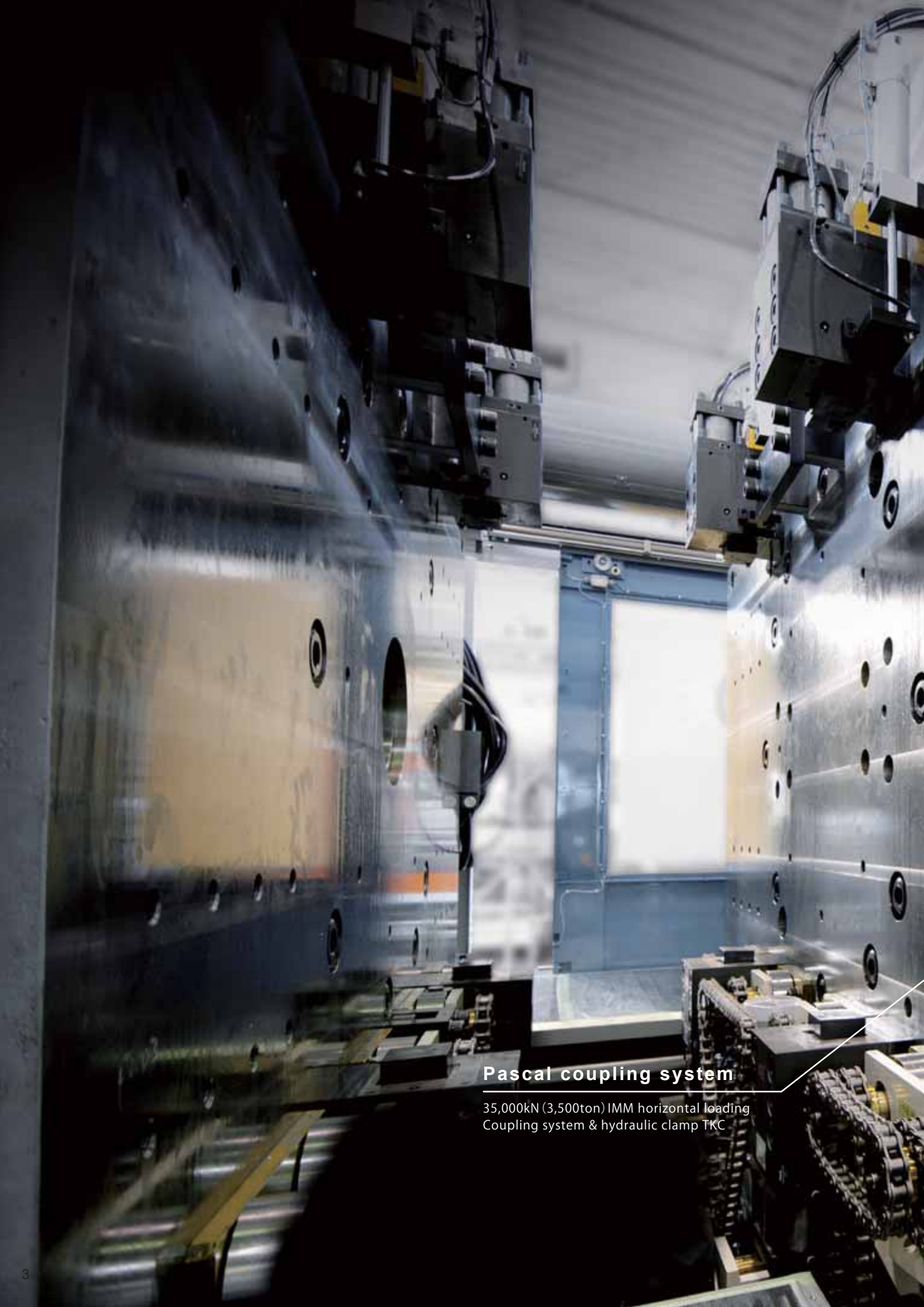
## Embedded type

Machine side



Machine side

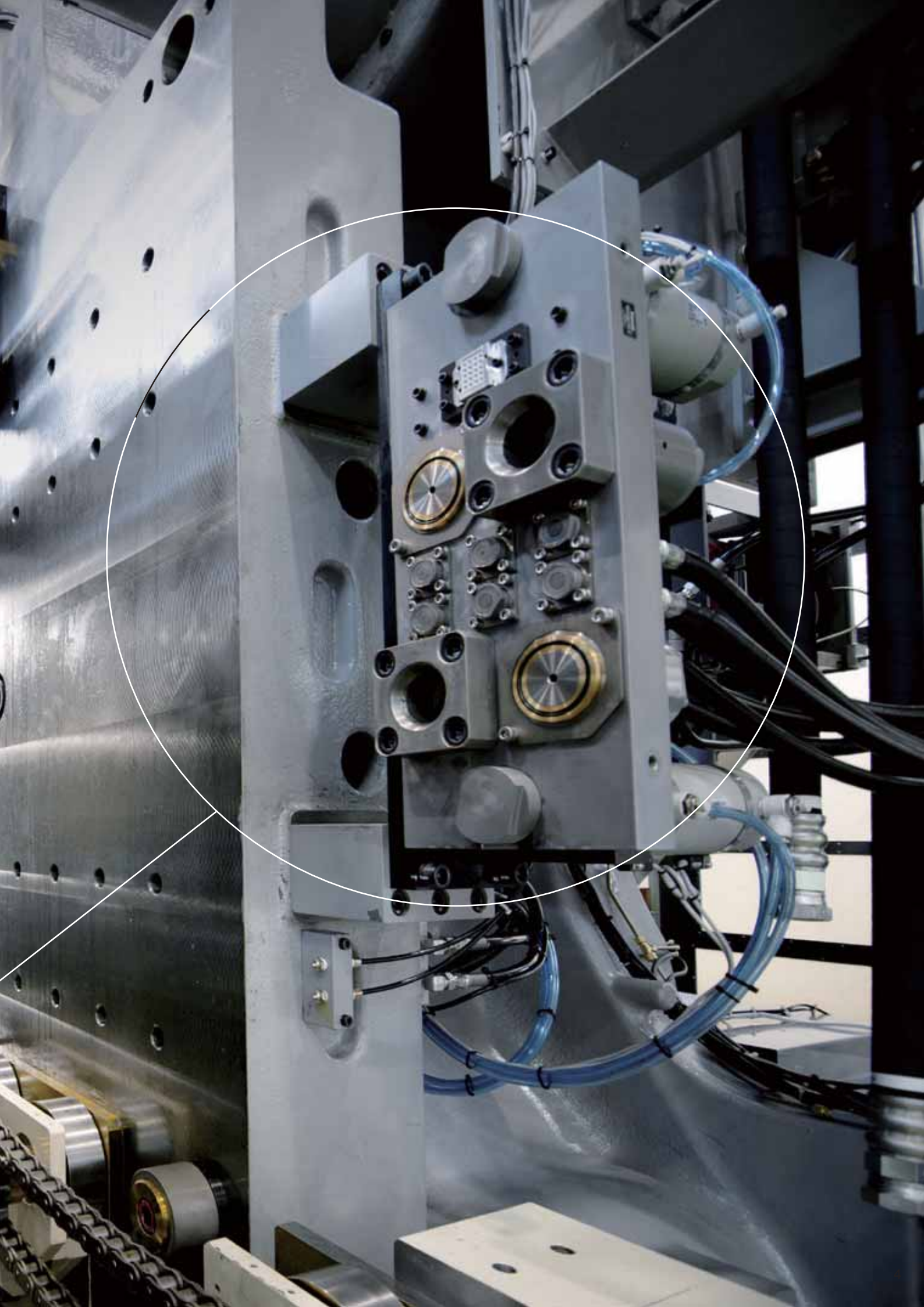




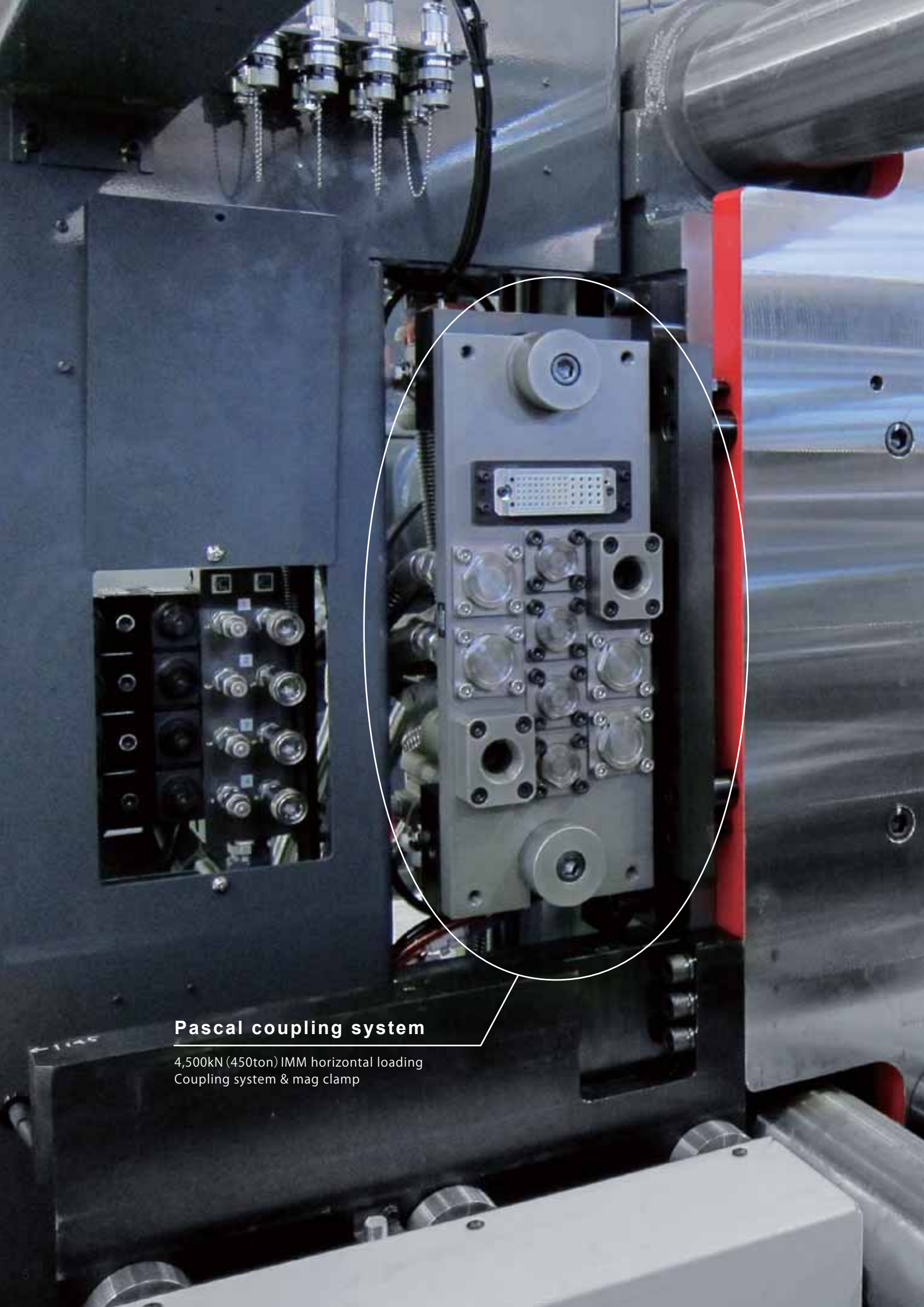
### **Pascal coupling system**

35,000kN (3,500ton) IMM horizontal loading  
Coupling system & hydraulic clamp TKC



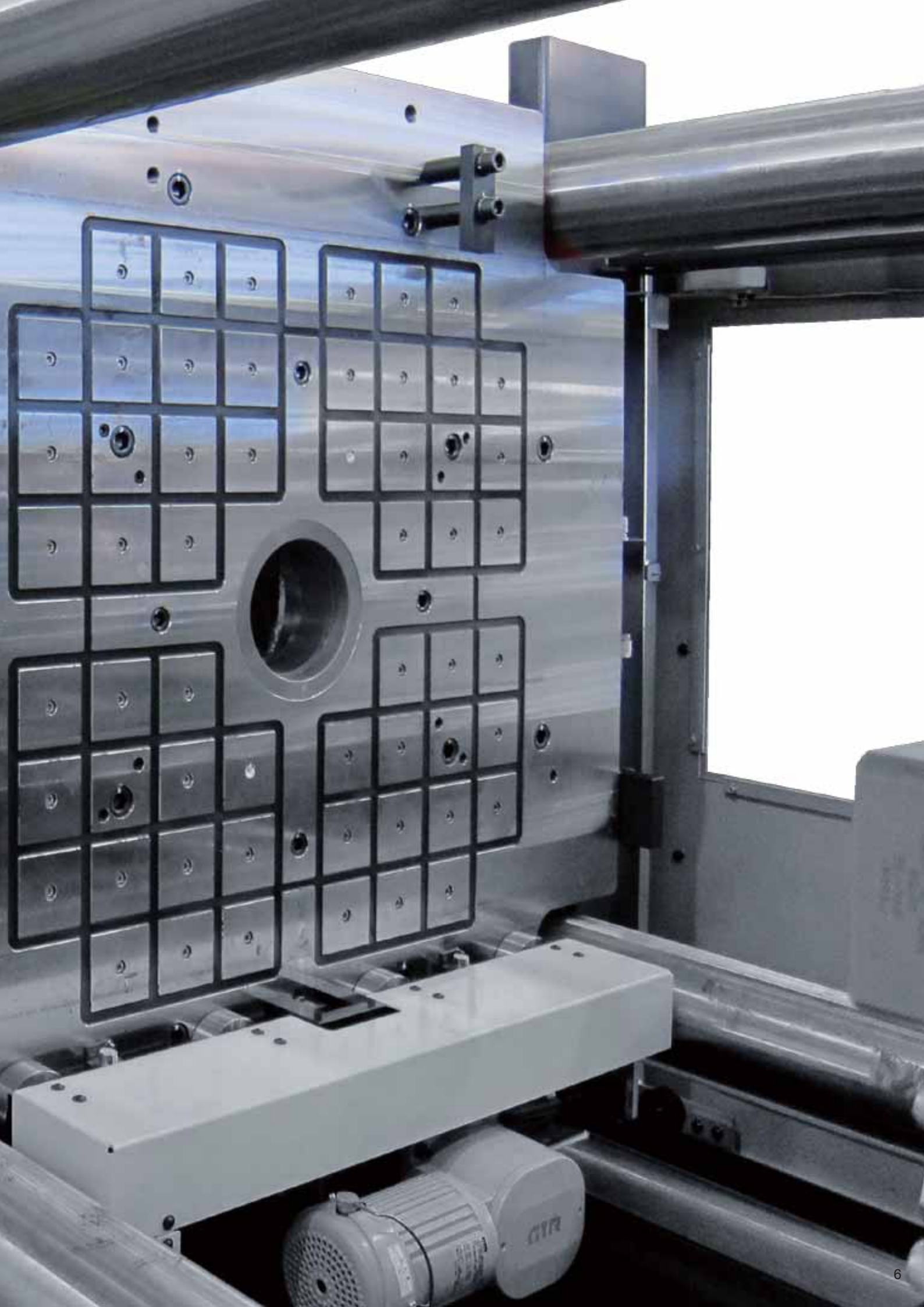






**Pascal coupling system**

4,500kN (450ton) IMM horizontal loading  
Coupling system & mag clamp

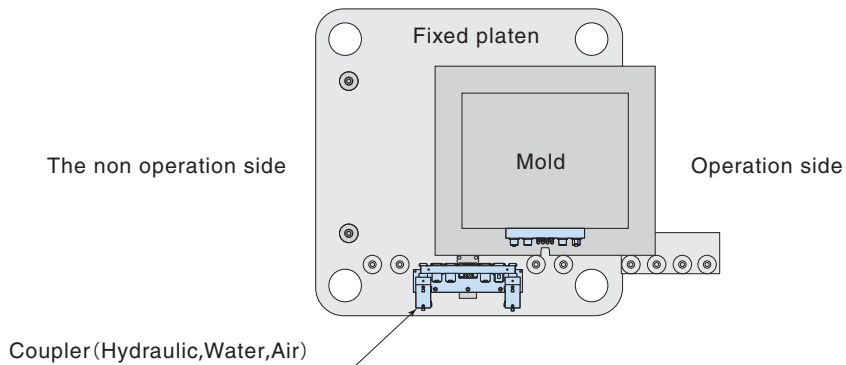
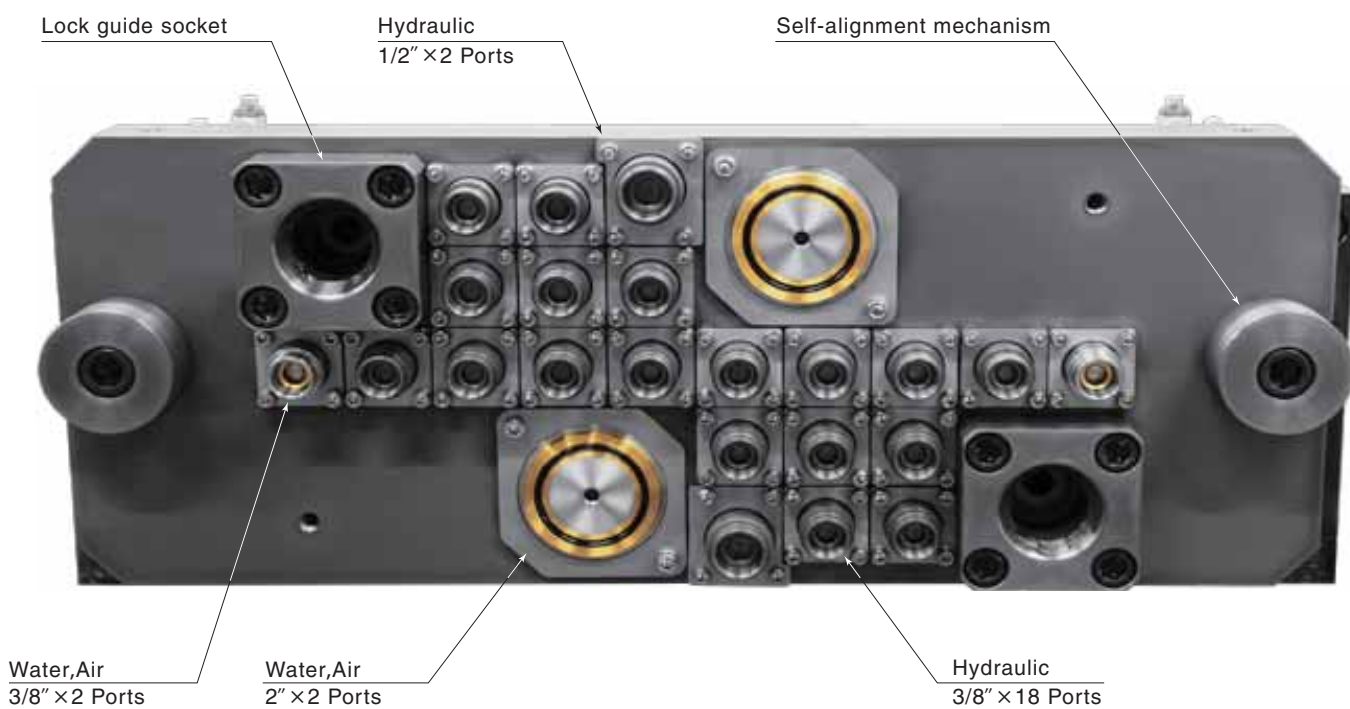




\* The size width × height is value excluding the bracket.

Machine side

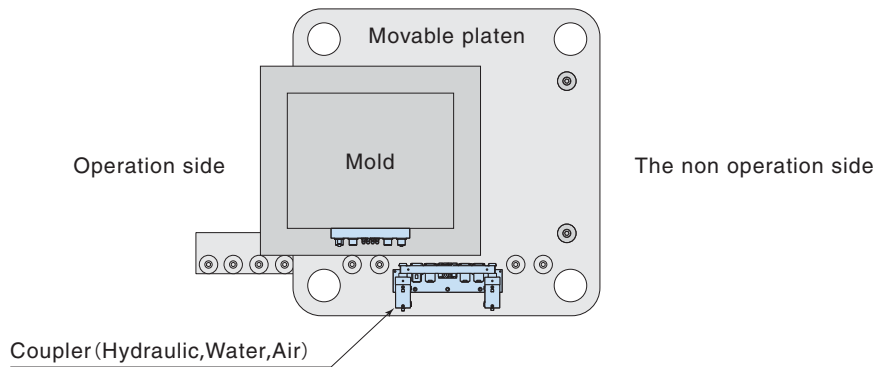
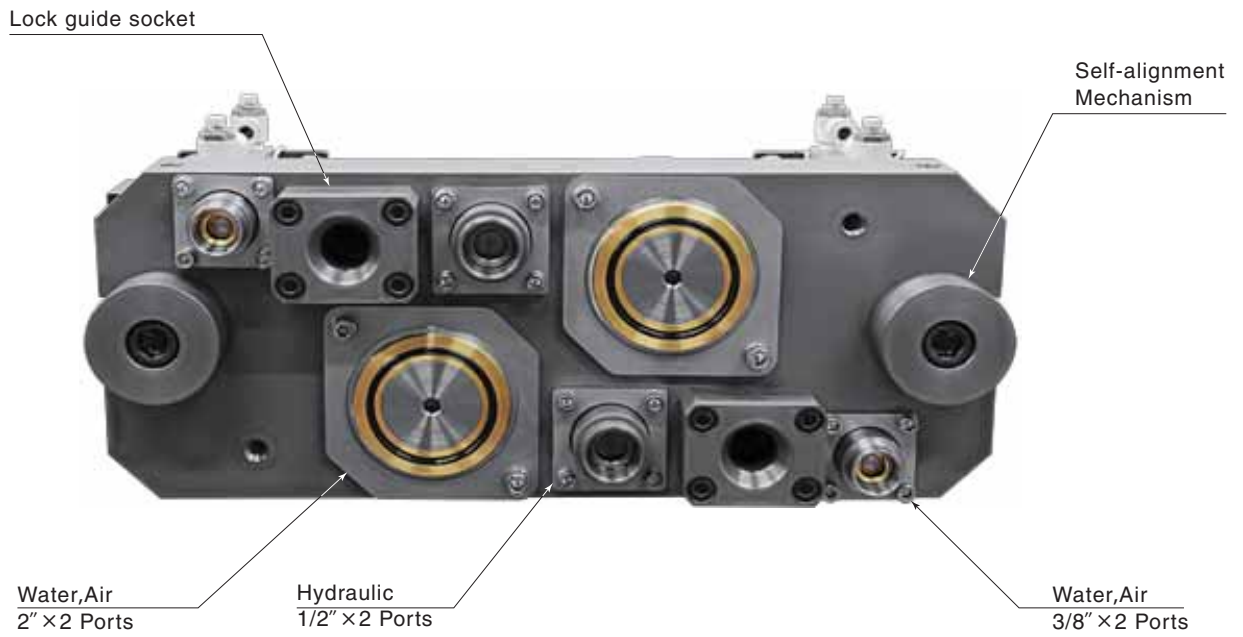
width : 720 × height : 280 (mm)



Fluid	Hydraulic (General mineral based hydraulic oil)					Water & Air							Electric connector		
	1/4"	3/8"	1/2"	3/4"	1"	1/8"	1/4"	3/8"	1/2"	3/4"	1"	1 1/4"		1 1/2"	2"
Connection port															
Pieces		18	2					2						2	-

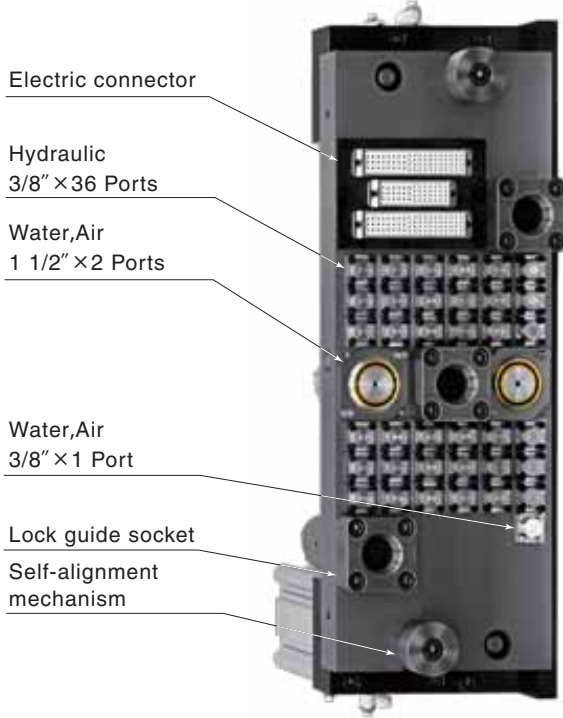


Machine side  
width : 450 × height : 180 (mm)

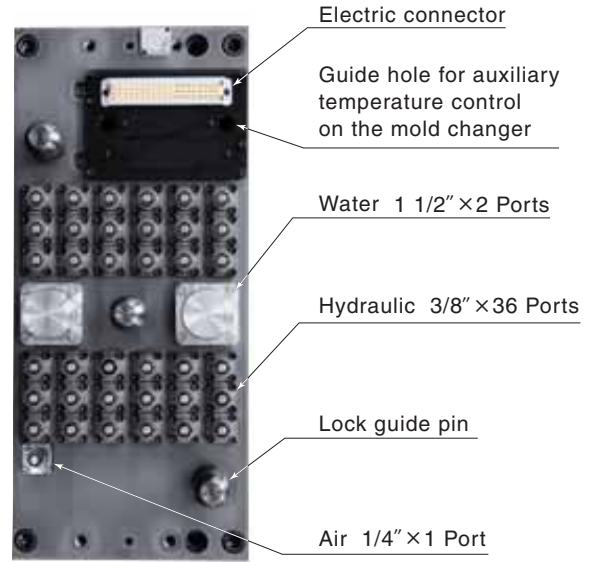


Fluid	Hydraulic (General mineral based hydraulic oil)					Water & Air							Electric connector		
Connection port	1/4"	3/8"	1/2"	3/4"	1"	1/8"	1/4"	3/8"	1/2"	3/4"	1"	1 1/4"	1 1/2"	2"	
Pieces			2					2						2	-

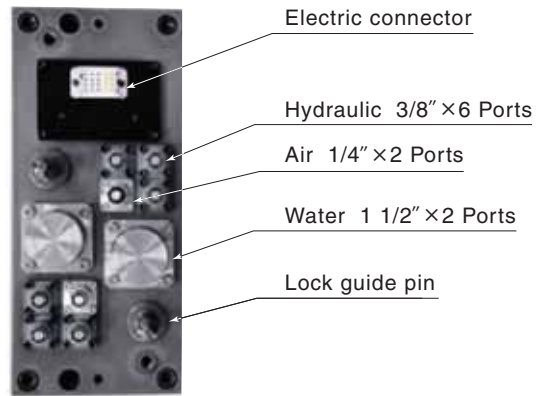
Fixed machine side  
width : 320 × height : 850 (mm)



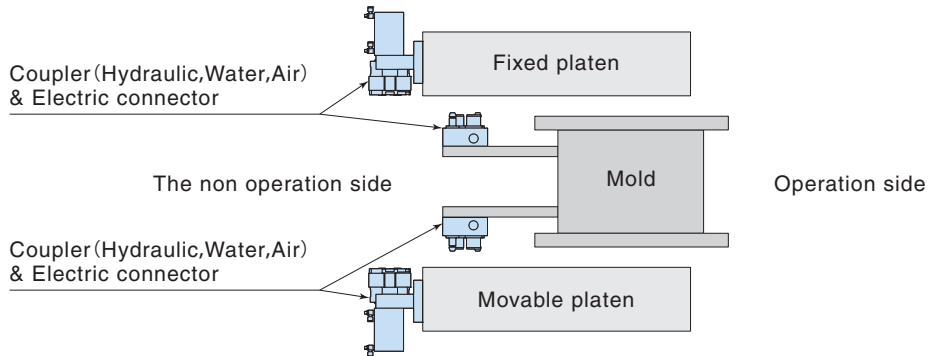
Fixed mold side  
width : 320 × height : 730 (mm)



Movable mold side  
width : 210 × height : 480 (mm)



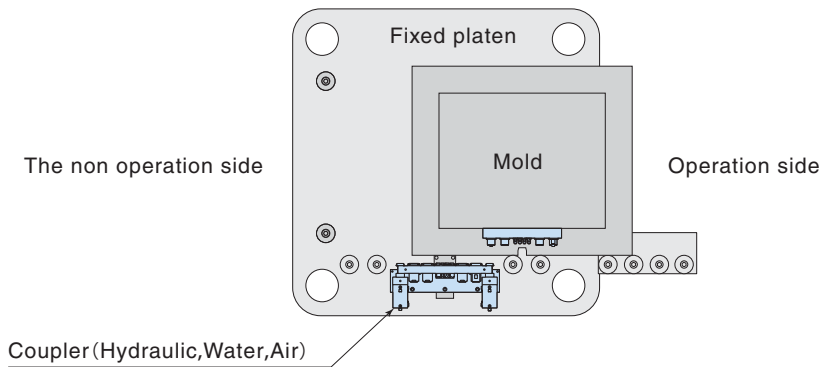
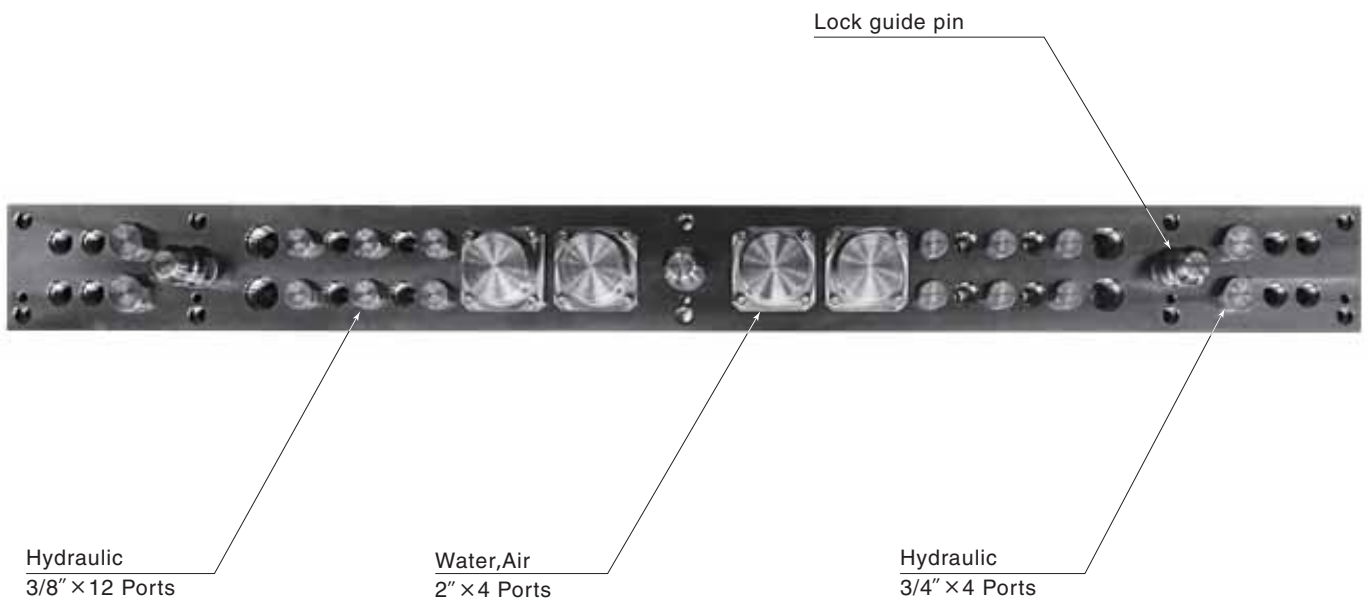
\* The size width × height is value excluding the bracket.



Fluid		Hydraulic (General mineral based hydraulic oil)					Water & Air							Electric connector		
Connection port		1/4"	3/8"	1/2"	3/4"	1"	1/8"	1/4"	3/8"	1/2"	3/4"	1"	1 1/4"		1 1/2"	2"
Pieces	Fixed platen		36						1					2		○
	Movable platen		6					2						2		○

Mold side

width : 1,660 × height : 150 (mm)



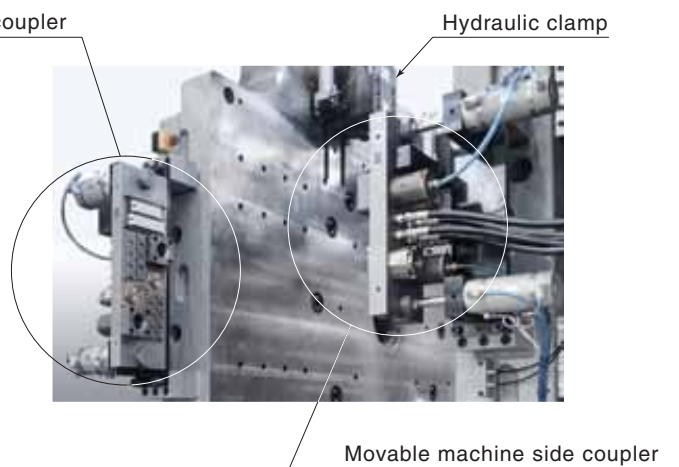
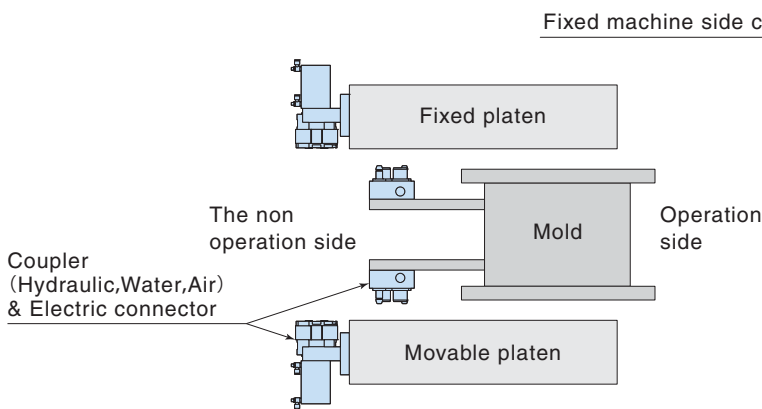
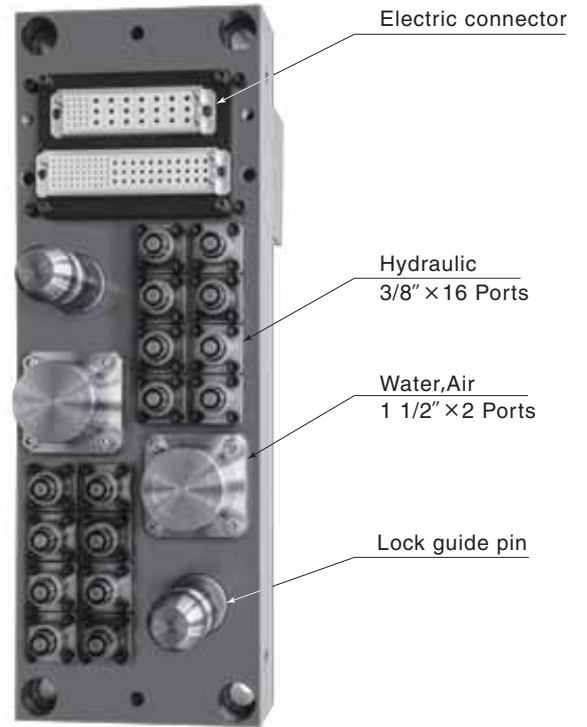
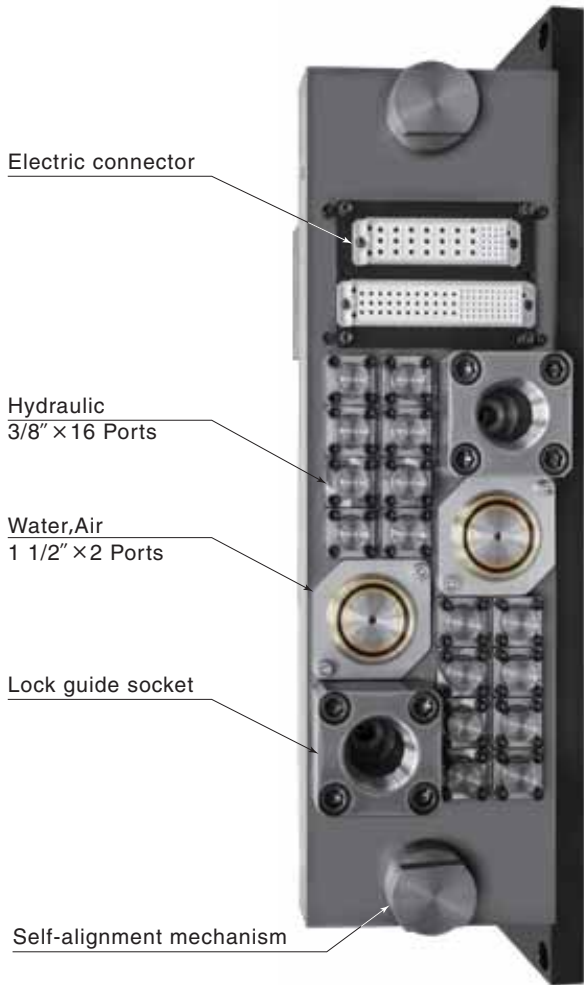
Fluid	Hydraulic (General mineral based hydraulic oil)					Water & Air							Electric connector		
	1/4"	3/8"	1/2"	3/4"	1"	1/8"	1/4"	3/8"	1/2"	3/4"	1"	1 1/4"		1 1/2"	2"
Connection port															
Pieces		12		4										4	-



Fixed machine side  
width : 210 × height : 710 (mm)

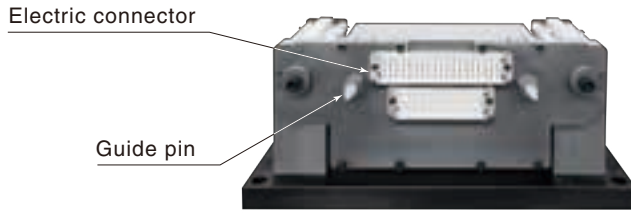
Fixed Mold side  
width : 210 × height : 600 (mm)

\* The size width × height is value excluding the bracket.



Fluid		Hydraulic (General mineral based hydraulic oil)					Water & Air							Electric connector		
Connection port		1/4"	3/8"	1/2"	3/4"	1"	1/8"	1/4"	3/8"	1/2"	3/4"	1"	1 1/4"		1 1/2"	2"
Pieces	Fixed platen		16											2		○
	Movable platen		6											2		○

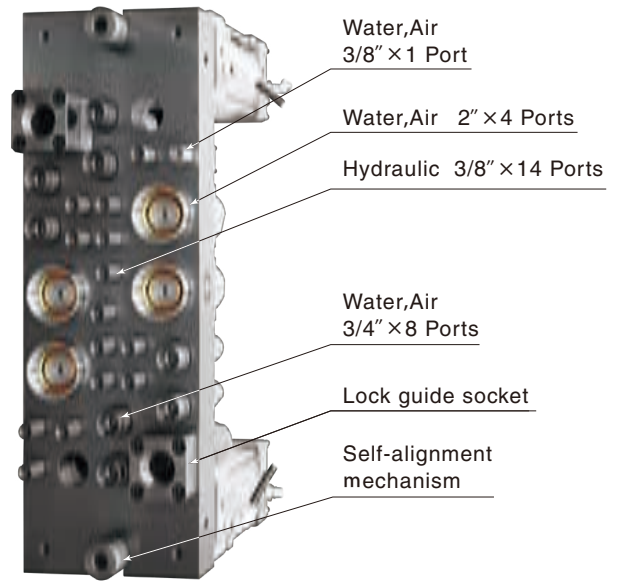
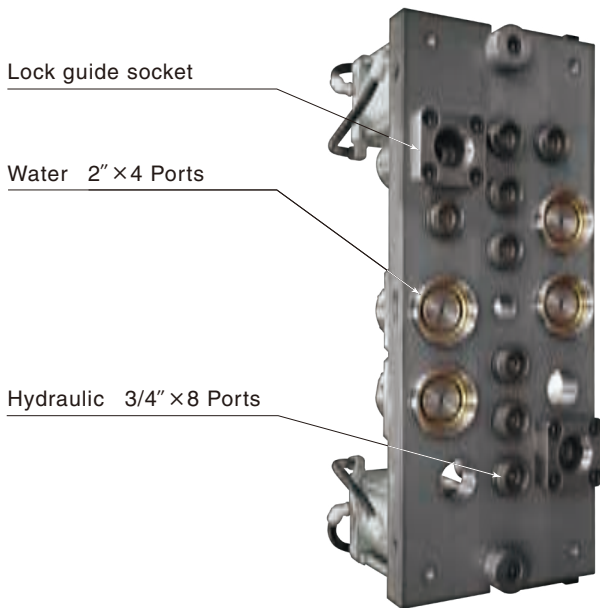
Fixed machine side Electric connector  
width : 400 × height : 155 (mm)



\* The size width × height is value excluding the bracket.

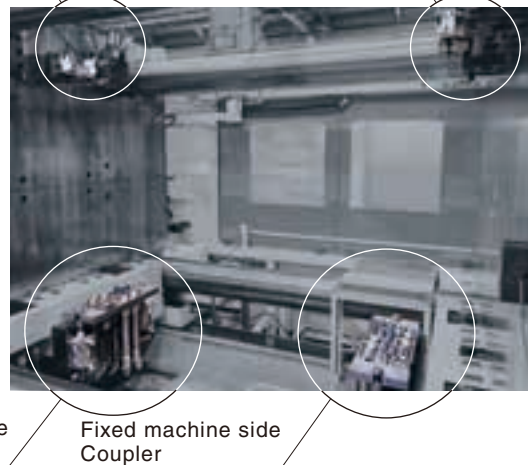
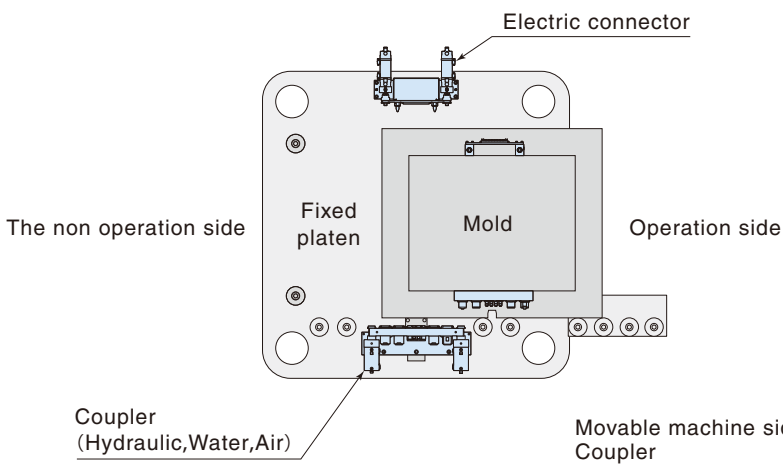
Movable machine side auto coupler  
width : 320 × height : 810 (mm)

Fixed machine side auto coupler  
width : 350 × height : 925 (mm)



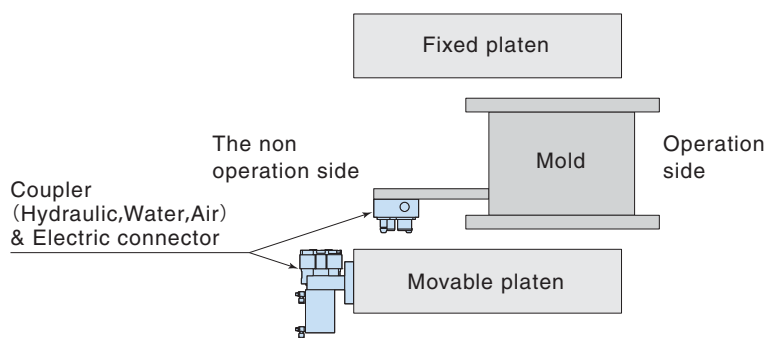
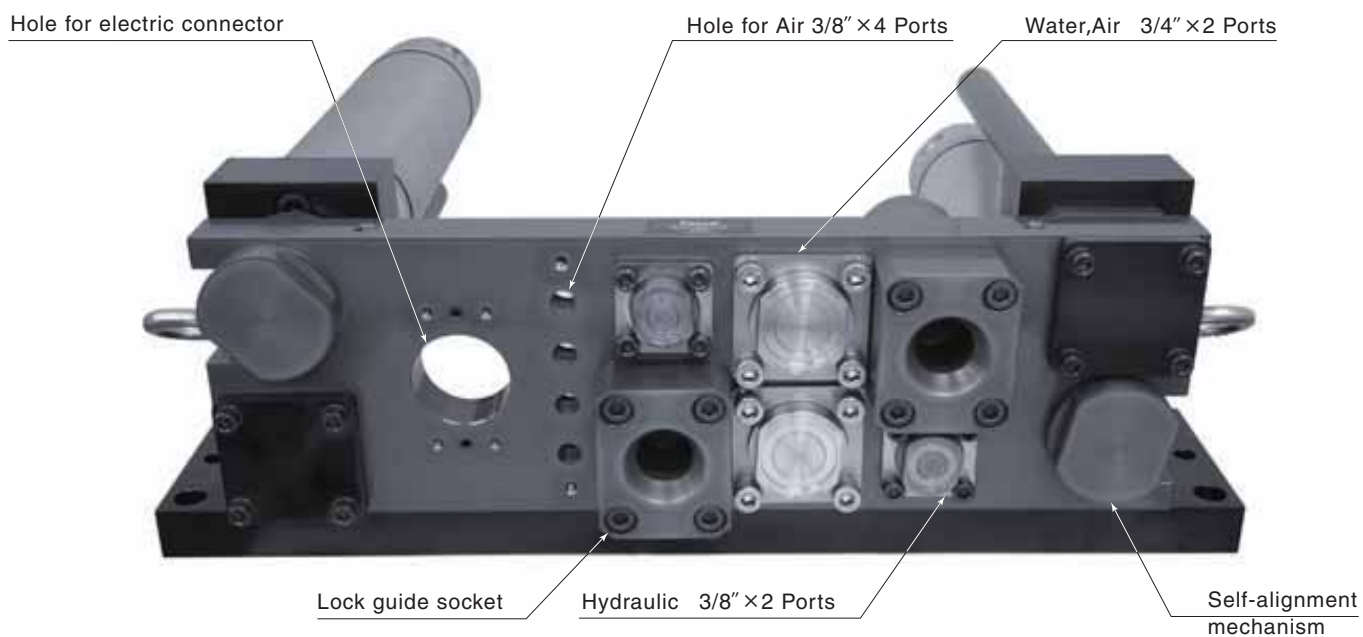
Movable machine side Electric connector

Fixed machine side Electric connector



Fluid		Hydraulic (General mineral based hydraulic oil)					Water & Air							Electric connector		
Connection port		1/4"	3/8"	1/2"	3/4"	1"	1/8"	1/4"	3/8"	1/2"	3/4"	1"	1 1/4"		1 1/2"	2"
Pieces	Fixed platen		14						1	8					4	○
	Movable platen								8						4	○

Movable machine side  
width : 420 × height : 130 (mm)



Fluid Connection port	Hydraulic (General mineral based hydraulic oil)					Water & Air							Electric connector		
	1/4"	3/8"	1/2"	3/4"	1"	1/8"	1/4"	3/8"	1/2"	3/4"	1"	1 1/4"		1 1/2"	2"
Pieces		2						(4)		2					Mountable



Machine side

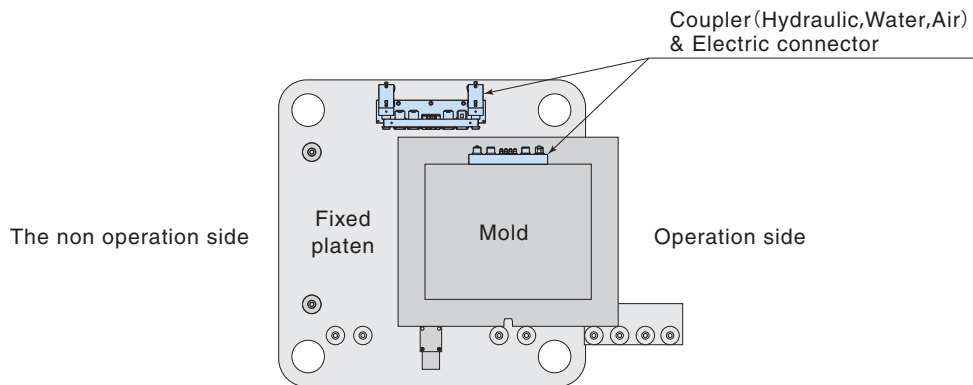
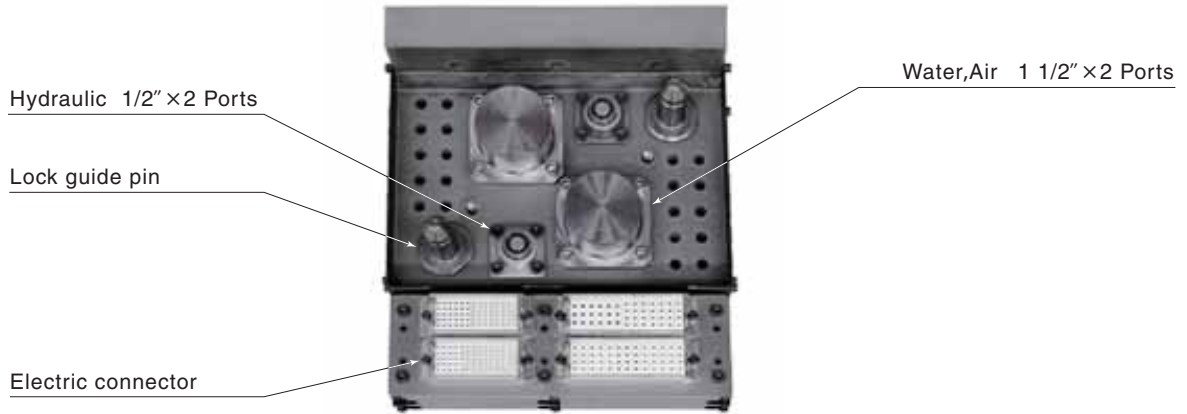
width : 455 × height : 300 (mm)

\* The size width × height is value excluding the bracket.



Mold side

width : 300 × height : 350 (mm)

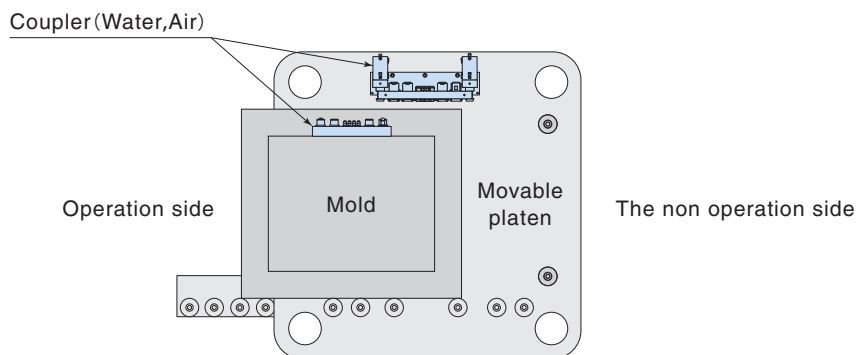


Fluid	Hydraulic (General mineral based hydraulic oil)					Water & Air							Electric connector		
	1/4"	3/8"	1/2"	3/4"	1"	1/8"	1/4"	3/8"	1/2"	3/4"	1"	1 1/4"		1 1/2"	2"
Connection port			2					20					2		
Pieces															○

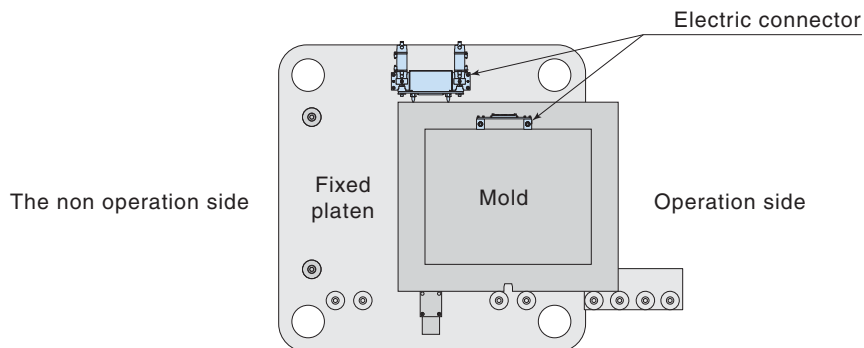
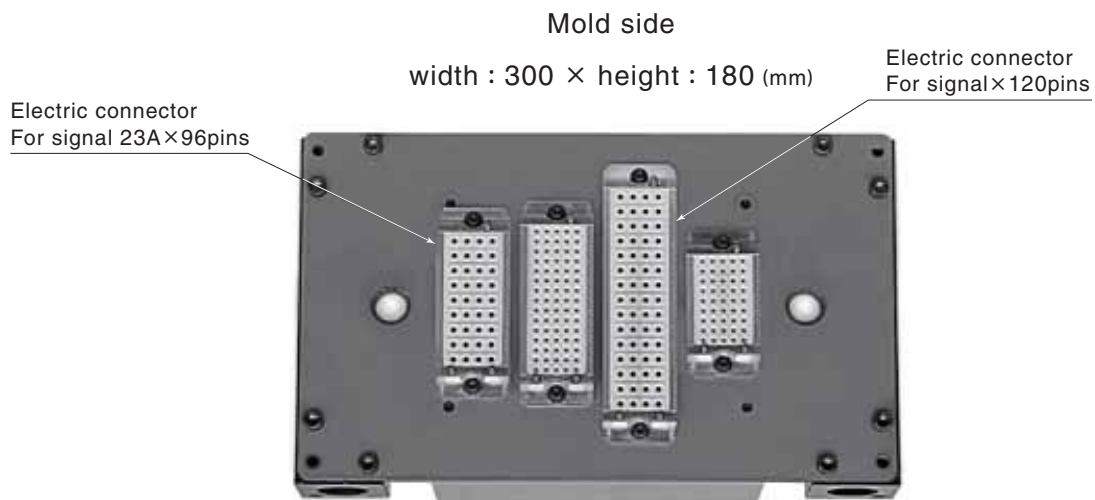
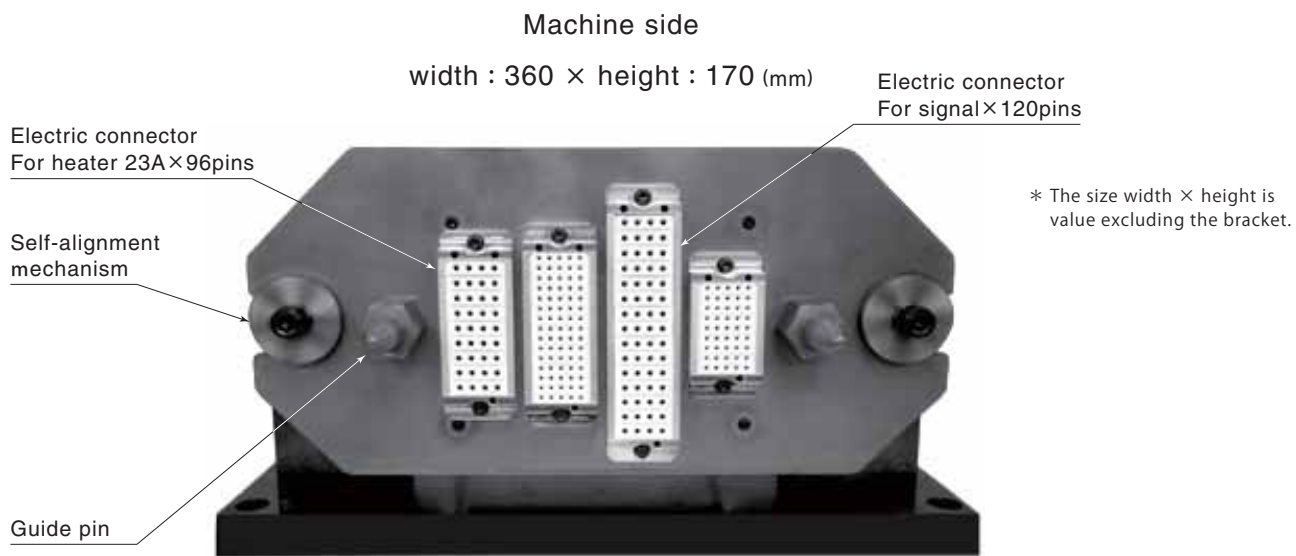
\* The size width × height is value excluding the bracket.

Machine side

width : 510 × height : 160 (mm)

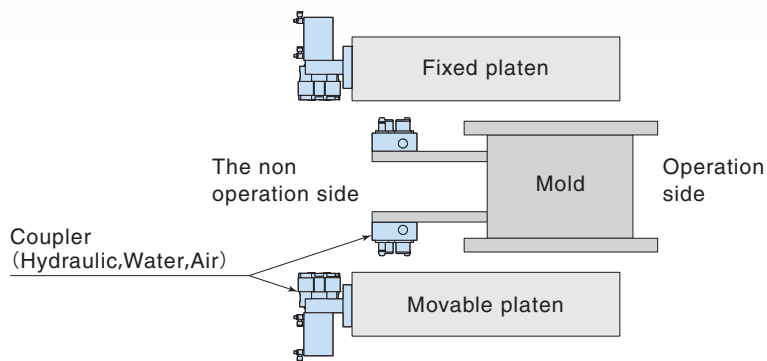
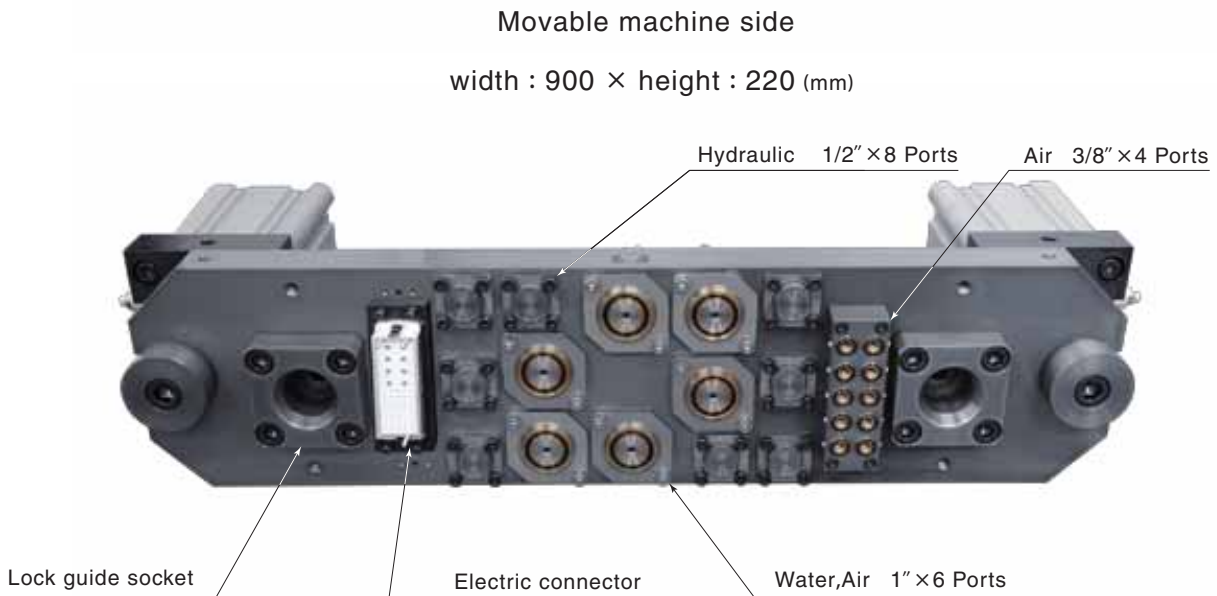
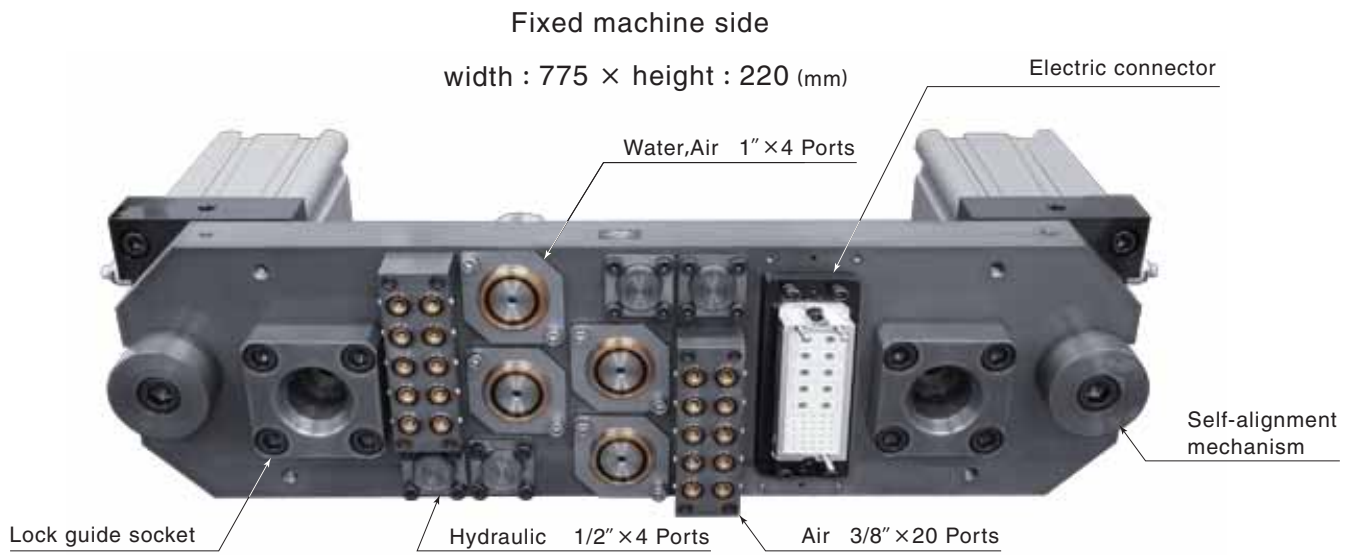


Fluid	Hydraulic (General mineral based hydraulic oil)					Water & Air							Electric connector		
	1/4"	3/8"	1/2"	3/4"	1"	1/8"	1/4"	3/8"	1/2"	3/4"	1"	1 1/4"		1 1/2"	2"
Connection port															
Pieces								2			5				-



**Electric connector**  
For heater 23A × 96pins For signal × 120pins





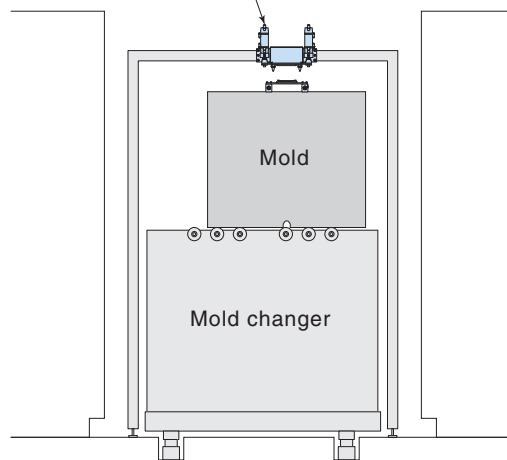
Fluid		Hydraulic (General mineral based hydraulic oil)					Water & Air							Electric connector		
Connection port		1/4"	3/8"	1/2"	3/4"	1"	1/8"	1/4"	3/8"	1/2"	3/4"	1"	1 1/4"		1 1/2"	2"
Pieces	Fixed platen			4					20			4				Mountable
	Movable platen			8					10			6				Mountable

Machine side  
width : 440 × height : 170 (mm)

\* The size width × height is value excluding the bracket.



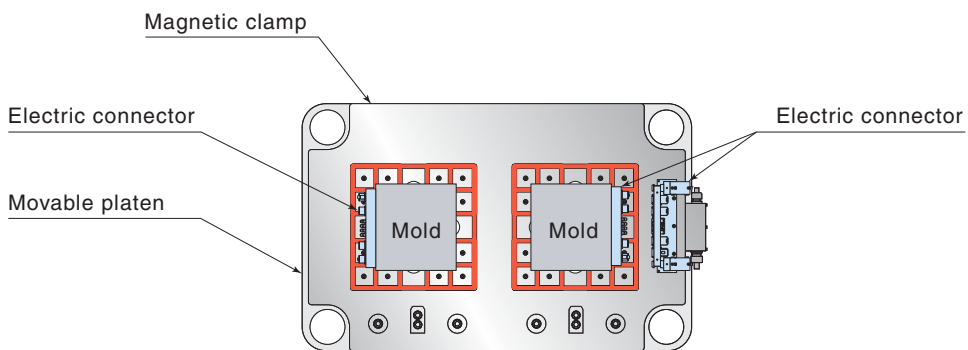
Electric connector  
(Mounting position:  
Upper part of mold changer)



Electric connector

37pins × 3

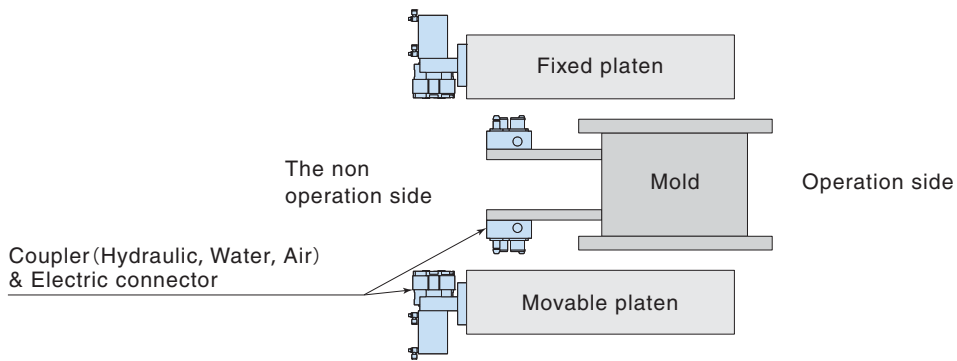
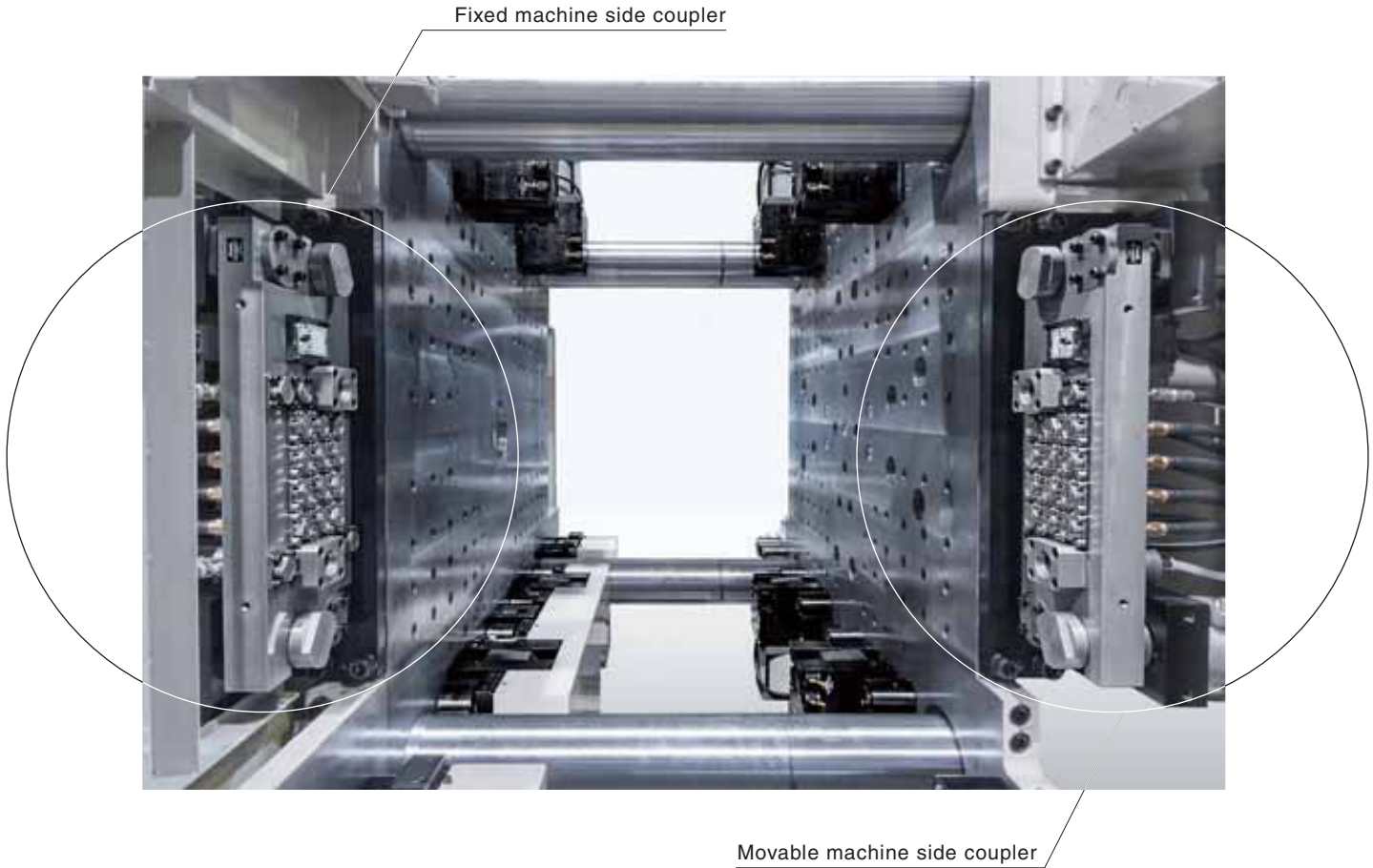
width : 198 × height : 45 (mm)



**Electric connector**  
For power of mag clamp 60A × 8pins

Fixed platen side  
width : 210 × height : 550 (mm)

Movable platen side  
width : 175 × height : 550 (mm)

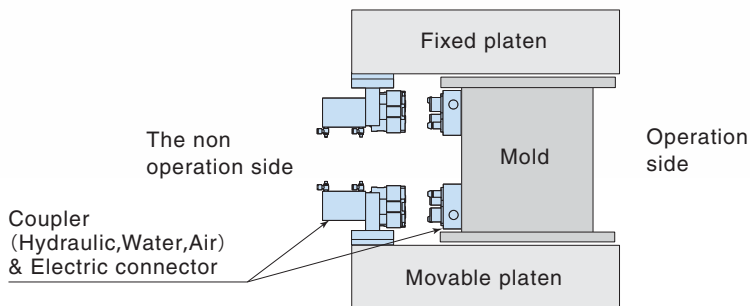
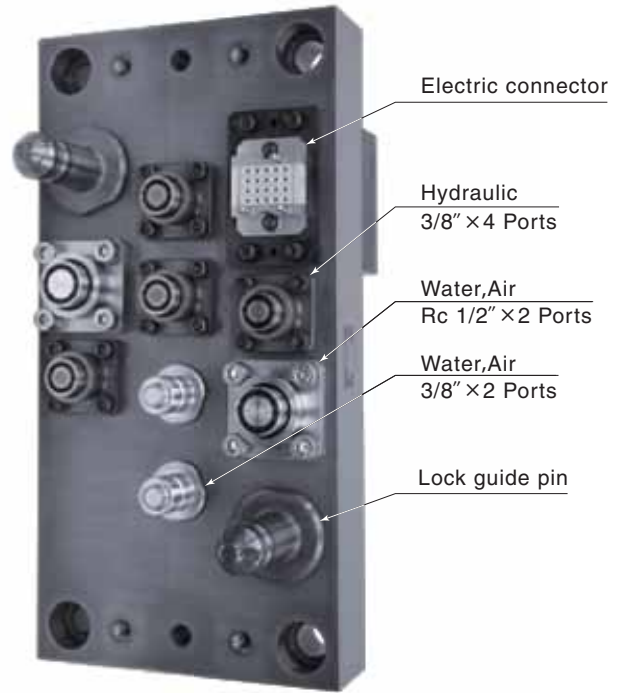
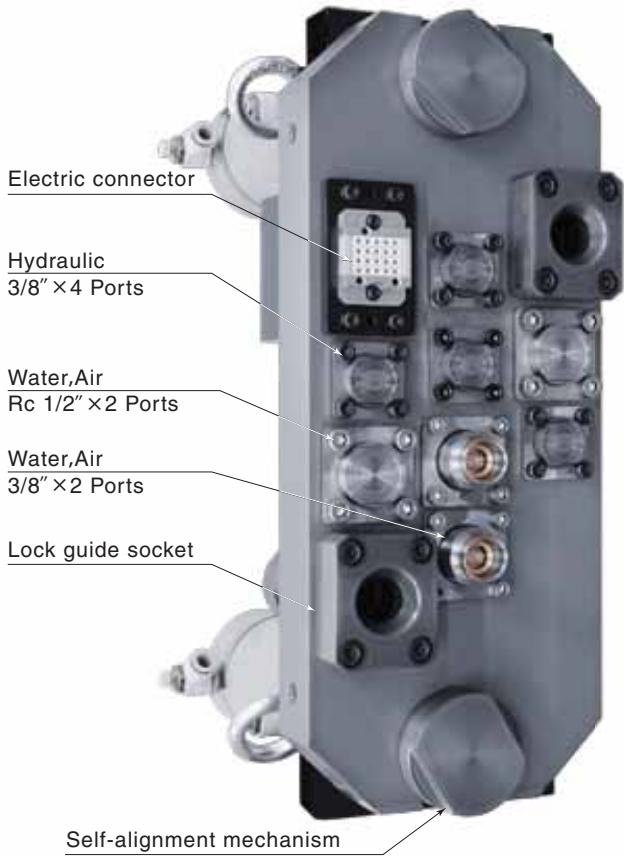


Fluid		Hydraulic (General mineral based hydraulic oil)					Water & Air							Electric connector		
Connection port		1/4"	3/8"	1/2"	3/4"	1"	1/8"	1/4"	3/8"	1/2"	3/4"	1"	1 1/4"		1 1/2"	2"
Pieces	Fixed platen	6							12							○
	Movable platen	2							12							○



Fixed machine side  
width : 430 × height : 175 (mm)

Fixed Mold side  
width : 350 × height : 175 (mm)



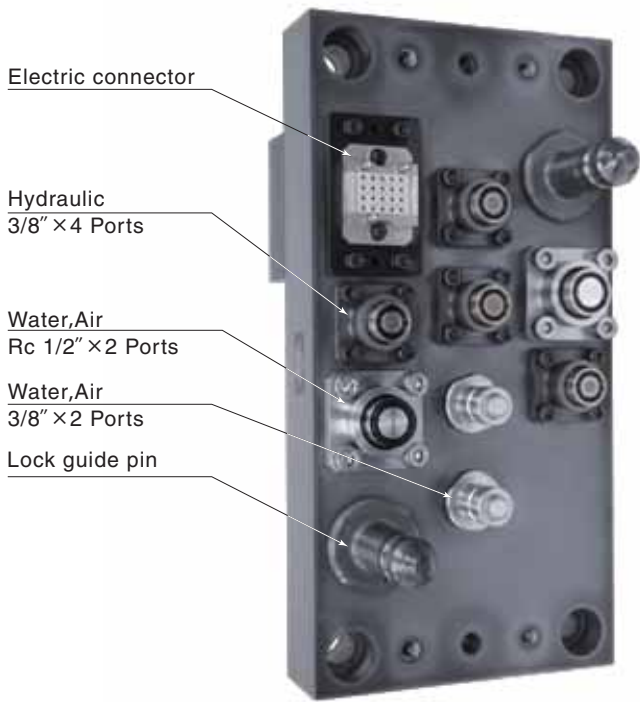
Fluid	Hydraulic (General mineral based hydraulic oil)					Water & Air							Electric connector		
Connection port	1/4"	3/8"	1/2"	3/4"	1"	1/8"	1/4"	3/8"	1/2"	3/4"	1"	1 1/4"	1 1/2"	2"	
Pieces		4						2	2						○

Movable Mold side

width : 350 × height : 175 (mm)

Movable machine side

width : 430 × height : 175 (mm)



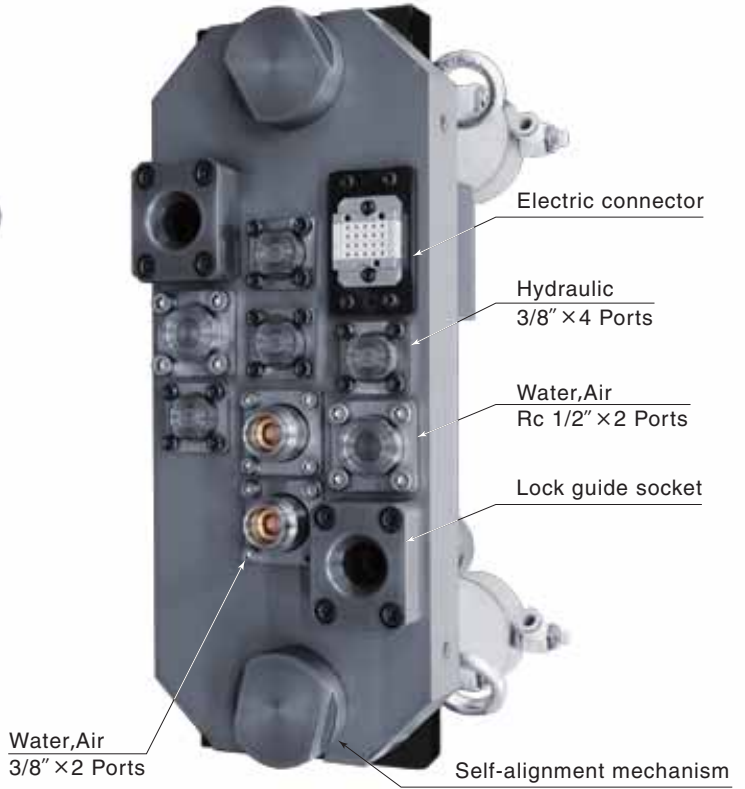
Electric connector

Hydraulic  
3/8" × 4 Ports

Water,Air  
Rc 1/2" × 2 Ports

Water,Air  
3/8" × 2 Ports

Lock guide pin



Electric connector

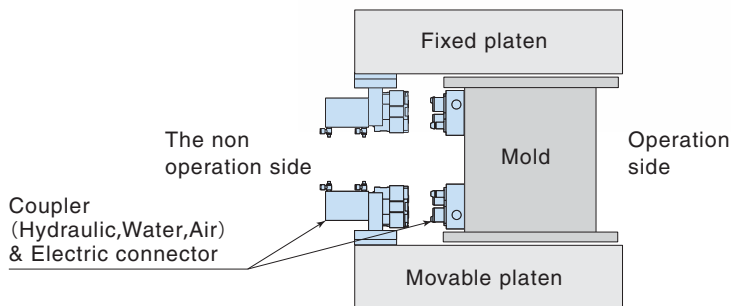
Hydraulic  
3/8" × 4 Ports

Water,Air  
Rc 1/2" × 2 Ports

Lock guide socket

Water,Air  
3/8" × 2 Ports

Self-alignment mechanism



Fixed platen

The non  
operation side

Operation  
side

Coupler  
(Hydraulic,Water,Air)  
& Electric connector

Movable platen

Mold

Fluid	Hydraulic (General mineral based hydraulic oil)					Water & Air							Electric connector		
	1/4"	3/8"	1/2"	3/4"	1"	1/8"	1/4"	3/8"	1/2"	3/4"	1"	1 1/4"		1 1/2"	2"
Connection port															
Pieces		4						2	2						○

Mold side

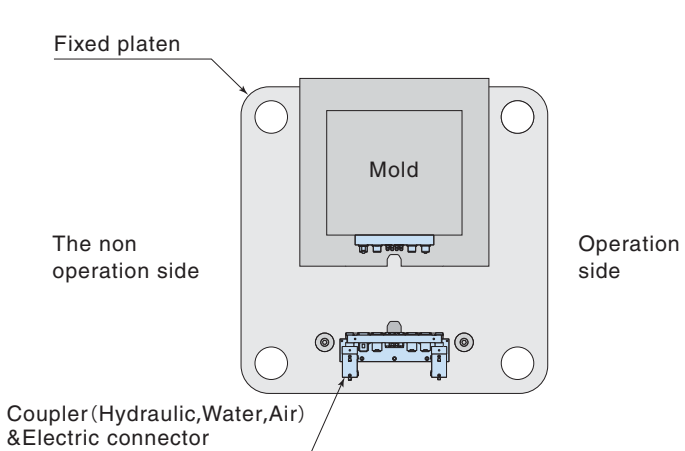
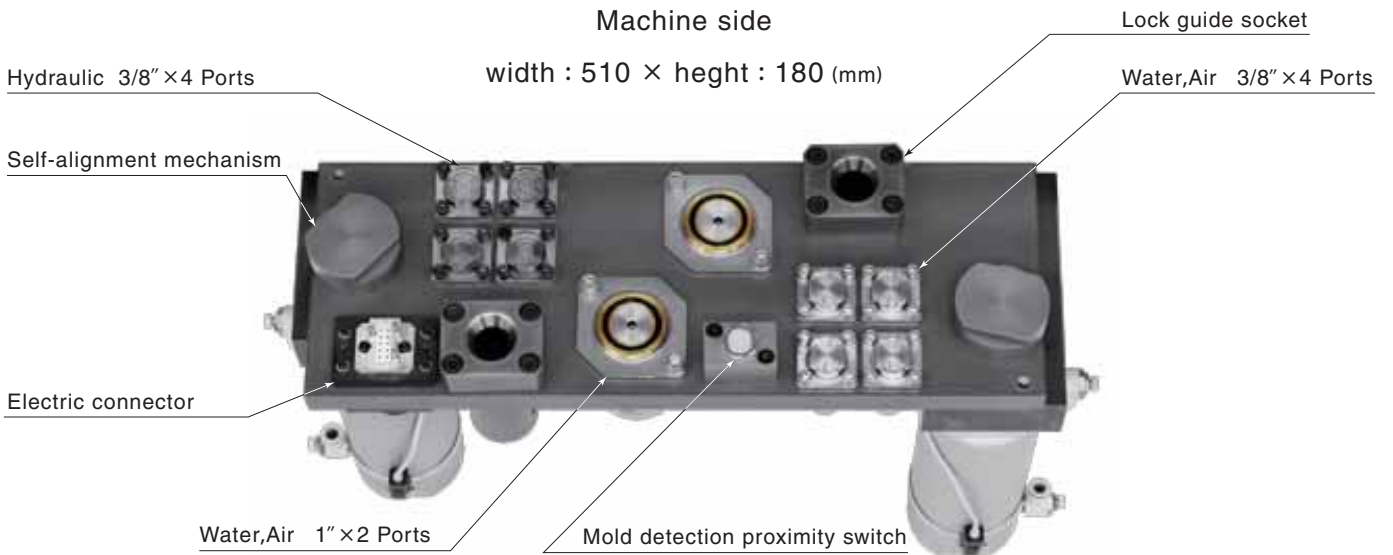
width : 580 × heght : 200 (mm)

\* The size width × height is value excluding the bracket.



Machine side

width : 510 × heght : 180 (mm)

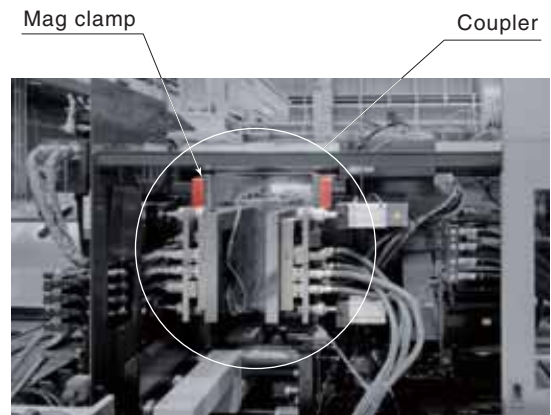
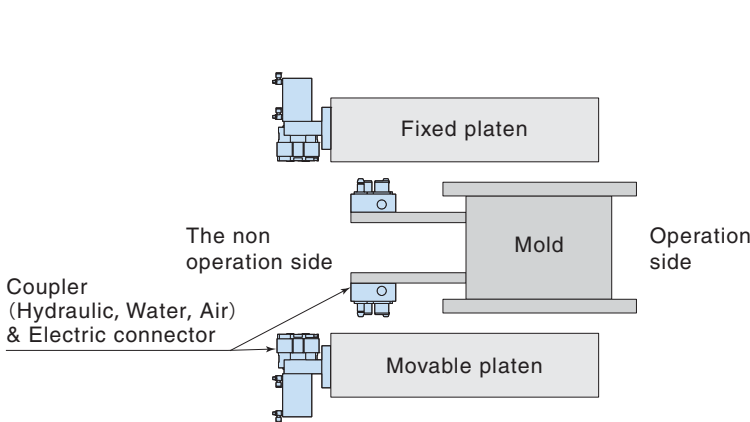
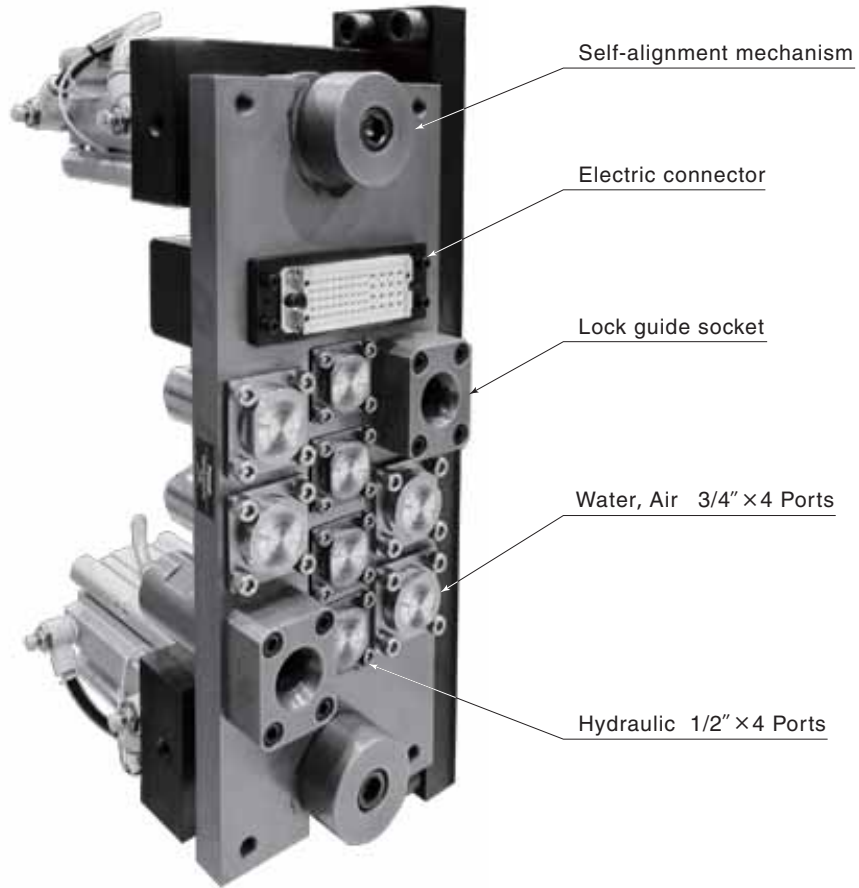


Fluid		Hydraulic (General mineral based hydraulic oil)					Water & Air							Electric connector		
Connection port		1/4"	3/8"	1/2"	3/4"	1"	1/8"	1/4"	3/8"	1/2"	3/4"	1"	1 1/4"		1 1/2"	2"
Pieces	Fixed platen		4						4			2				○
	Movable platen								4			2				○

Machine side (Movable platen)

width : 180 × height : 465 (mm)

\* The size width × height is value excluding the bracket.



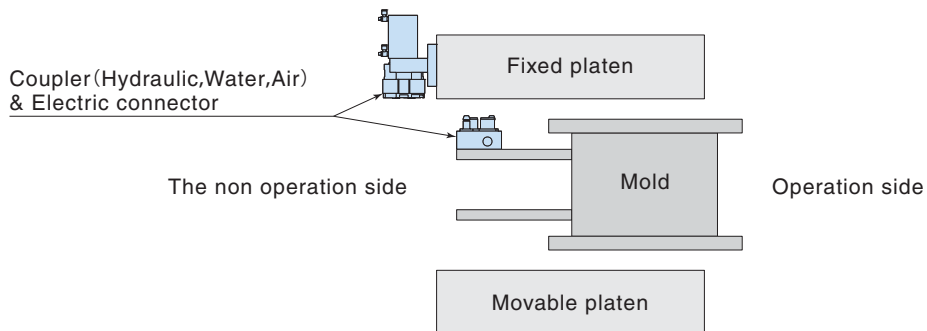
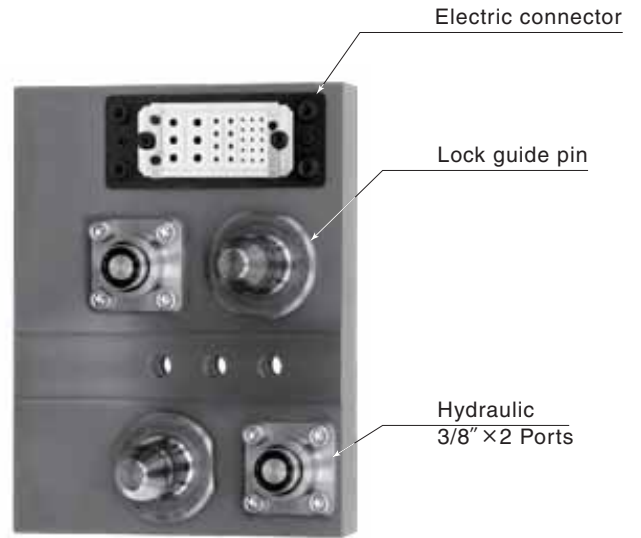
Fluid		Hydraulic (General mineral based hydraulic oil)					Water & Air							Electric connector		
Connection port		1/4"	3/8"	1/2"	3/4"	1"	1/8"	1/4"	3/8"	1/2"	3/4"	1"	1 1/4"	1 1/2"	2"	
Pieces	Fixed platen			4							4					○
	Movable platen			4							4					○



Machine side  
width : 125 × height : 325 (mm)

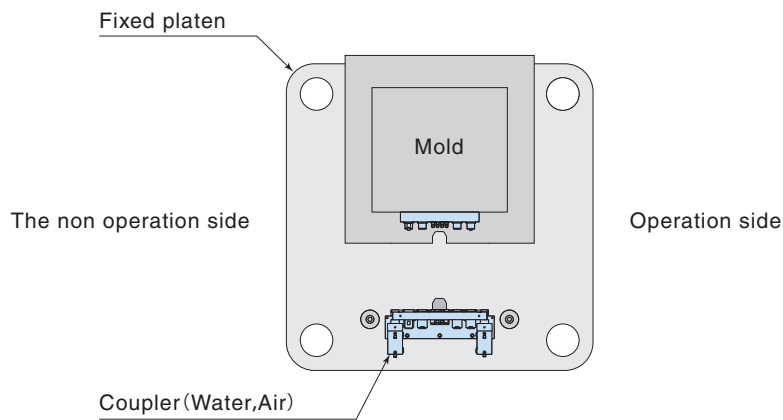
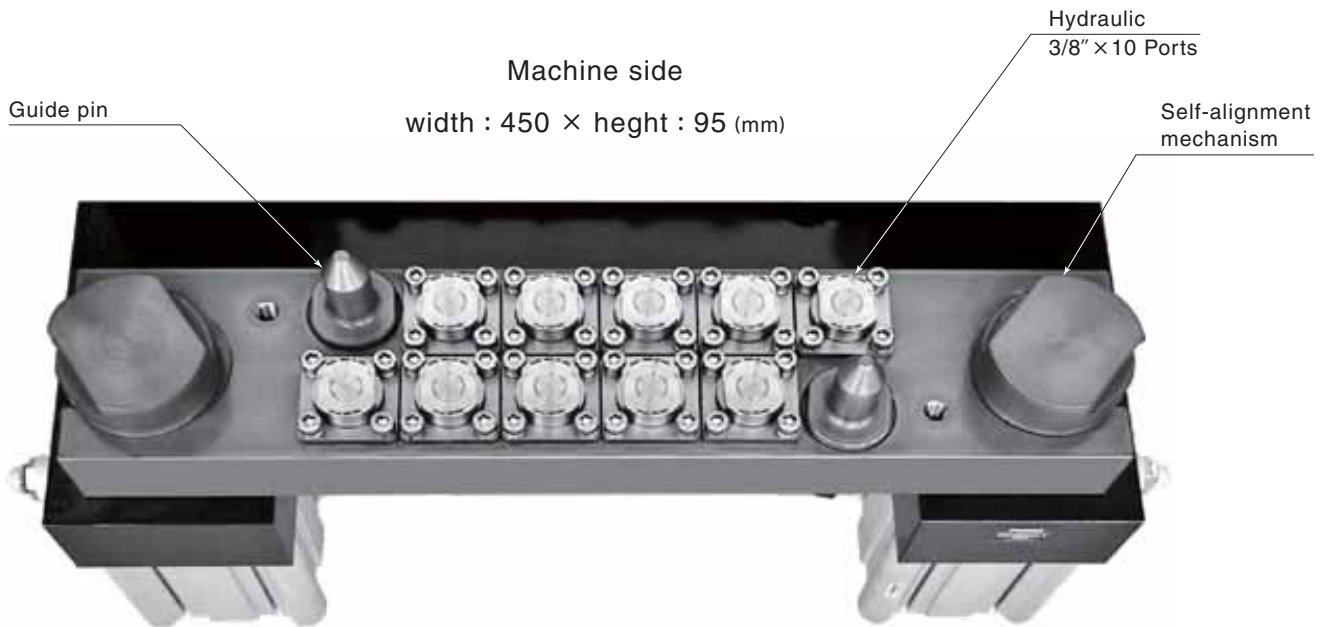
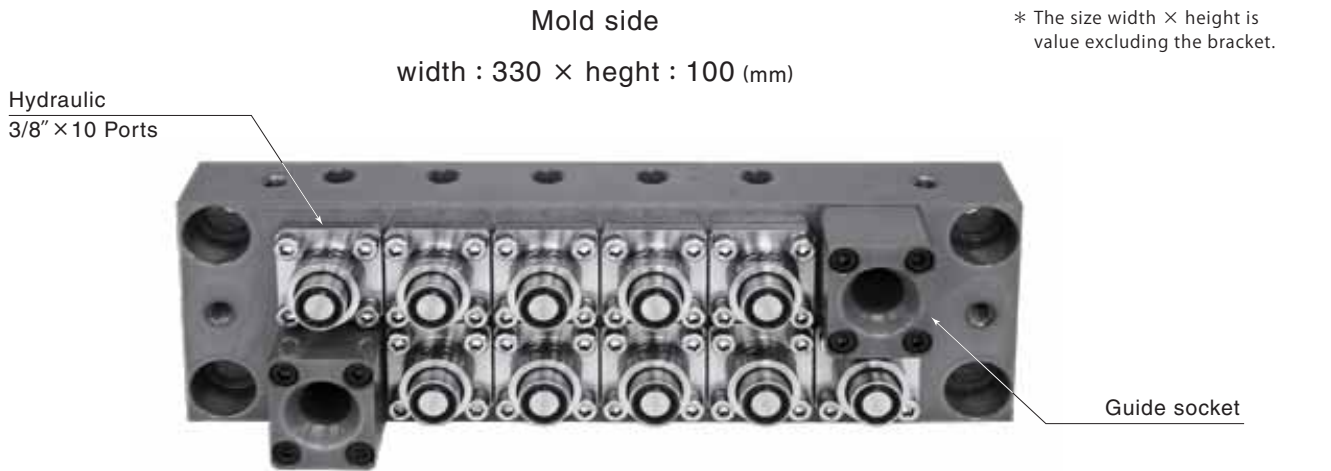
Mold side  
width : 150 × height : 200 (mm)

\* The size width × height is value excluding the bracket.



Fluid	Hydraulic (General mineral based hydraulic oil)					Water & Air							Electric connector		
	1/4"	3/8"	1/2"	3/4"	1"	1/8"	1/4"	3/8"	1/2"	3/4"	1"	1 1/4"		1 1/2"	2"
Connection port															
Pieces		2						3							○

\* The size width × height is value excluding the bracket.



Fluid	Hydraulic (General mineral based hydraulic oil)					Water & Air							Electric connector		
Connection port	1/4"	3/8"	1/2"	3/4"	1"	1/8"	1/4"	3/8"	1/2"	3/4"	1"	1 1/4"	1 1/2"	2"	
Pieces								10							-

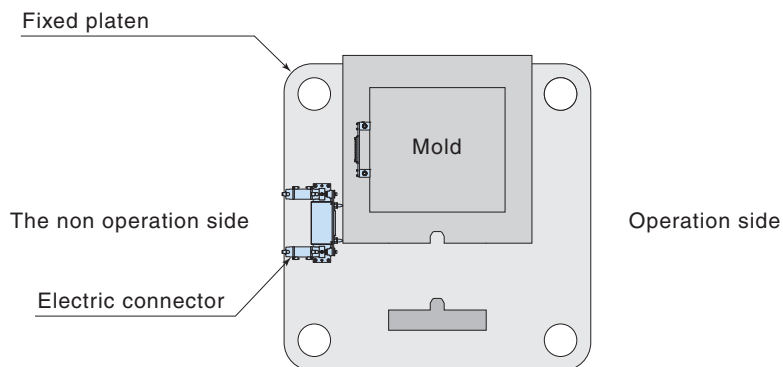
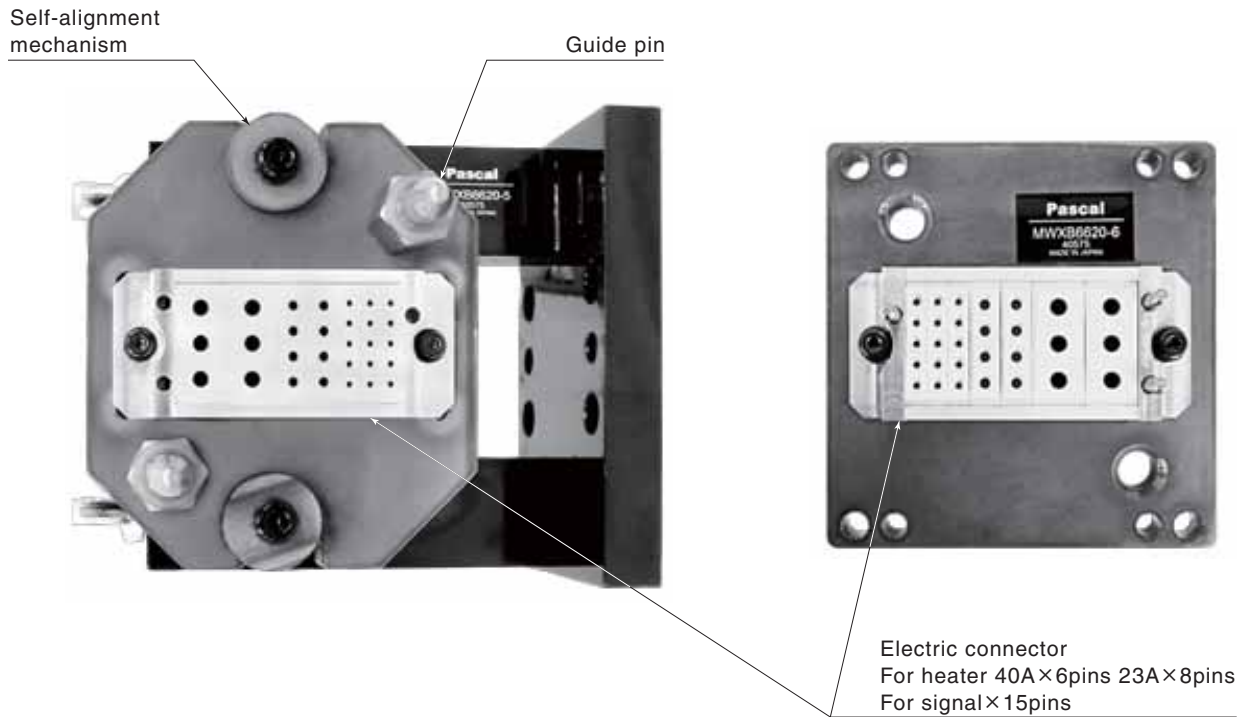
\* The size width × height is value excluding the bracket.

Machine side

width : 115 × height : 100 (mm)

Mold side

width : 105 × height : 100 (mm)



**Electric connector**

For heater 40A × 6pins, 23A × 8pins For signal × 15pins

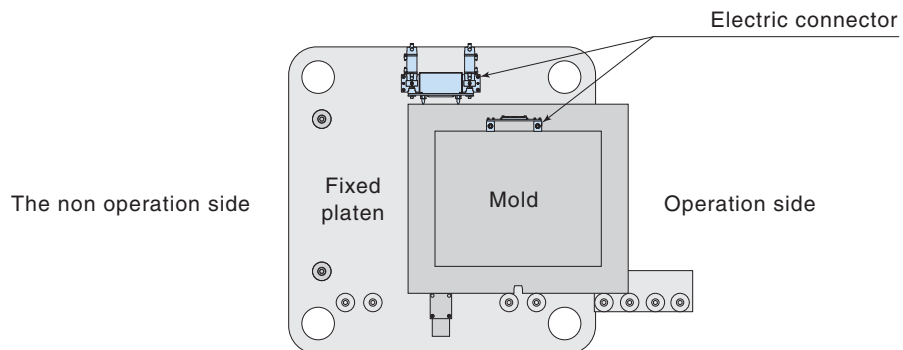
Machine side  
width : 140 × height : 85 (mm)

\* The size width × height is value excluding the bracket.

Electric connector  
24pins+30pins

Self-alignment  
mechanism

Guide pin



Electric connector

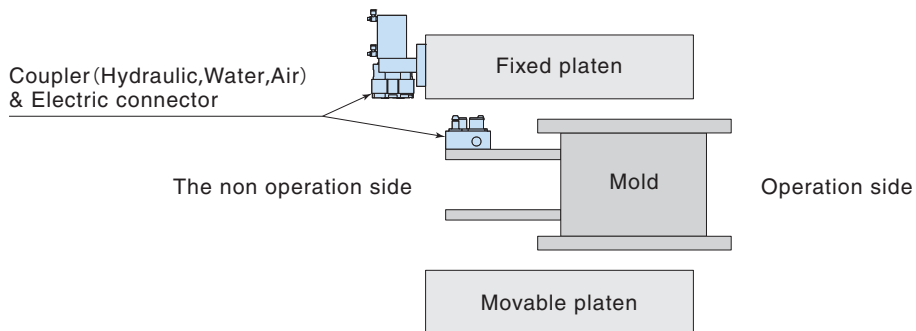
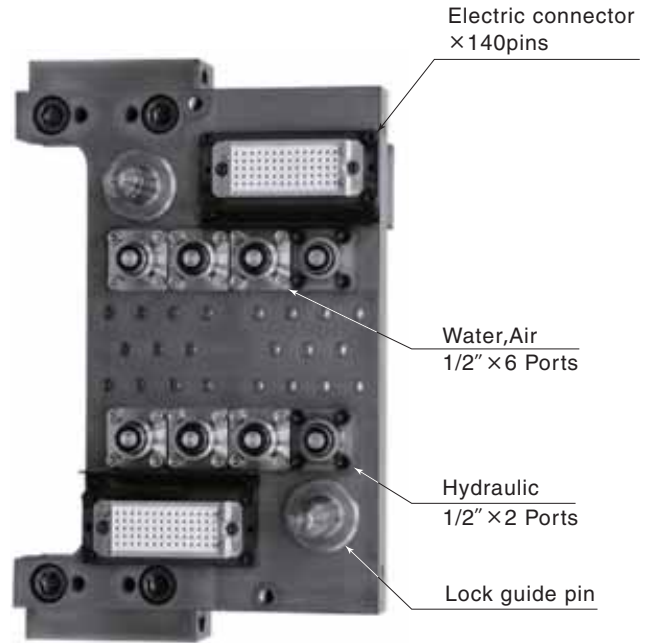
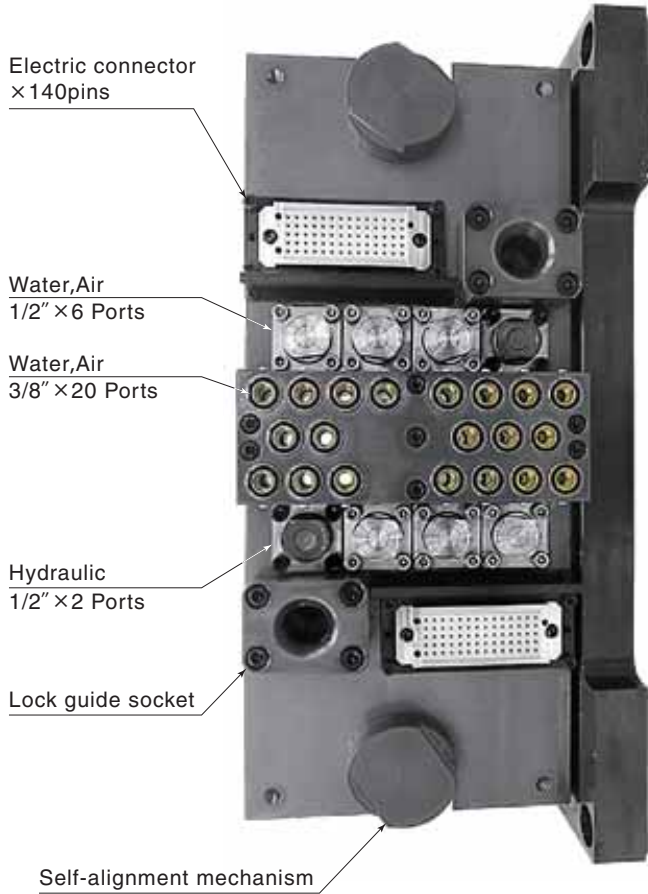
24pins+30pins



Machine side  
width : 480 × height : 200 (mm)

Mold side  
width : 350 × height : 250 (mm)

\* The size width × height is value excluding the bracket.

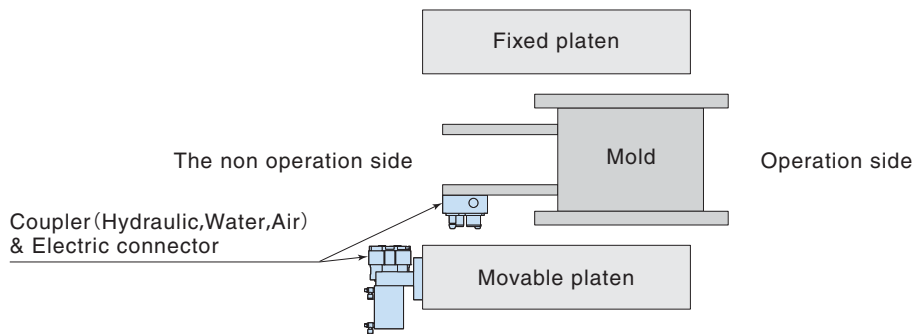
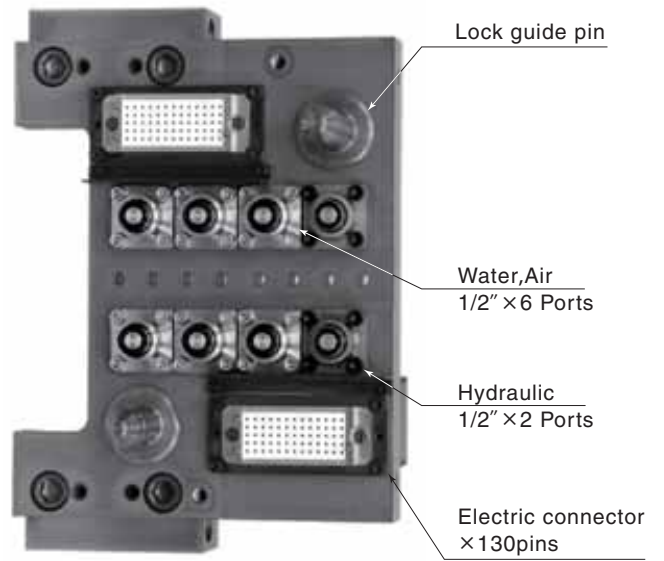
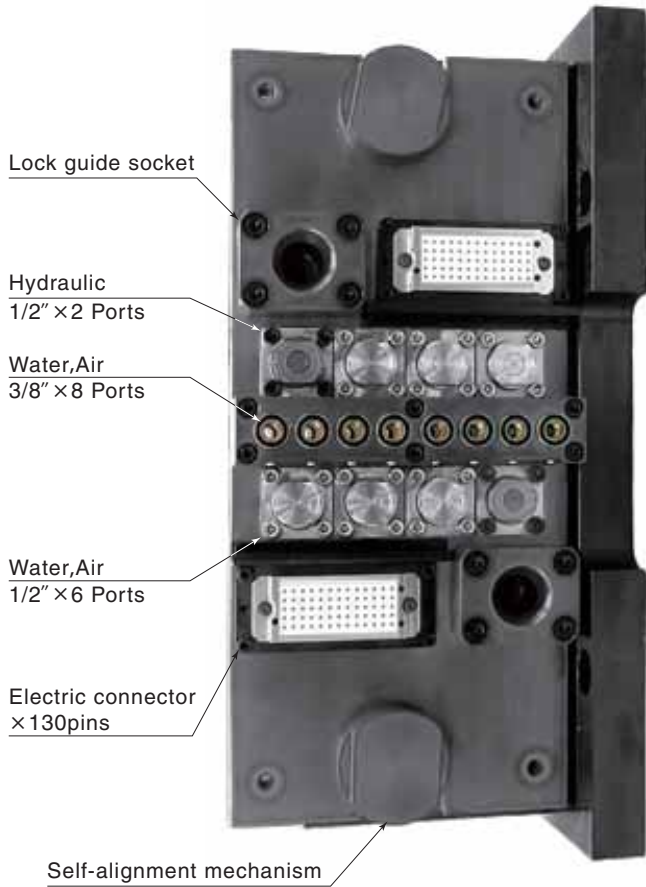


Fluid	Hydraulic (General mineral based hydraulic oil)					Water & Air							Electric connector		
	1/4"	3/8"	1/2"	3/4"	1"	1/8"	1/4"	3/8"	1/2"	3/4"	1"	1 1/4"		1 1/2"	2"
Connection port			2					20	6						140pins
Pieces															

Machine side  
width : 450 × height : 200 (mm)

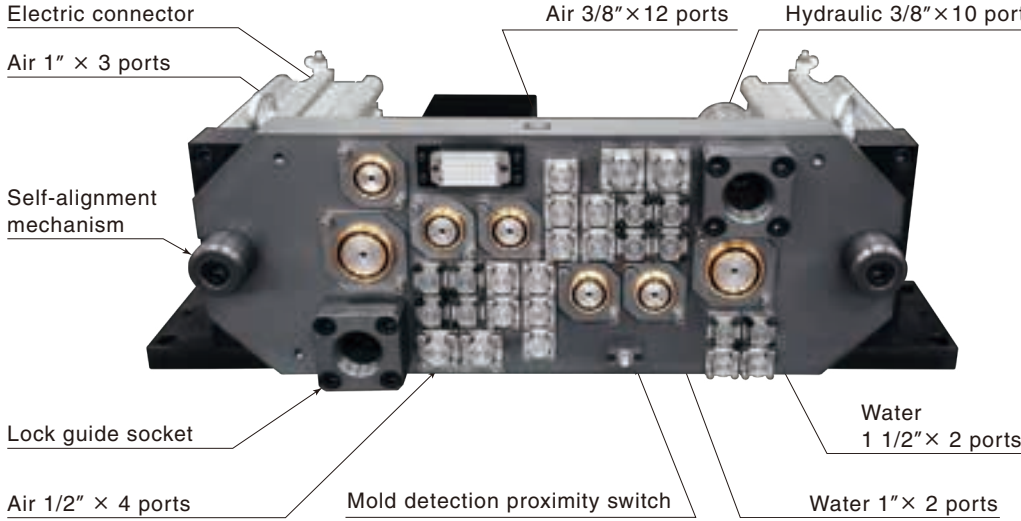
Mold side  
width : 310 × height : 250 (mm)

\* The size width × height is value excluding the bracket.

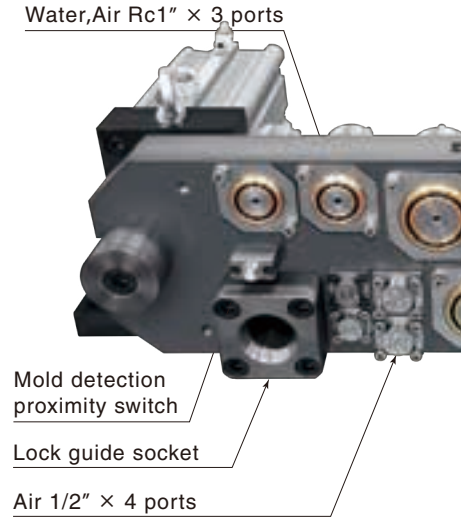


Fluid	Hydraulic (General mineral based hydraulic oil)					Water & Air							Electric connector		
	1/4"	3/8"	1/2"	3/4"	1"	1/8"	1/4"	3/8"	1/2"	3/4"	1"	1 1/4"		1 1/2"	2"
Connection port			2					8	6						
Pieces															130pins

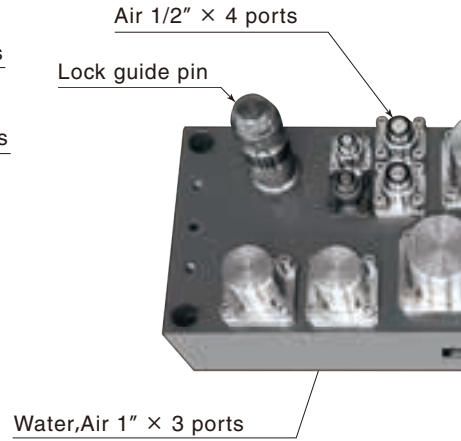
Machine side for Upper  
width : 830 × height : 310 (mm)



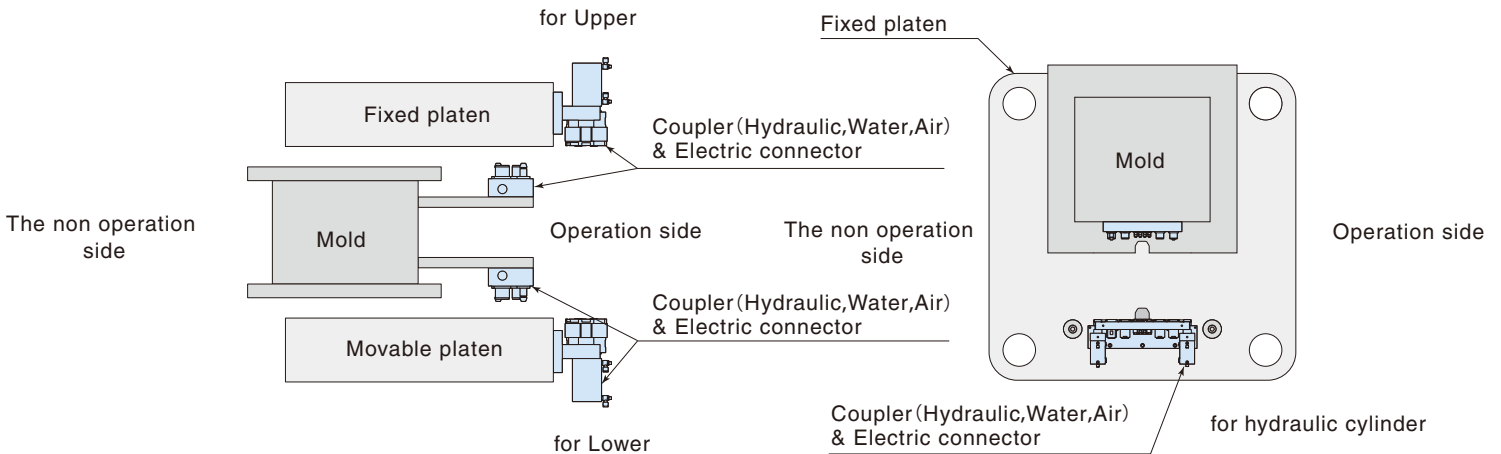
Machine side for Lower  
width : 720 × height : 230 (mm)



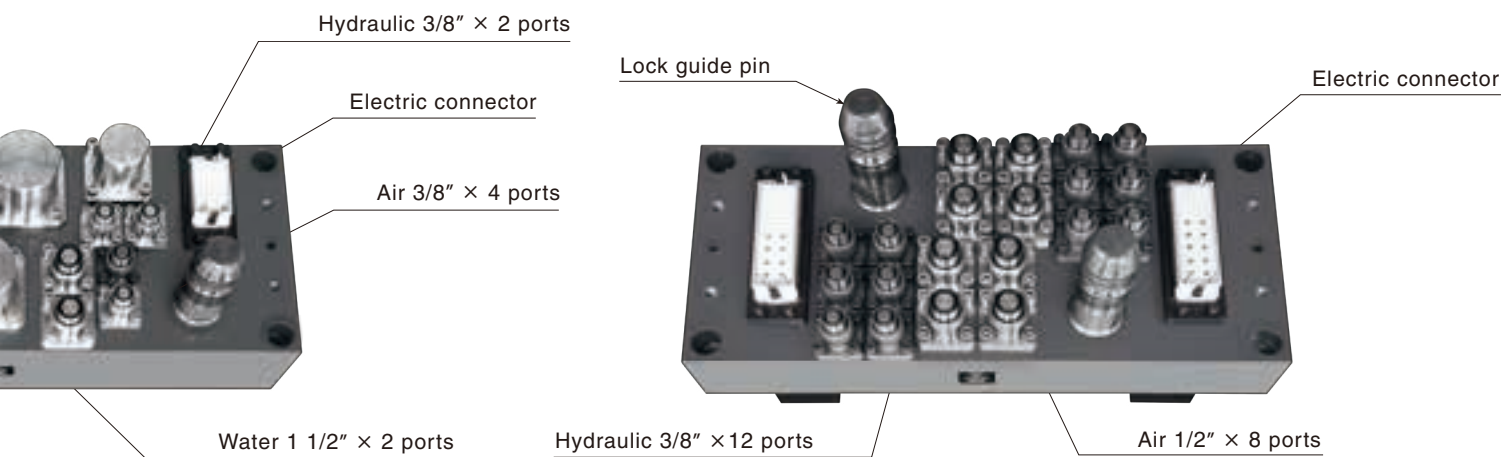
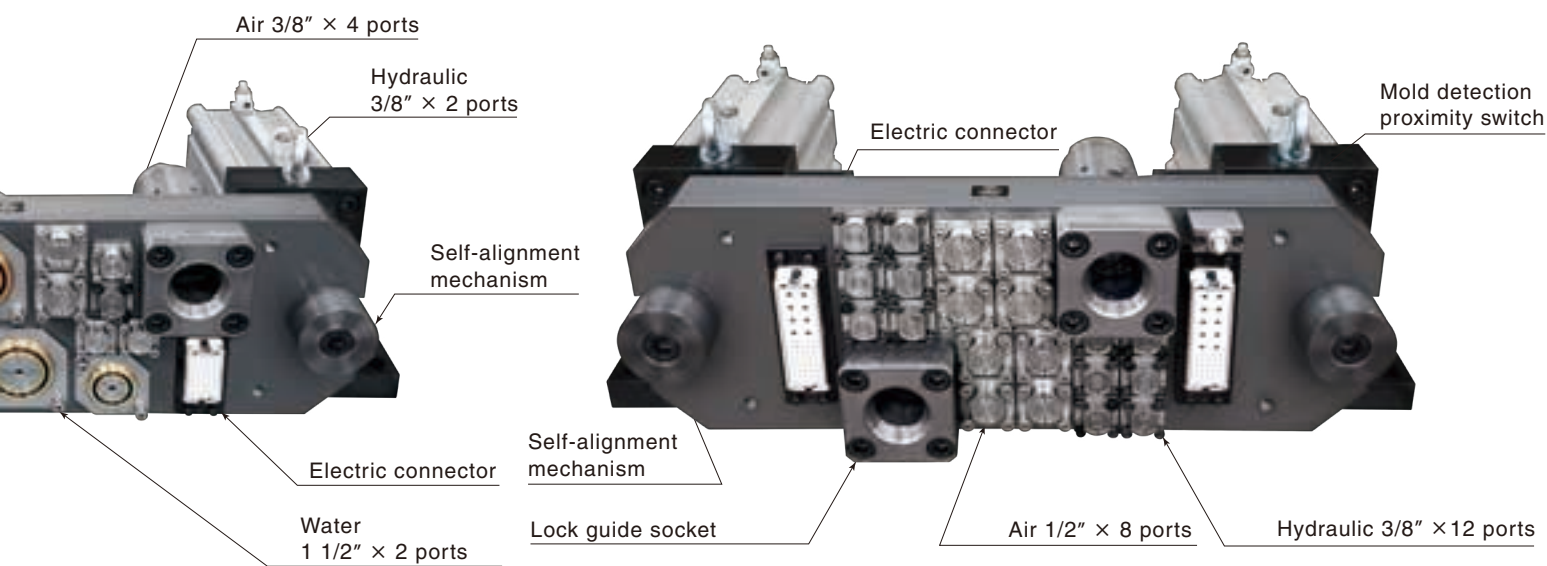
Mold side  
width : 660 × height : 310 (mm)



Mold side  
width : 570 × height : 230 (mm)



Machine side for hydraulic cylinder \* The size width × height is value excluding the bracket.  
width : 660 × height : 230 (mm)

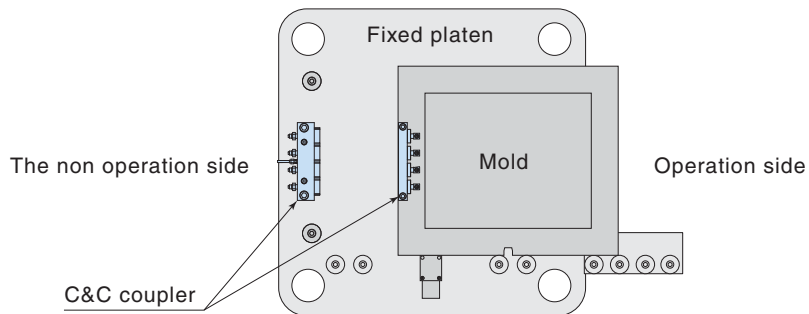
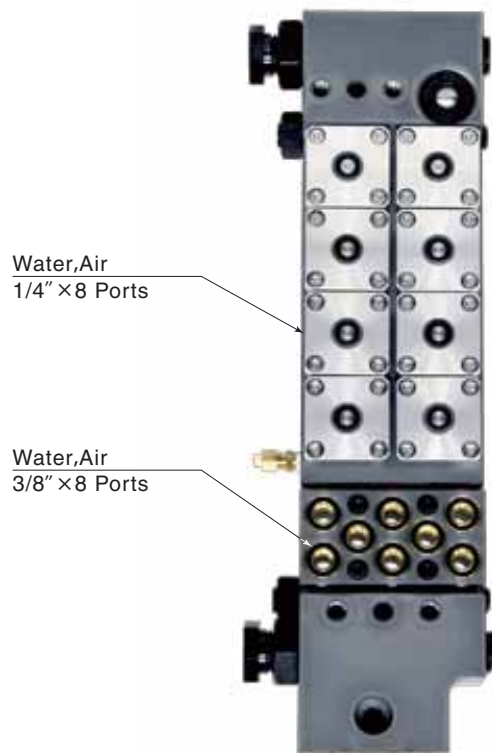


Mold side

width : 520 × height : 230 (mm)

Fluid		Hydraulic (General mineral based hydraulic oil)					Water & Air								Electric connector	
Connection port		1/4"	3/8"	1/2"	3/4"	1"	1/8"	1/4"	3/8"	1/2"	3/4"	1"	1 1/4"	1 1/2"		2"
Pieces	Upper		10						12	4		4		2		○
	Lower		2						4	4		3				○
	Hydraulic cylinder		12							8				2		○

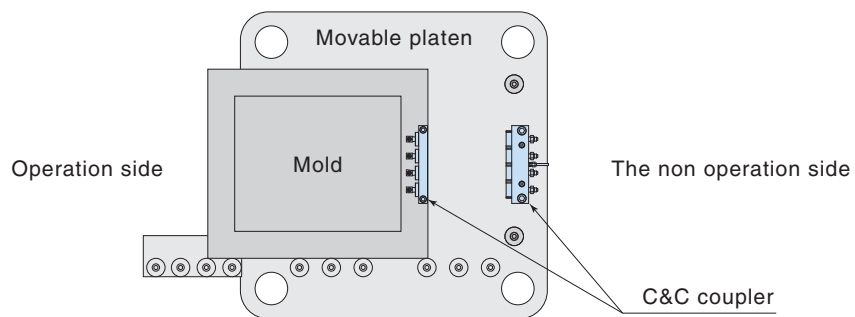
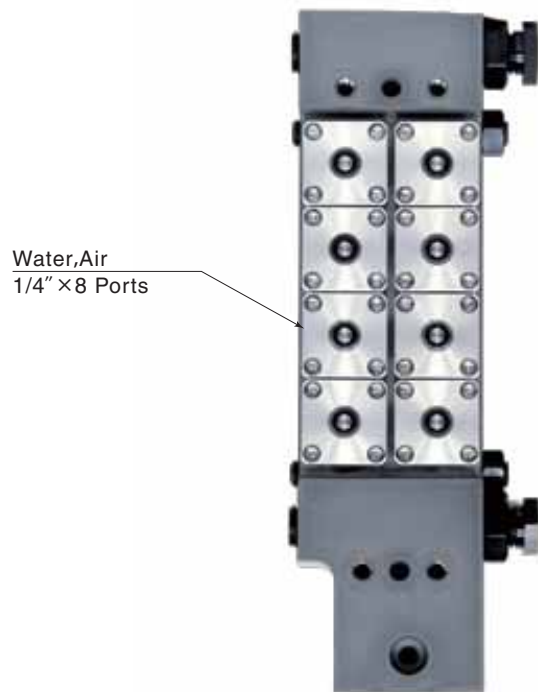
Machine side C&C coupler  
width : 100 × height : 410 (mm)



Fluid	Hydraulic (General mineral based hydraulic oil)					Water & Air							Electric connector		
Connection port	1/4"	3/8"	1/2"	3/4"	1"	1/8"	1/4"	3/8"	1/2"	3/4"	1"	1 1/4"	1 1/2"	2"	
Pieces							8	8							-

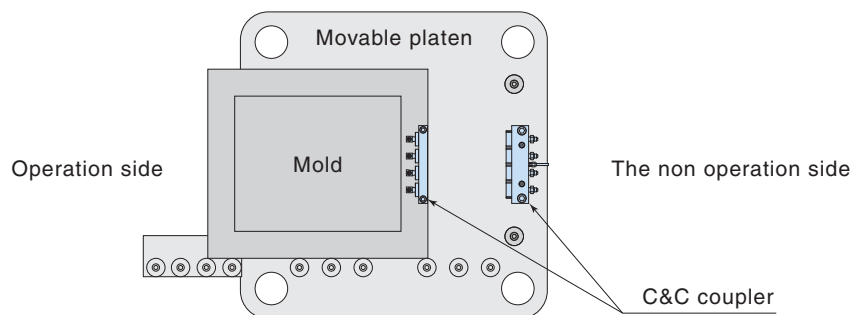
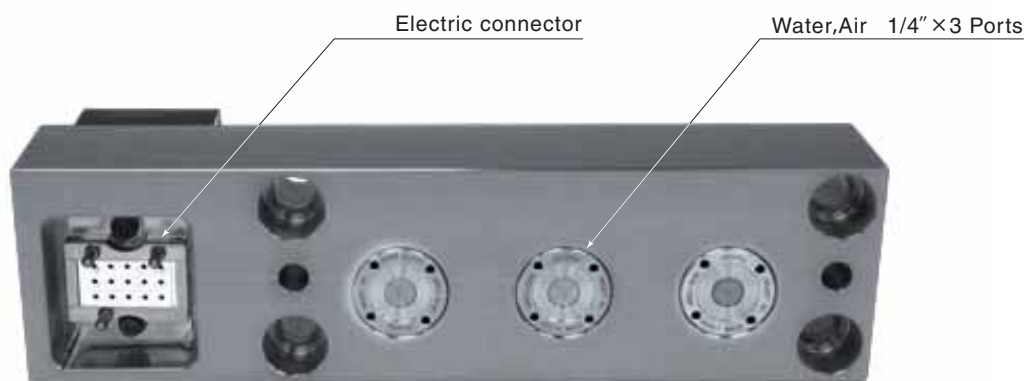


Machine side C&C coupler  
width : 100 × height : 410 (mm)



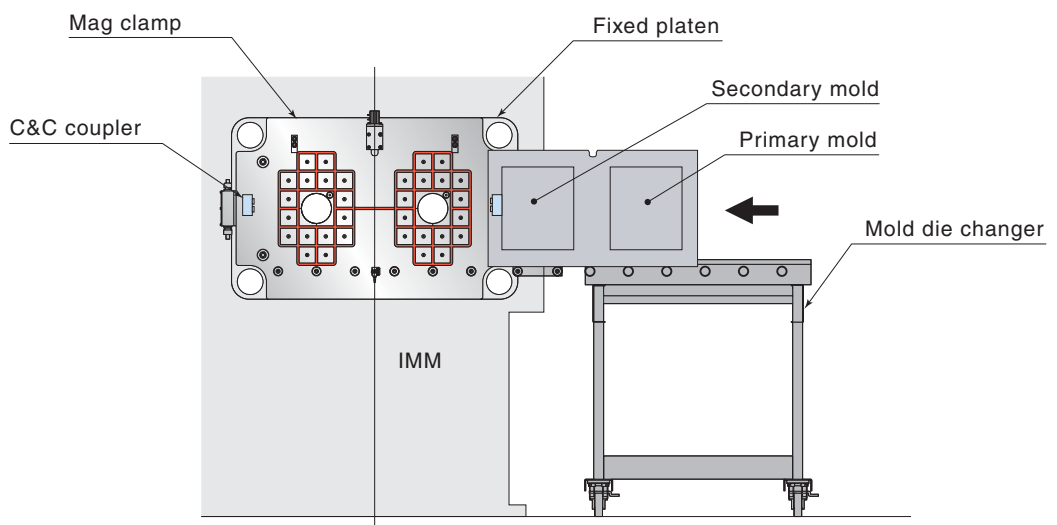
Fluid	Hydraulic (General mineral based hydraulic oil)						Water & Air								Electric connector
	1/4"	3/8"	1/2"	3/4"	1"	1/8"	1/4"	3/8"	1/2"	3/4"	1"	1 1/4"	1 1/2"	2"	
Connection port							8								
Pieces															-

width : 260 × height : 70 (mm)



Fluid	Hydraulic (General mineral based hydraulic oil)					Water & Air							Electric connector		
Connection port	1/4"	3/8"	1/2"	3/4"	1"	1/8"	1/4"	3/8"	1/2"	3/4"	1"	1 1/4"	1 1/2"	2"	
Pieces							3								○

C&C coupler  
width : 75 × height : 110 (mm)



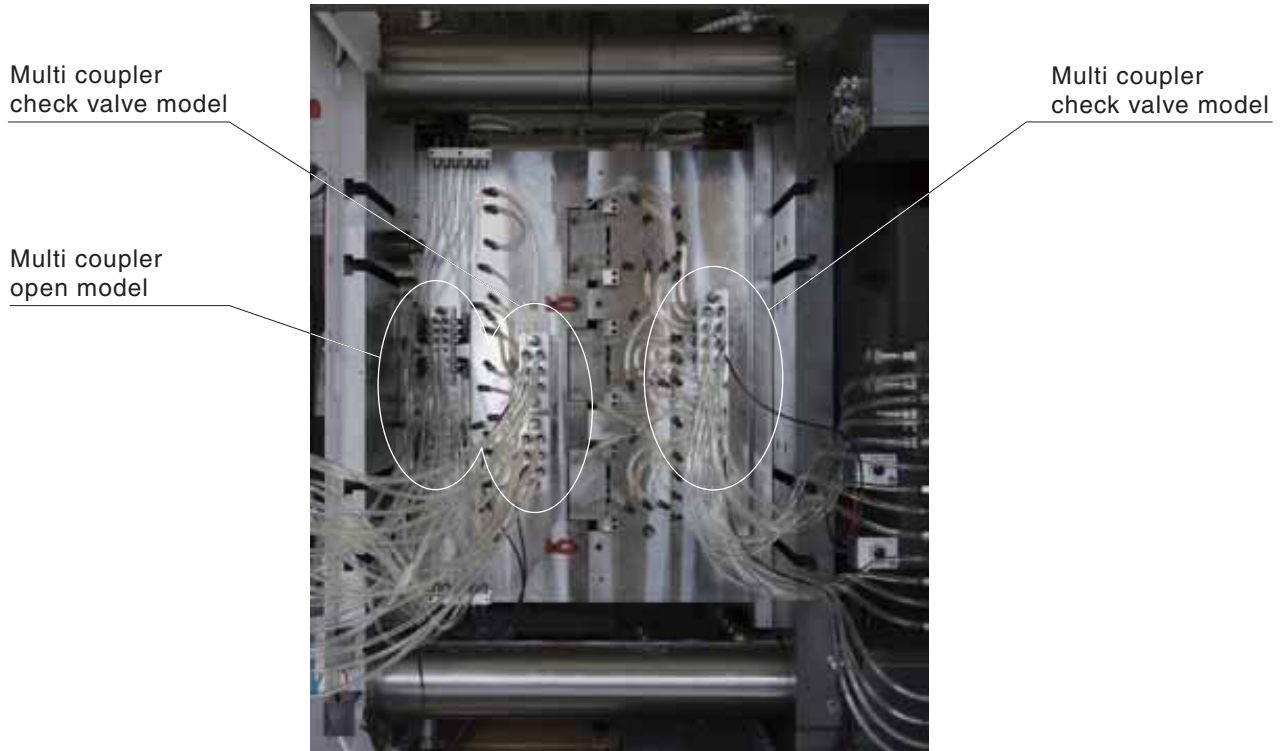
Fluid		Hydraulic (General mineral based hydraulic oil)					Water & Air							Electric connector		
		1/4"	3/8"	1/2"	3/4"	1"	1/8"	1/4"	3/8"	1/2"	3/4"	1"	1 1/4"		1 1/2"	2"
Pieces	Fixed platen							2								-
	Movable platen							2								-

Multi coupler check valve model

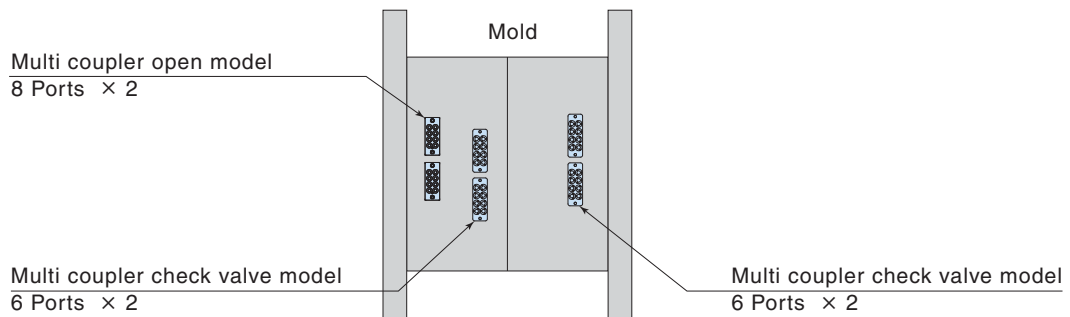
6 Ports width : 75 × height : 180 (mm)  
 8 Ports width : 75 × height : 220 (mm)

Multi coupler open model

12 Ports width : 60 × height : 203 (mm)



For temperature control & air valve gate



Multi coupler check valve model

Fluid	Hydraulic (General mineral based hydraulic oil) *, Water & Air		
Connection port	Rc 1/4		
Port	4	6	8
Pieces		2	2

\* Until 1MPa

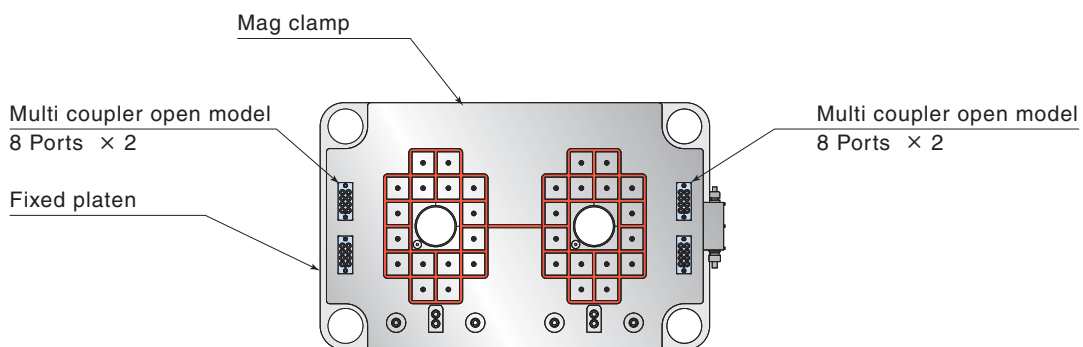
Multi coupler open model

Fluid	Water & Air	
Connection port	Rc 1/4	
Port	8	12
Pieces		2

Multi coupler open model  
8 Ports width : 60 × height : 155 (mm)



For temperature control & air valve gate



Multi coupler open model

Fluid	Water & Air	
Connection port	Rc 1/4	
Port	8	12
Pieces	4	

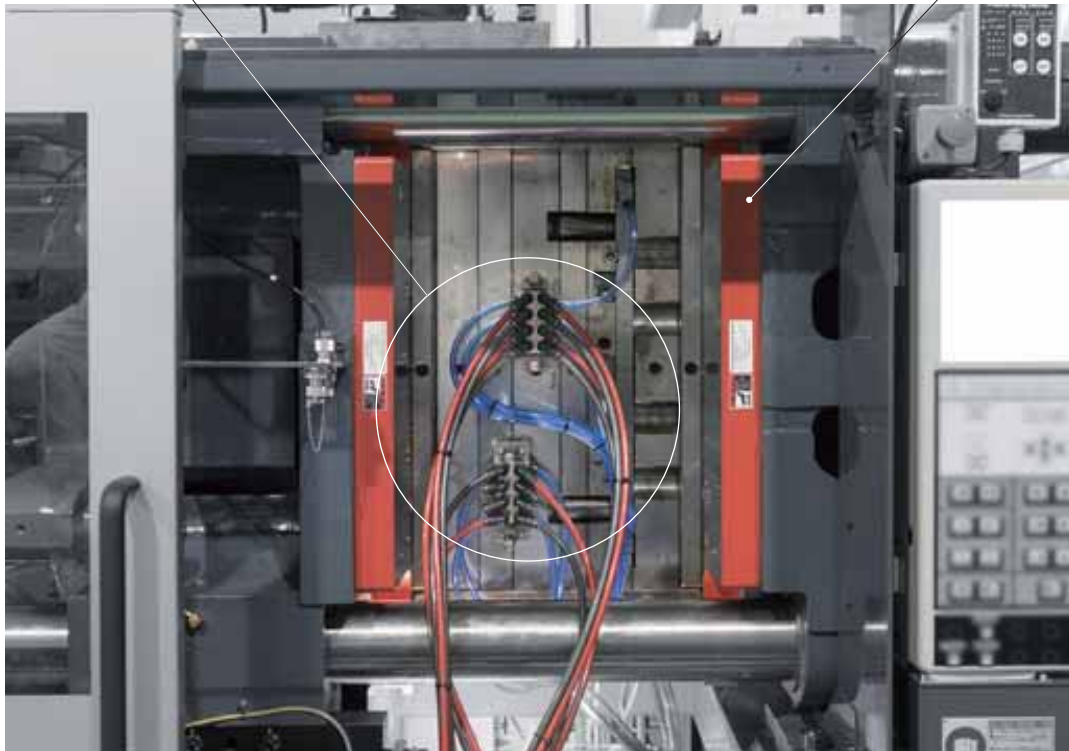


Multi coupler open model

8 Ports width : 60 × height : 155 (mm)

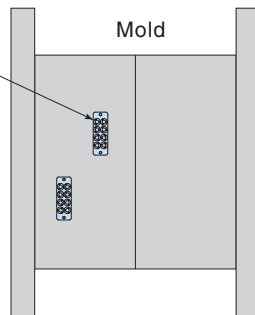
Multi coupler open model

Mag clamp



For temperature control

Multi coupler open model  
8 Ports × 2



Multi coupler open model

Fluid	Water & Air	
Connection port	Rc 1/4	
Port	8	12
Pieces	2	



Die side

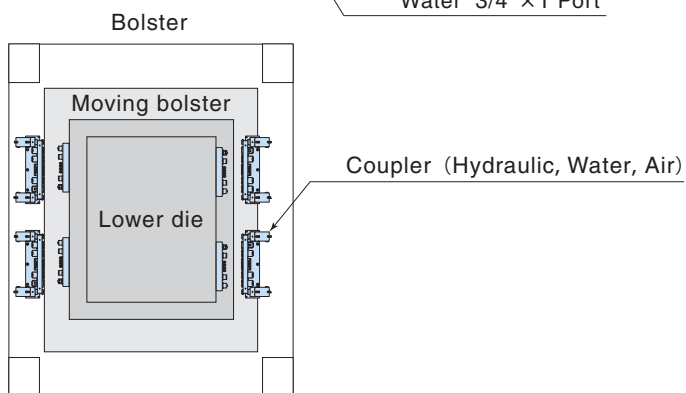
width : 430 × height : 280 (mm)

\* The size width × height is value excluding the bracket.



Machine side

width : 630 × height : 280 (mm)



Fluid		Hydraulic (General mineral based hydraulic oil)					Water & Air							Electric connector		
Connection port		1/4"	3/8"	1/2"	3/4"	1"	1/8"	1/4"	3/8"	1/2"	3/4"	1"	1 1/4"		1 1/2"	2"
Pieces	Bolster Operation side		2			5					1					
			2			5					1					
	Bolster The non operation side		2			5					1					
			2			5					1					

Die side

width : 350 × height : 180 (mm)

\* The size width × height is value excluding the bracket.

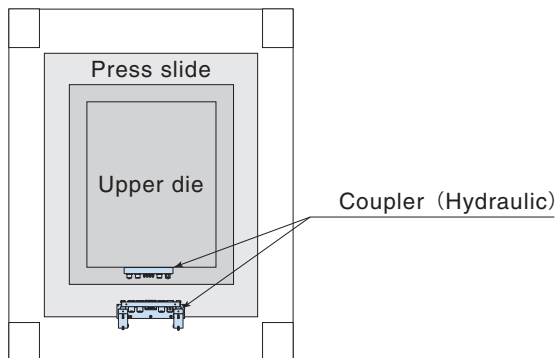


Machine side

width : 500 × height : 175 (mm)



Slide



Fluid	Hydraulic (General mineral based hydraulic oil)					Water & Air							Electric connector		
	1/4"	3/8"	1/2"	3/4"	1"	1/8"	1/4"	3/8"	1/2"	3/4"	1"	1 1/4"		1 1/2"	2"
Connection port															
Pieces		6													-

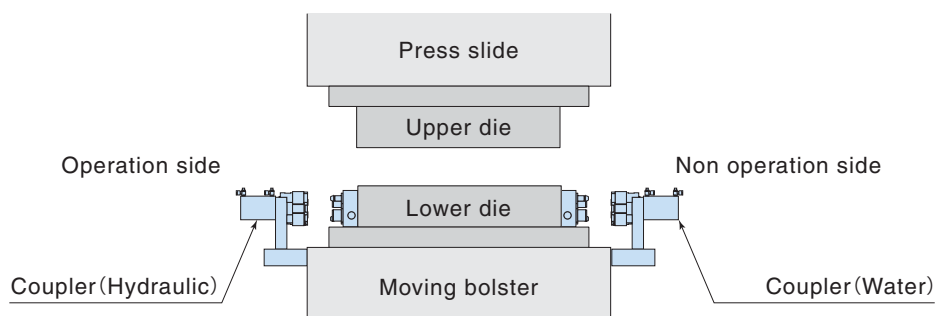
Die side ( Lower die Water pressure )

width : 550× height : 259 (mm)



Die side ( Lower die Hydraulic pressure )

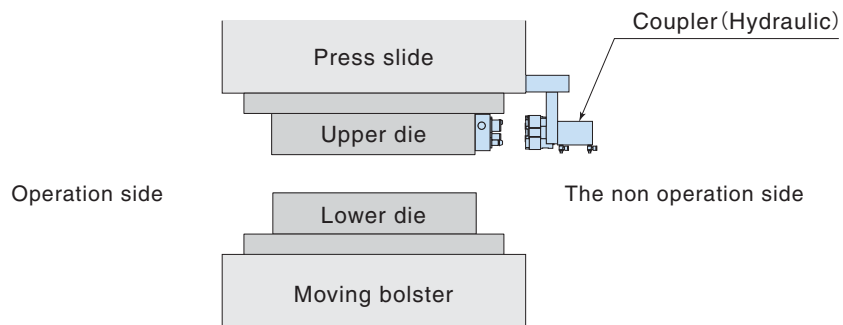
width : 800× height : 300 (mm)



Fluid		Hydraulic (General mineral based hydraulic oil)					Water & Air							Electric connector		
Connection port		1/4"	3/8"	1/2"	3/4"	1"	1/8"	1/4"	3/8"	1/2"	3/4"	1"	1 1/4"		1 1/2"	2"
Pieces	Lower die Water pressure												2			-
	Lower die Water pressure				6	10										○

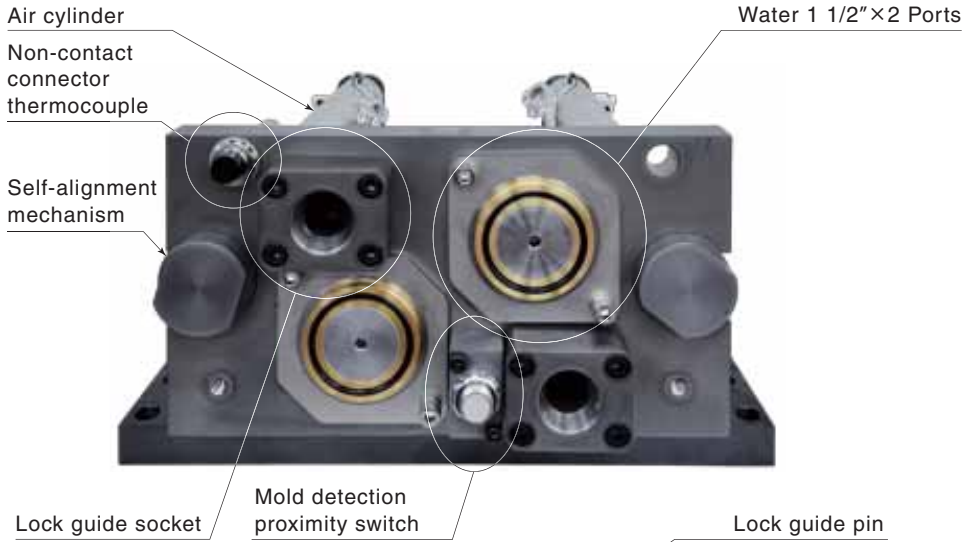


Die side (Upper die)  
width : 450 × height : 200 (mm)

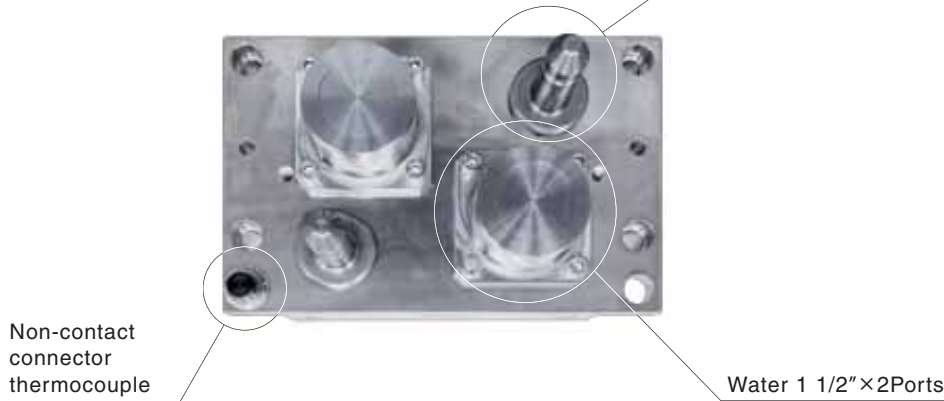
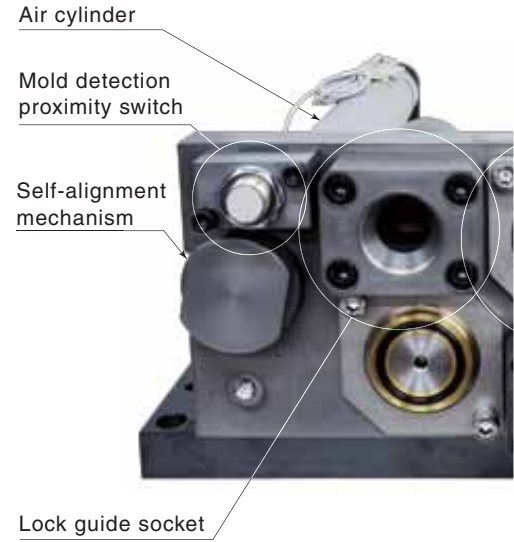


Fluid	Hydraulic (General mineral based hydraulic oil)					Water & Air										Electric connector
	1/4"	3/8"	1/2"	3/4"	1"	1/8"	1/4"	3/8"	1/2"	3/4"	1"	1 1/4"	1 1/2"	2"		
Connection port																
Pieces		2			4										-	

Press slide  
width : 330 × height : 180 (mm)

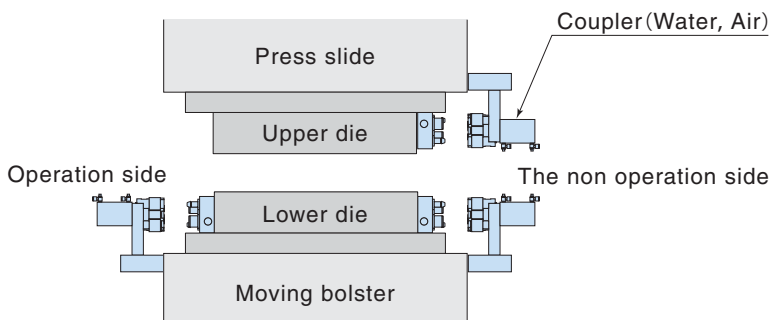


Bolster Operation side  
width : 290 × height : 145 (mm)



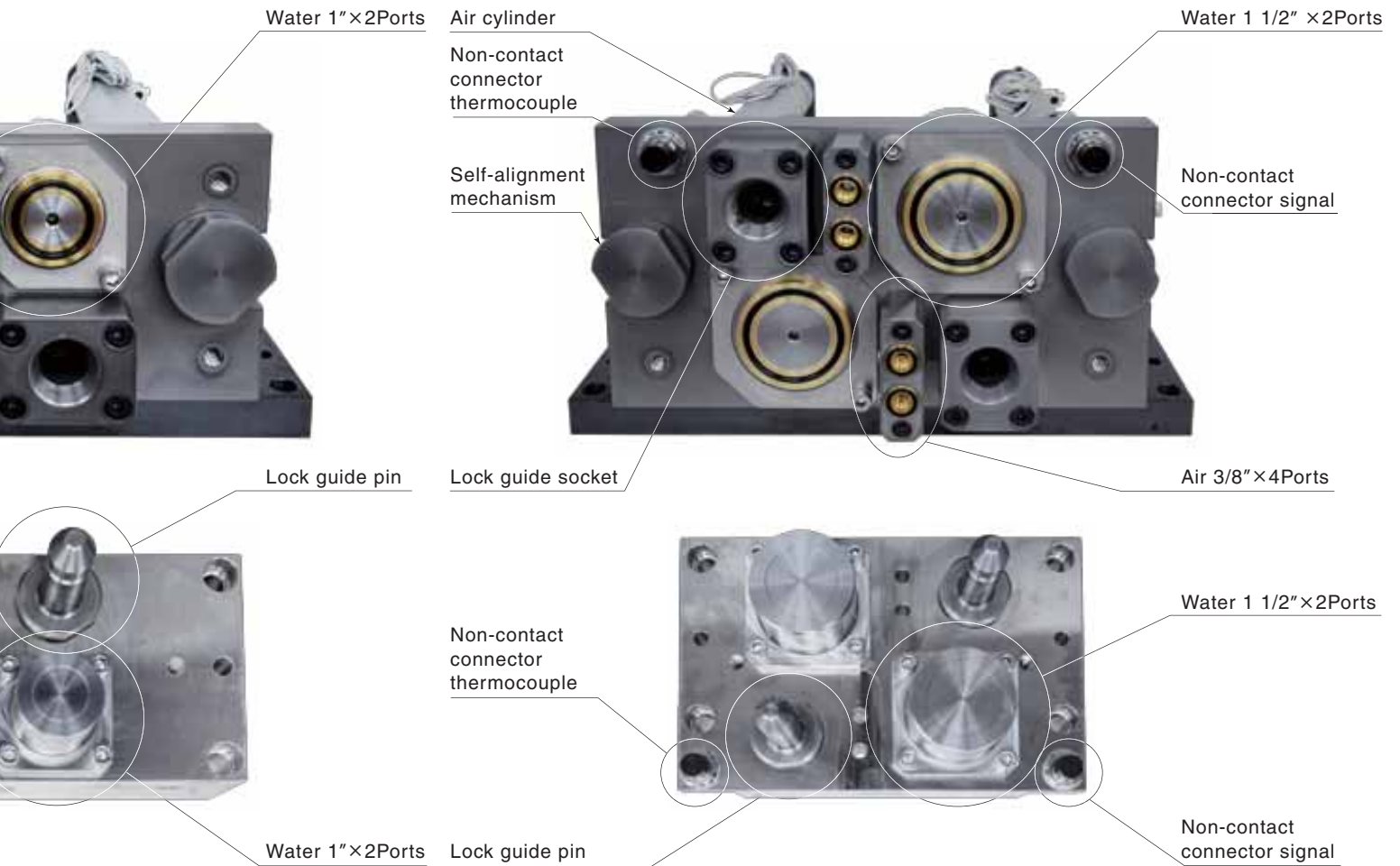
Die side  
width : 280 × height : 180 (mm)

Die side  
width : 295 × height : 135 (mm)



**Bolster The non operation side**  
width : 330 × height : 180 (mm)

\* The size width × height is value excluding the bracket.



**Die side**

width : 295 × height : 135 (mm)

Fluid		Hydraulic (General mineral based hydraulic oil)					Water & Air								Electric connector	
		1/4"	3/8"	1/2"	3/4"	1"	1/8"	1/4"	3/8"	1/2"	3/4"	1"	1 1/4"	1 1/2"		2"
Pieces	Press slide The non operation side													2 × 4		-
	Bolster Operation side											2 × 4				-
	Bolster The non operation side								4 × 4					2 × 4		-

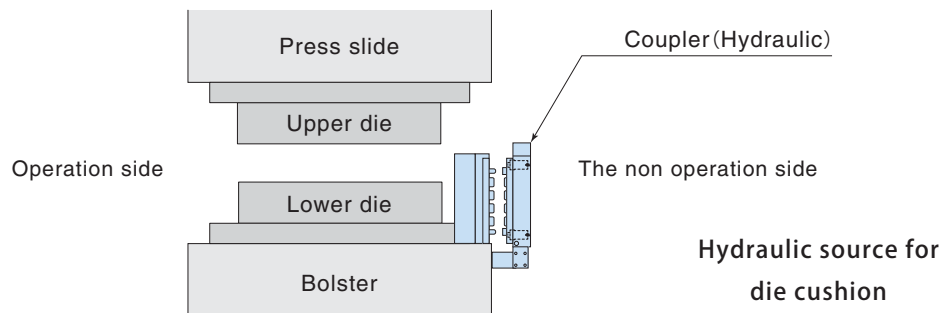
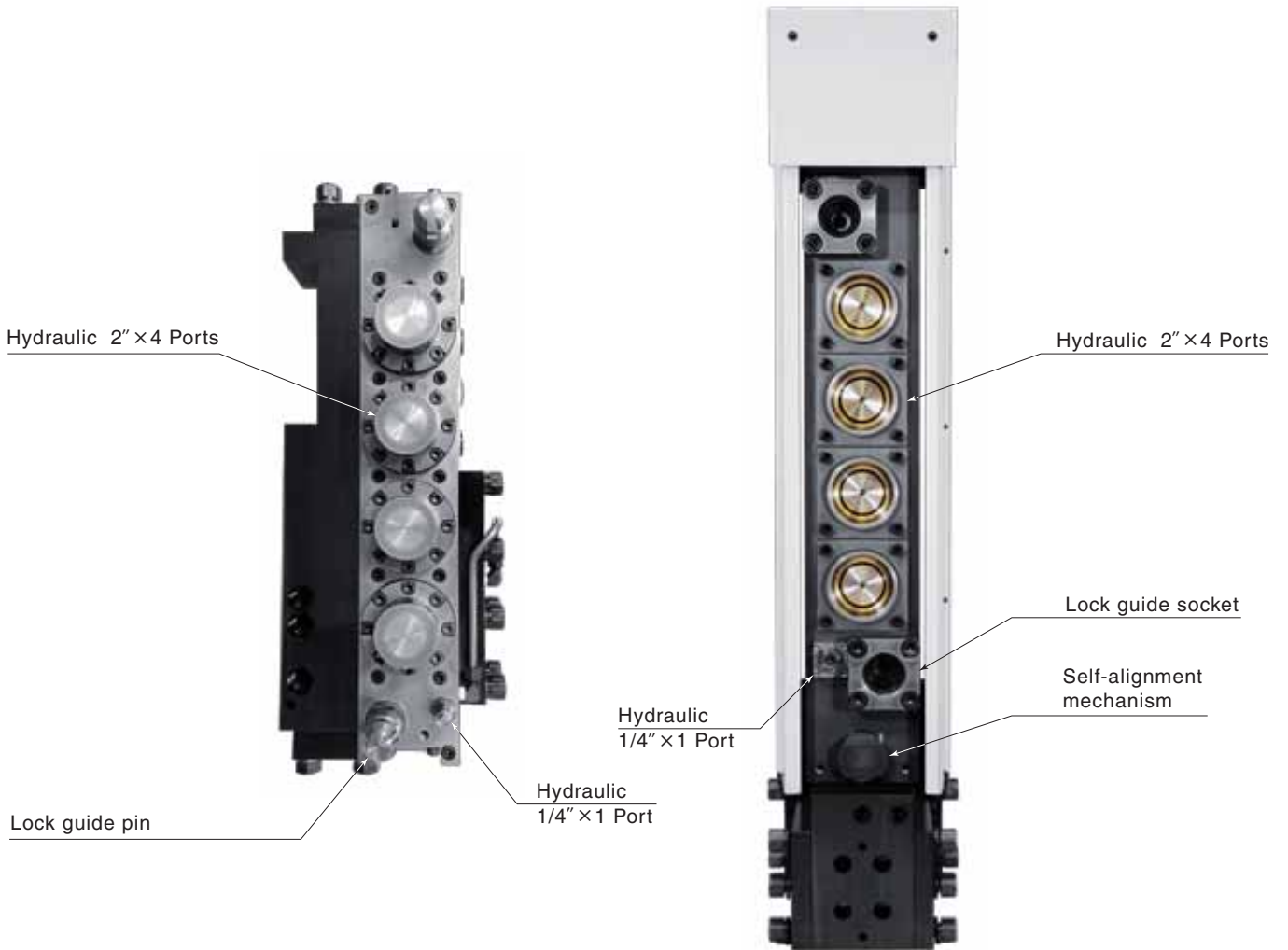
Die side

width : 130 × height : 730 (mm)

Machine side

width : 160 × height : 950 (mm)

\* The size width × height is value excluding the bracket.



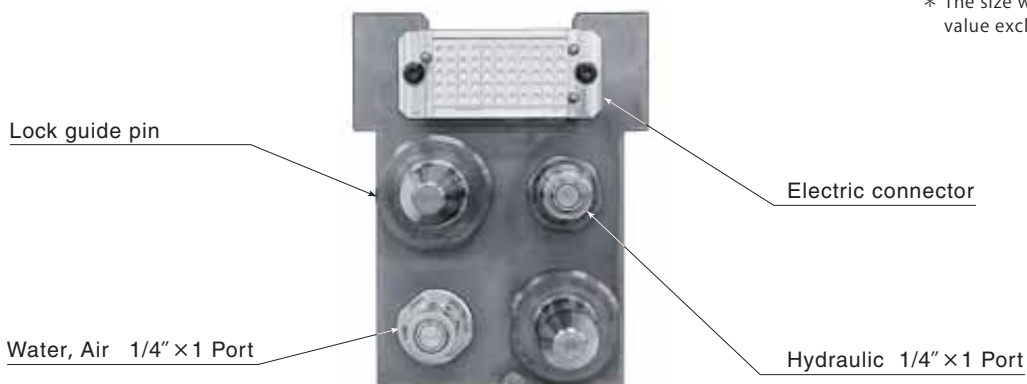
Fluid	Hydraulic (General mineral based hydraulic oil)					Water & Air							Electric connector		
	1/4"	3/8"	1/2"	3/4"	2" *	1/8"	1/4"	3/8"	1/2"	3/4"	1"	1 1/4"		1 1/2"	2"
Connection port															
Pieces	1				4										-

\* Special type

Die side

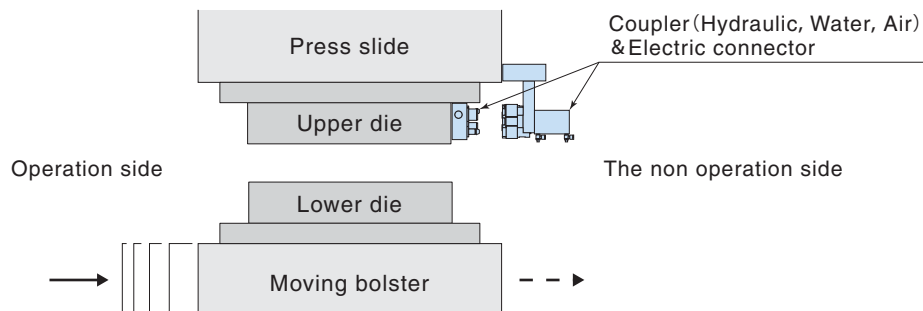
width : 220 × height : 95 (mm)

\* The size width × height is value excluding the bracket.



Machine side

width : 345 × height : 75 (mm)



Fluid	Hydraulic (General mineral based hydraulic oil)					Water & Air							Electric connector		
	1/4"	3/8"	1/2"	3/4"	1"	1/8"	1/4"	3/8"	1/2"	3/4"	1"	1 1/4"		1 1/2"	2"
Connection port							1								
Pieces	1						1								○



Die side

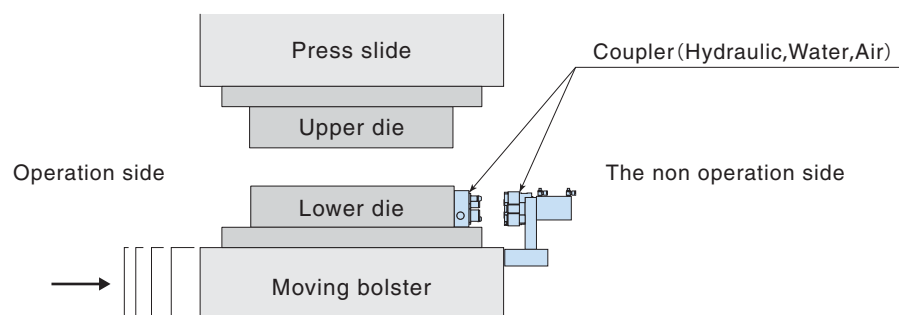
width : 220 × height : 95 (mm)

\* The size width × height is value excluding the bracket.

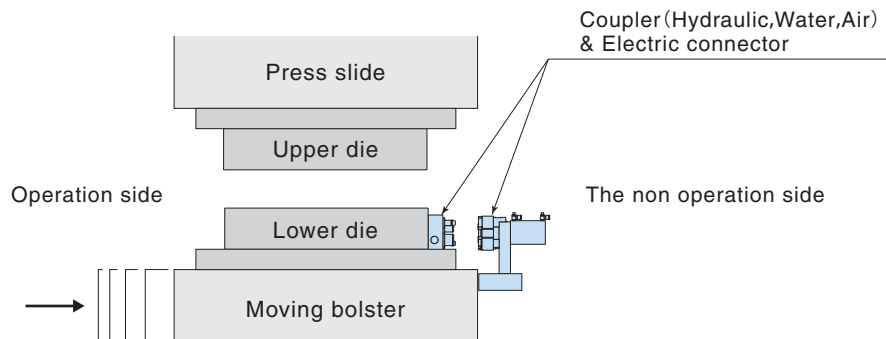
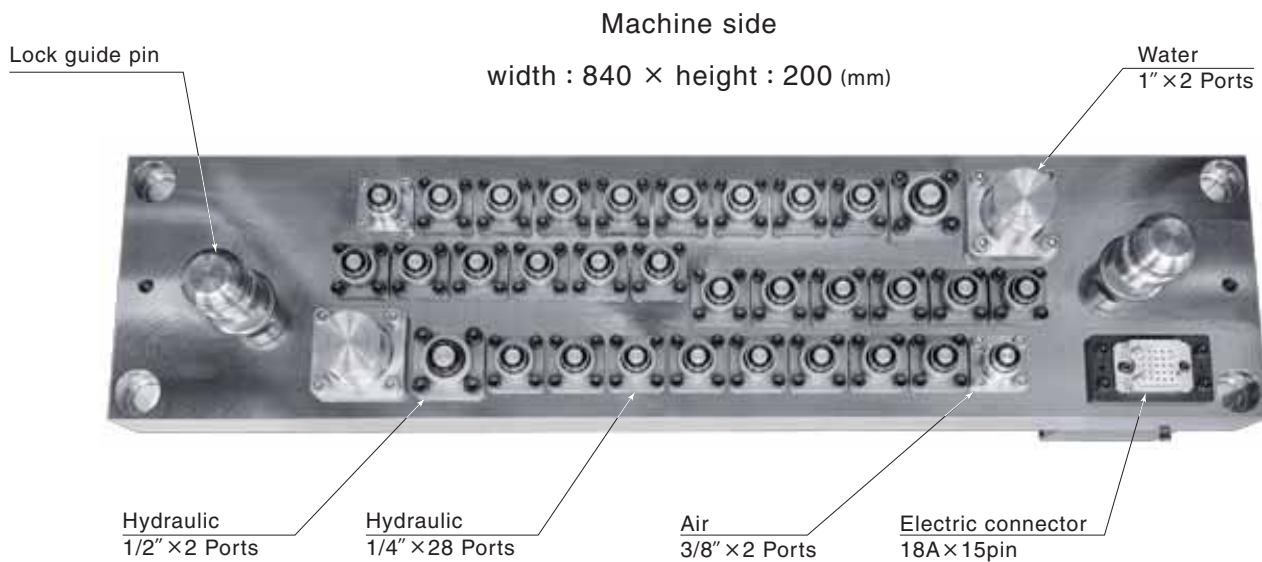
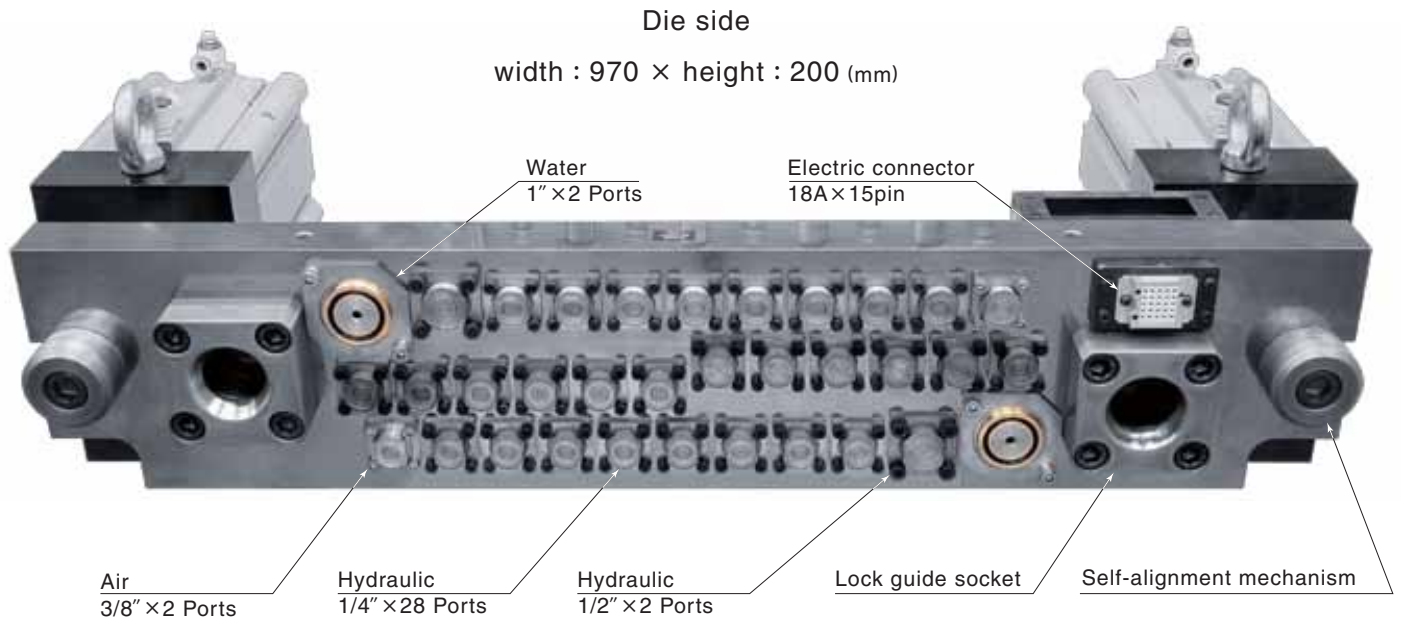


Machine side

width : 345 × height : 75 (mm)



Fluid	Hydraulic (General mineral based hydraulic oil)					Water & Air							Electric connector		
Connection port	1/4"	3/8"	1/2"	3/4"	1"	1/8"	1/4"	3/8"	1/2"	3/4"	1"	1 1/4"	1 1/2"	2"	
Pieces	1						1								-



Fluid	Hydraulic (General mineral based hydraulic oil)					Water & Air								Electric connector	
	1/4"	3/8"	1/2"	3/4"	1"	1/8"	1/4"	3/8"	1/2"	3/4"	1"	1 1/4"	1 1/2"		2"
Connection port															
Pieces	28		2					2			2				18A × 15pins

Machine side  
width : 385 × height : 100 (mm)

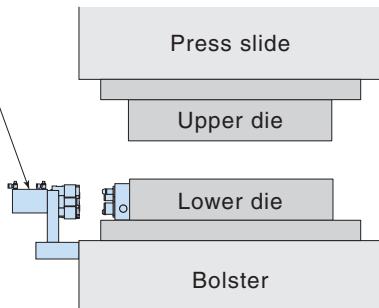
Die side  
width : 250 × height : 140 (mm)



Coupler

Coupler (Hydraulic, Water, Air)

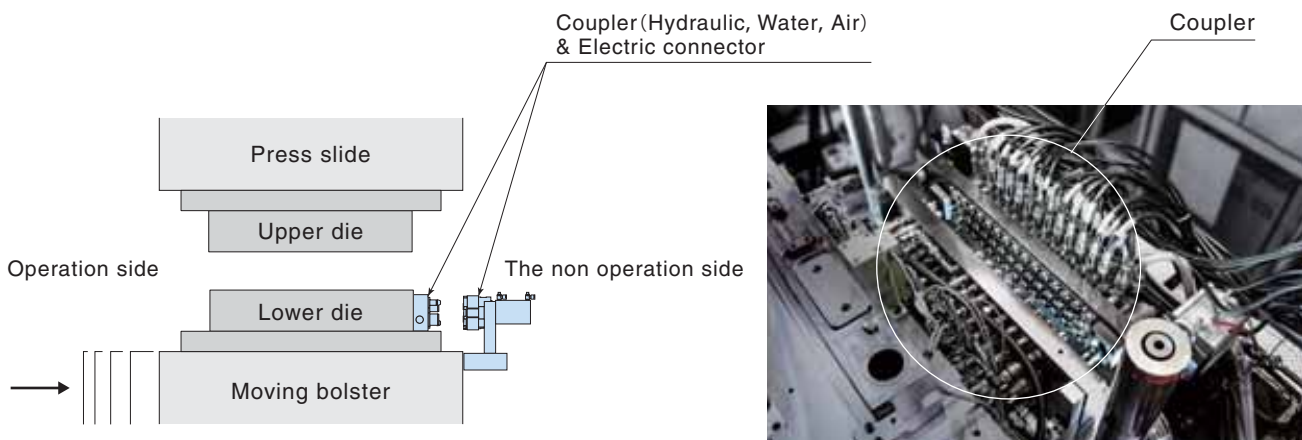
Operation side



The non operation side

Fluid	Hydraulic (General mineral based hydraulic oil)					Water & Air							Electric connector		
Connection port	1/4"	3/8"	1/2"	3/4"	1"	1/8"	1/4"	3/8"	1/2"	3/4"	1"	1 1/4"	1 1/2"	2"	
Pieces		2						2							-

Die side  
width : 1,000 × height : 190 (mm)



Fluid	Hydraulic (General mineral based hydraulic oil)					Water & Air							Electric connector		
Connection port	1/4"	3/8"	1/2"	3/4"	1"	1/8"	1/4"	3/8"	1/2"	3/4"	1"	1 1/4"	1 1/2"	2"	Electric connector
Pieces		32						4	2						○

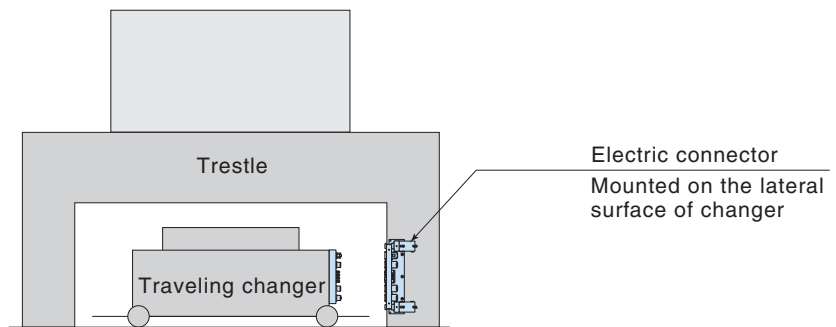
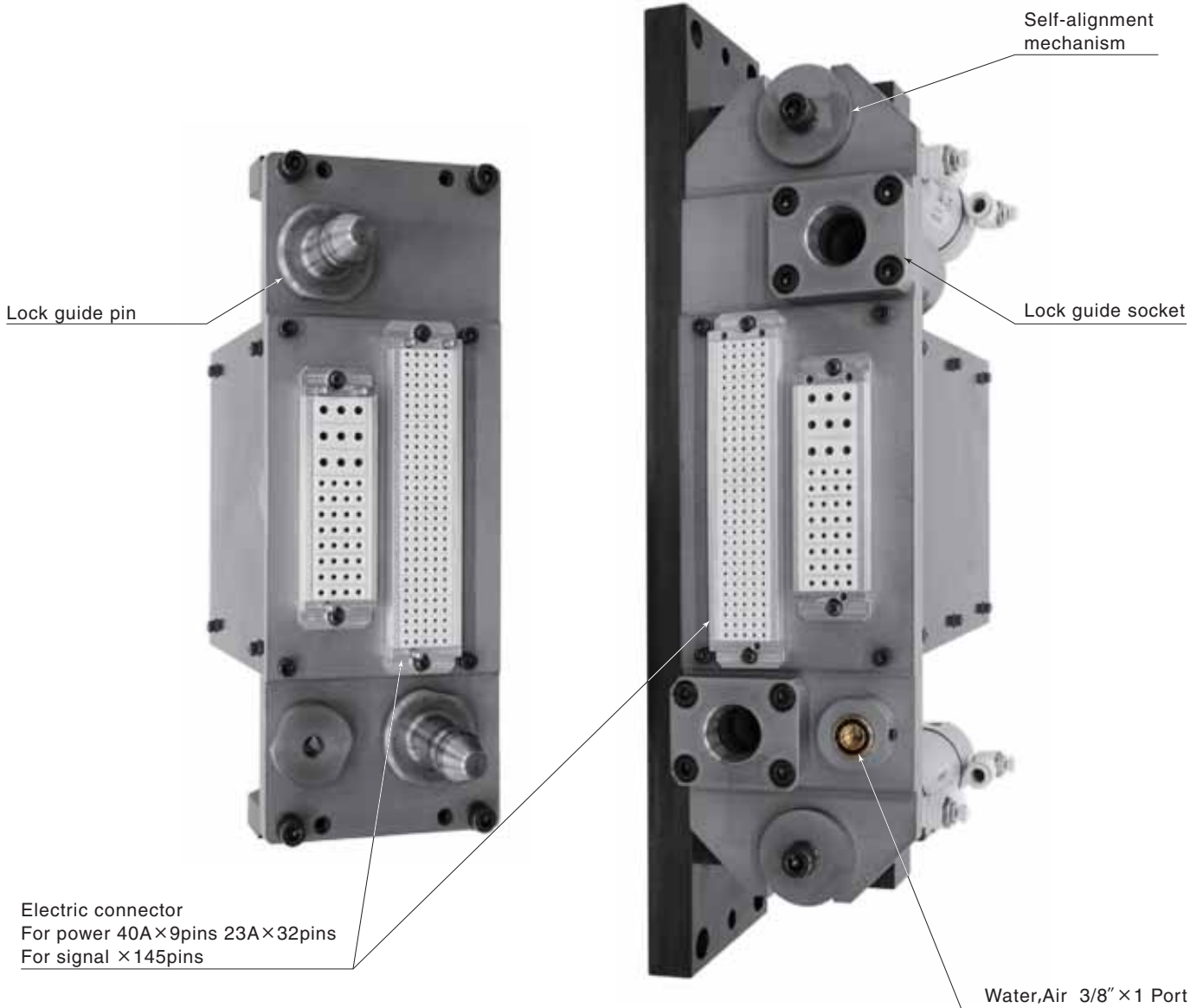
\* The size width × height is value excluding the bracket.

Supply side

width : 125 × height : 340 (mm)

Reception side

width : 125 × height : 420 (mm)

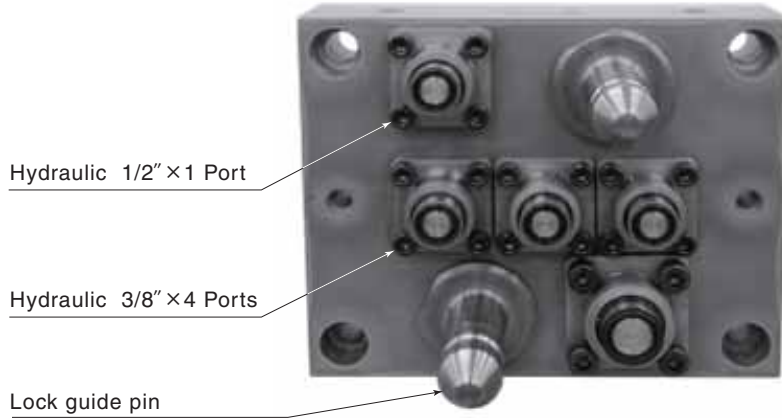


Fluid	Water & Air										Electric connector
	1/8"	1/4"	3/8"	1/2"	3/4"	1"	1 1/4"	1 1/2"	2"		
Connection port											
Pieces			1								For power 40A : 9pin / 23A : 32pin For signal 145pin

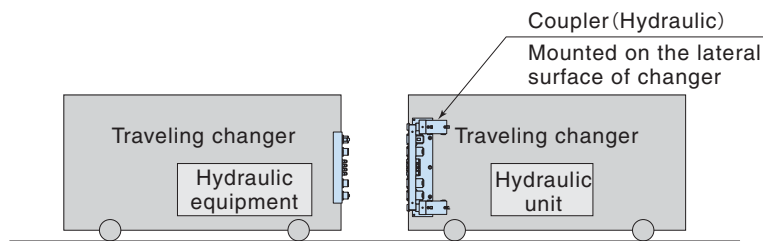
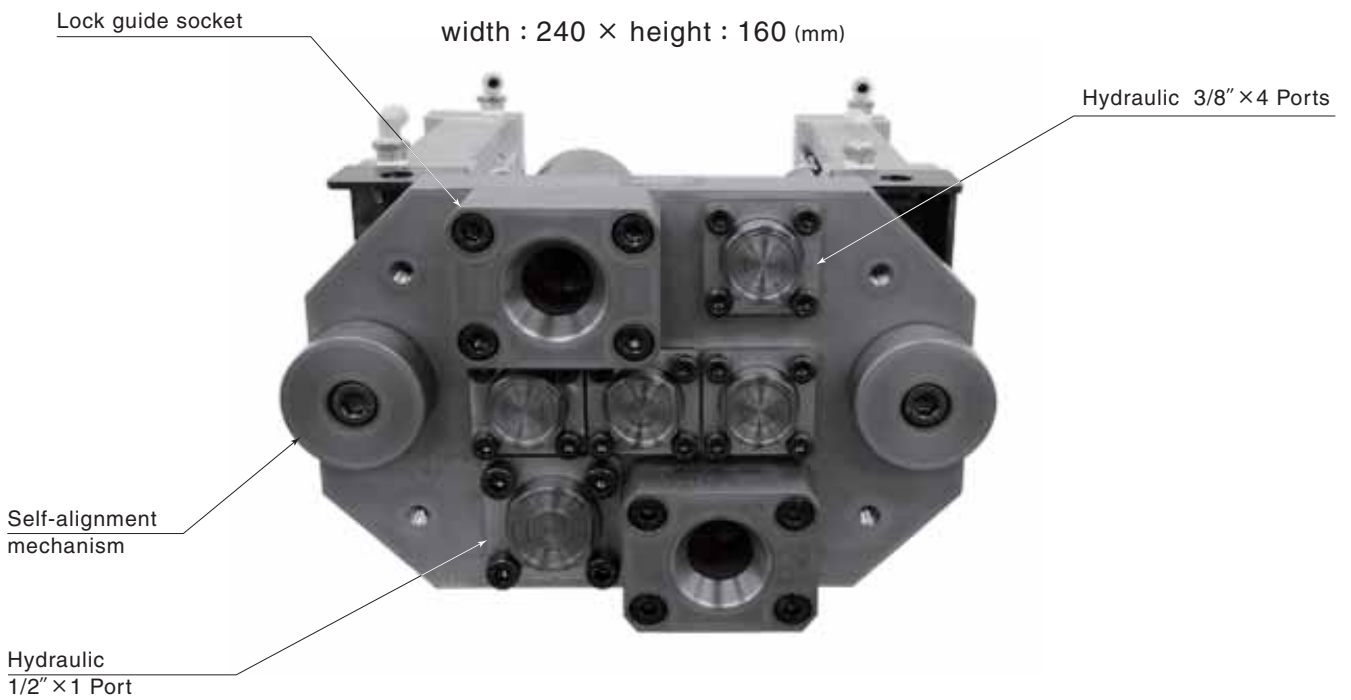


Hydraulic equipment side  
width : 200 × height : 160 (mm)

\* The size width × height is value excluding the bracket.



Hydraulic unit side  
width : 240 × height : 160 (mm)



Fluid	Hydraulic (General mineral based hydraulic oil)					Water & Air							Electric connector		
Connection port	1/4"	3/8"	1/2"	3/4"	1"	1/8"	1/4"	3/8"	1/2"	3/4"	1"	1 1/4"	1 1/2"	2"	
Pieces		4	1												-



Trestle side

width : 450 × height : 125 (mm)

\* The size width × height is value excluding the bracket.

Self-alignment mechanism



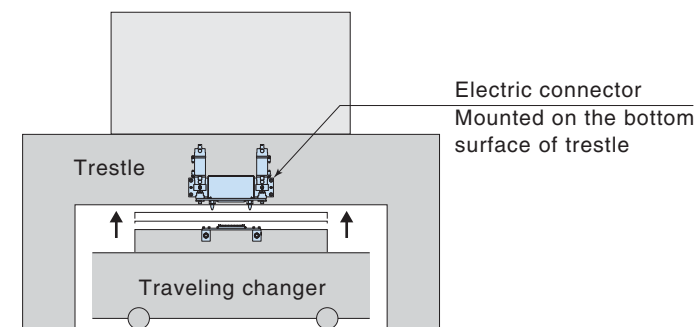
Lock guide socket

Changer side

width : 410 × height : 120 (mm)

Electric connector  
For power 40A×3pins  
For signal 23A×16pins×200pins

Lock guide pin



Electric connector  
Mounted on the bottom surface of trestle

Electric connector

For power 40A : 3pins / 23A : 16pins For signal 200pins

Machine side  
width : 375 × height : 120 (mm)



Die side  
width : 270 × height : 120 (mm)

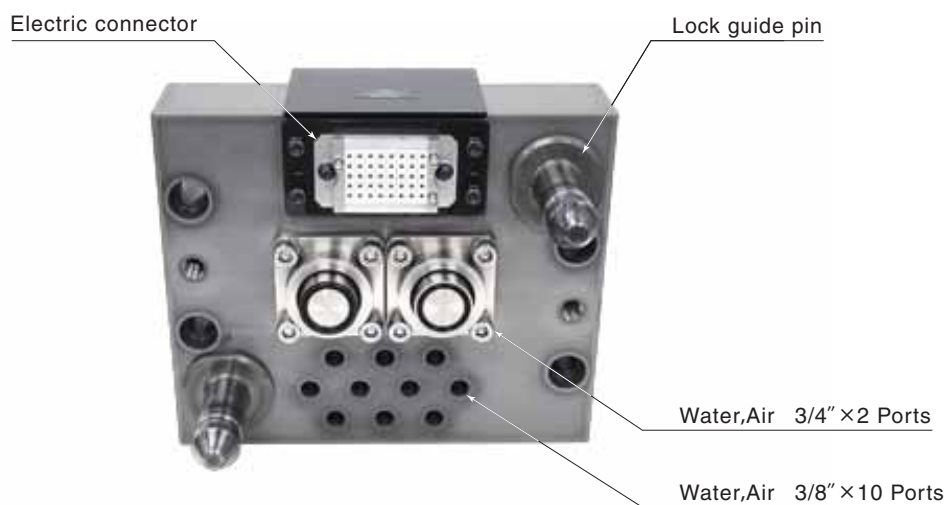


Fluid	Hydraulic (General mineral based hydraulic oil)					Water & Air							Electric connector		
Connection port	1/4"	3/8"	1/2"	3/4"	1"	1/8"	1/4"	3/8"	1/2"	3/4"	1"	1 1/4"	1 1/2"	2"	
Pieces										4					-

Upper die side

width : 230 × height : 190 (mm)

\* The size width × height is value excluding the bracket.



Lower die side

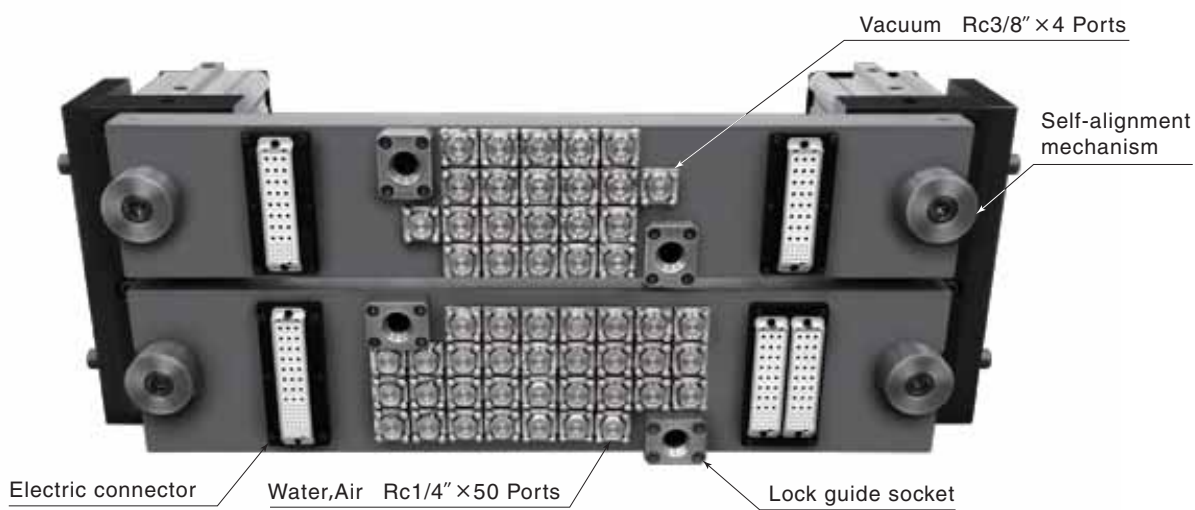
width : 375 × height : 130 (mm)



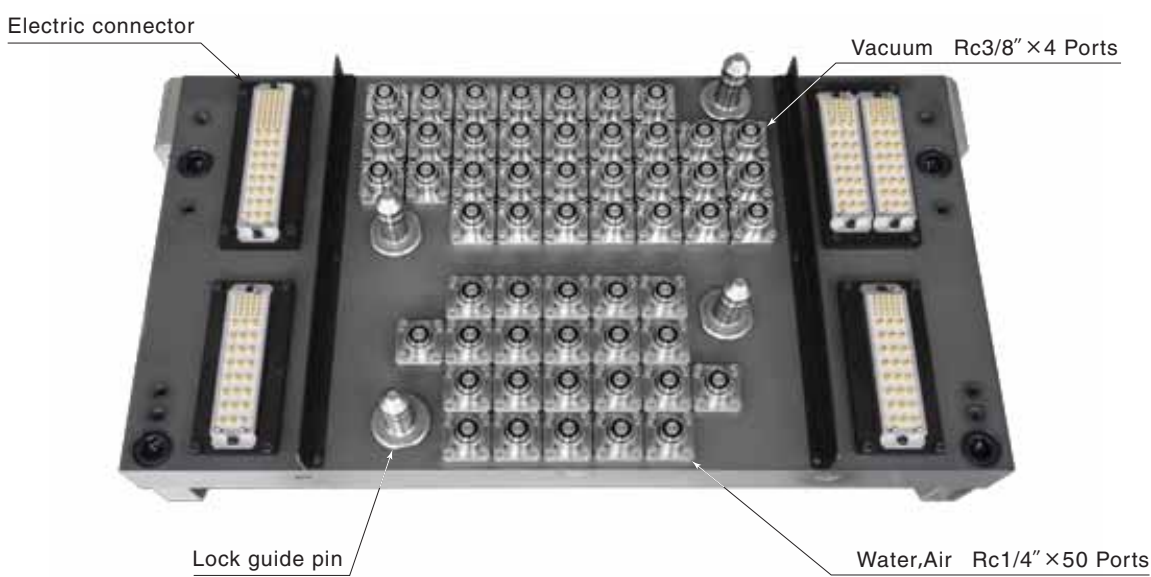
Fluid		Hydraulic (General mineral based hydraulic oil)					Water & Air							Electric connector		
		1/4"	3/8"	1/2"	3/4"	1"	1/8"	1/4"	3/8"	1/2"	3/4"	1"	1 1/4"		1 1/2"	2"
Pieces	Upper die								10	2						○
	Lower die								10	3						○

width : 920 × height : 174 (mm)

width : 920 × height : 204 (mm)



width : 750 × height : 400 (mm)



Fluid	Water & Air										Vacuum					Electric connector
	1/8"	1/4"	3/8"	1/2"	3/4"	1"	1 1/4"	1 1/2"	2"	1/4"	3/8"	1/2"	3/4"	1"		
Connection port																
Pieces		50									4				○	

# Pascal

corporation

Itami, Hyogo, Japan 664-8502  
TEL. +81-72-777-3333 FAX. +81-72-777-3520

---

Chicago, U.S.A.	TEL. +1-847-427-1234
Stuttgart, Germany	TEL. +49-711-782-850-0
Dalian, China	TEL. +86-411-8732-2988
Shanghai, China	TEL. +86-21-5263-4122
Changwon, Korea	TEL. +82-55-274-0971
Bangkok, Thailand	TEL. +66-2173-5855

---

