

25MPa

Auto coupling system
Mini coupler

25MPa MINI COUPLER
SOCKET MODEL (FEMALE)
model **WVP-2MSH**



25MPa MINI COUPLER
PLUG MODEL (MALE)
model **WVP-2MPH**



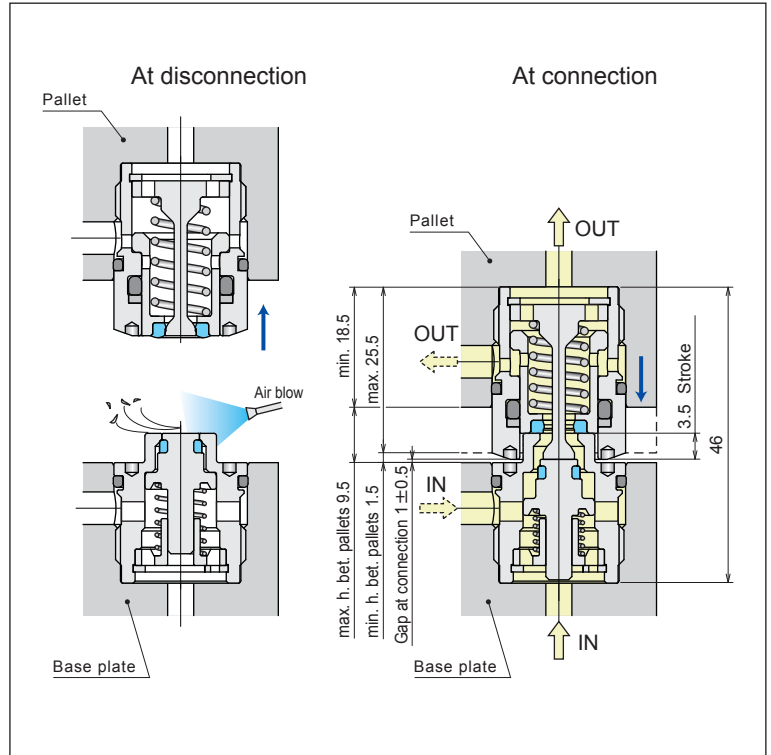
Pascal
www.pascaleng.co.jp

MINI COUPLER SOCKET MODEL (FEMALE)
model **WVP-2MSH**

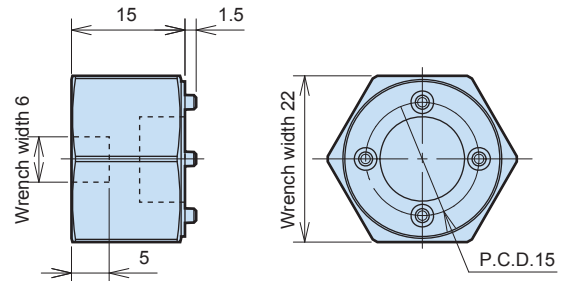


MINI COUPLER PLUG MODEL (MALE)
model **WVP-2MPH**

(SCALE 1:1)



Mounting tool (Option) model **WVP-2MJ**



(SCALE 1:1)

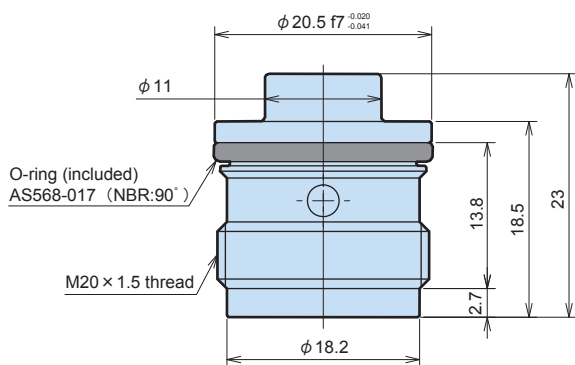
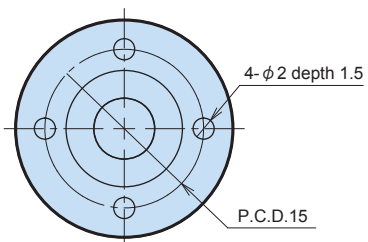
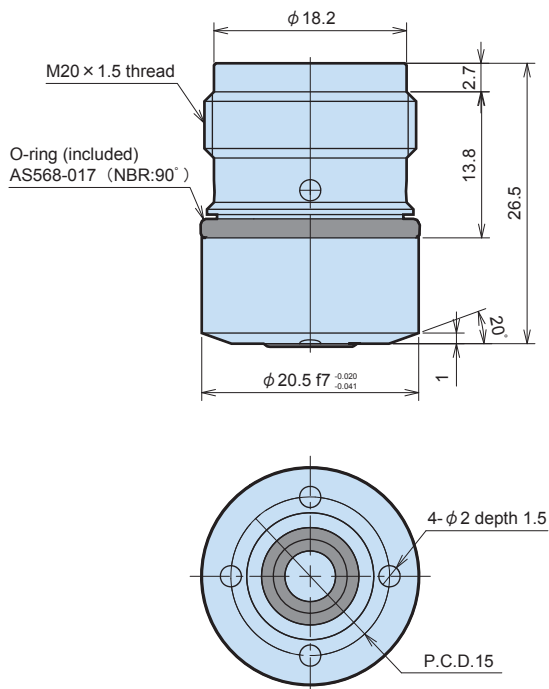
- A compact coupler of low height, having a simple open/close inner structure.
- Bottom or side. Two ways are available in piping at customer's convenience.
- Specially designed seal at the edge prevents the spill of residual oil out of the circuit as well as the intrusion of coolant at the time of disconnection.
- Both oil and air can be used due to the antirust treatment.
- Pressurization to WVP-2MPH can be done at disconnection.
- No built-in filter in the structure.

Max. working pressure	25.0 MPa	<p>Circuit symbols</p>
Proof pressure	37.5 MPa	
Orifice area	12.6 mm ²	
Fluid used	Normal operating oil, Air	
Allowable misalignment	±0.5 mm	
Allowable gradient	Less than 0.3°	
Reaction force	113 N per 1 MPa pressure Max. spring force 40 N at 0 MPa pressure	
Ambient temperature	0~70 °C	
Mass	WVP-2MPH : 32 g / WVP-2MSH : 40 g	

NOTE : As the special check valve is not built-in, connection and disconnection under pressure are not possible.

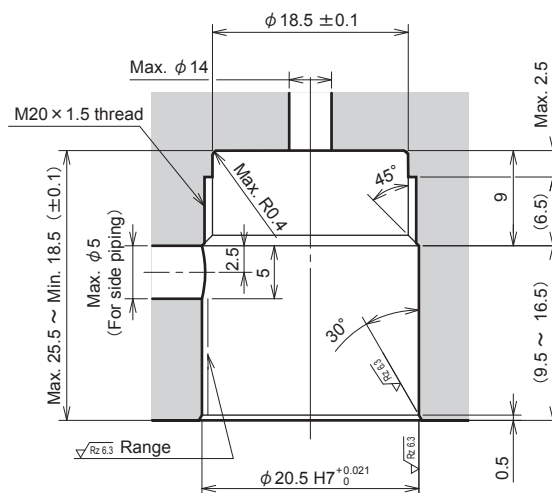
MINI COUPLER

WVP-2MSH SOCKET MODEL

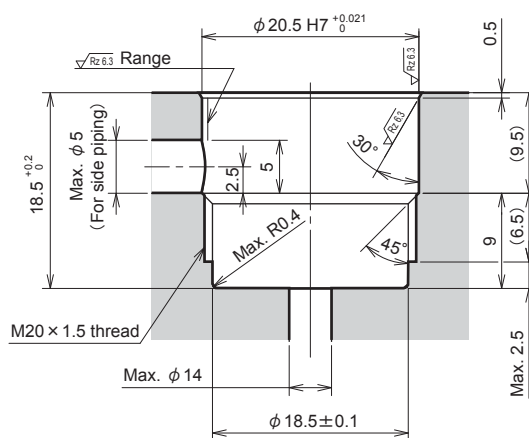


WVP-2MPH PLUG MODEL

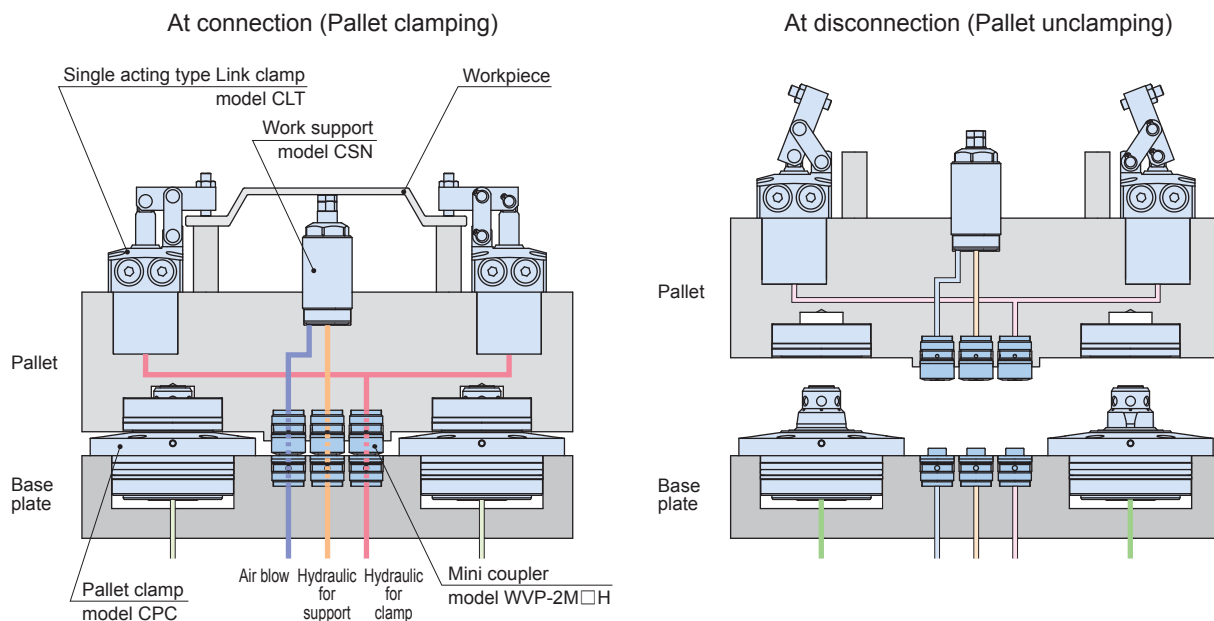
Mounting details WVP-2MSH



Mounting details WVP-2MPH

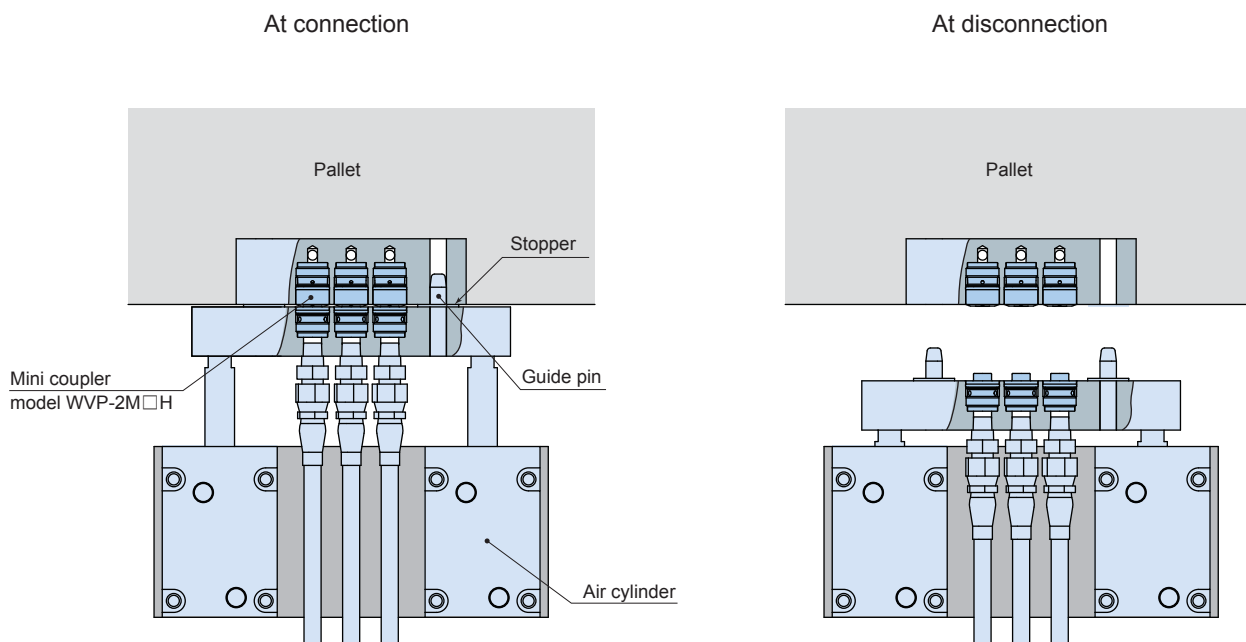


Application example ① (in Pallet clamping system)



※ For details of Pallet clamp. refer to a catalog (Pascal Pal system : CLS-15E) separately available.

Application example ② (in Auto coupling system)



Regarding caution in use, refer to a catalog (Auto coupling system : CLS-12E) separately available.