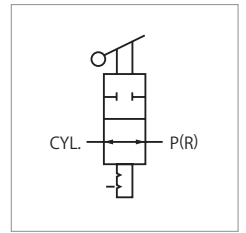
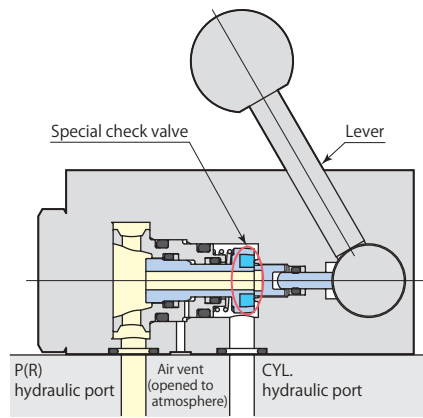


VHB-H□**2-way valve****25MPa**2-way valve model **VHB**

Activates work clamps in one circuit individually by manual handling.

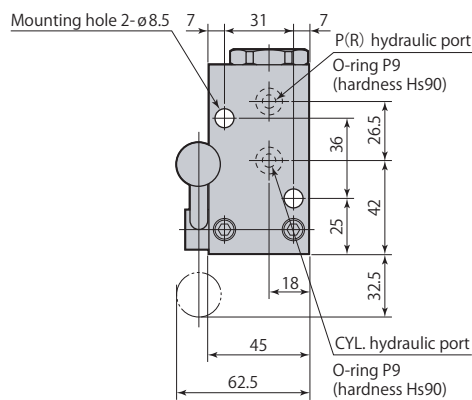
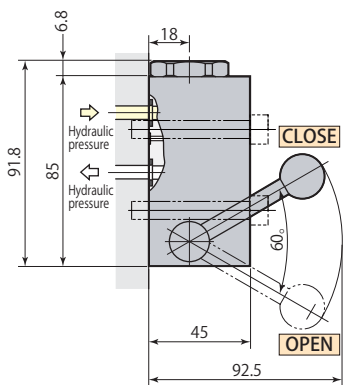
Specifications

| Model | | VHB-HG | VHB-HT |
|--------------------------|-----------------|---|-----------------|
| Mounting, piping methods | | Manifold mounting | Piping mounting |
| Pressure range | MPa | 7-30 | |
| Proof pressure | MPa | 37.5 | |
| Orifice area | mm ² | 15.9 | |
| Operating temperature | °C | 0-70 | |
| Fluid used | | General mineral based hydraulic oil (ISO-VG32 equivalent) | |
| Mass | kg | 1.2 | |

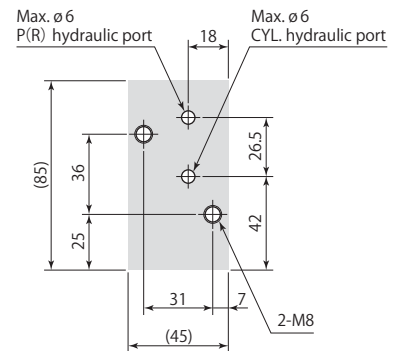
- There is also a type that adopts fluorocarbon for seal sections where cutting fluid is applied, as a measure for the use of chlorine-based cutting fluid (this is not thermal resistant specification. Model designation VHB-H□-V).

Dimensions

VHB-HG Manifold mounting *No internal filter

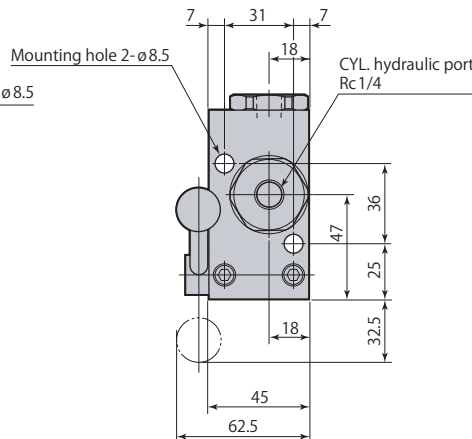
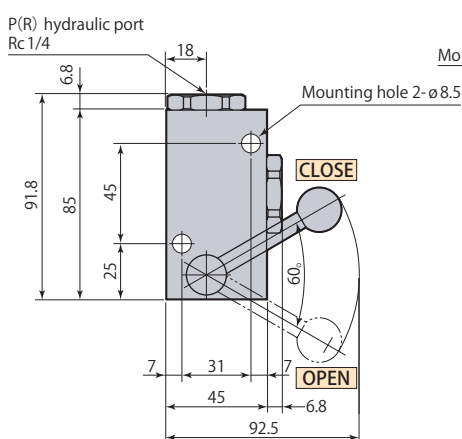


Mounting details



For manifold piping, the mounting surface finish must be no rougher than Rz6.3 (ISO4287:1997).

VHB-HT Piping mounting *With internal filter (P & CYL. hydraulic ports)



- Mounting screws are not included.