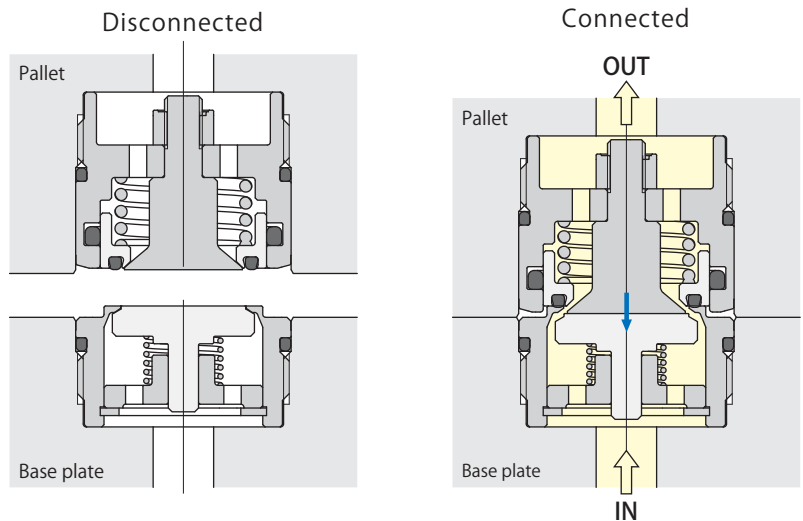
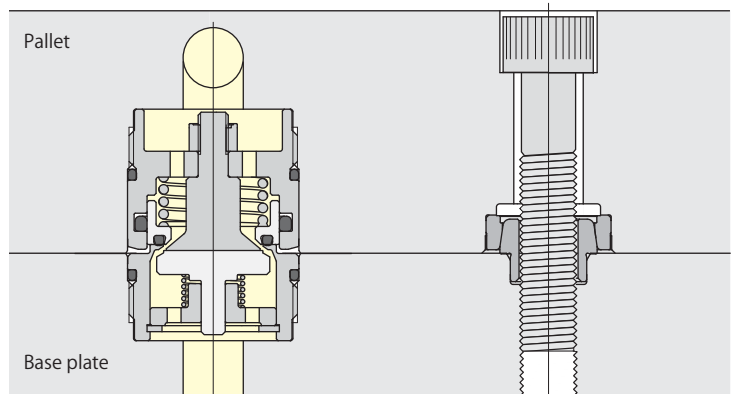


Air & coolant coupler with large orifice area and capability to accommodate large flow rates.

Pal coupler socket
 Blow air & coolant
 model **WVP-3GSN**



Pal coupler plug
 Blow air & coolant
 model **WVP-3GPN**



Specifications

- Large orifice area allows to supply large volume of coolant or blow air.
- Height of coupler is maintained low in order to reduce thickness of pallet.
- This model is designed to use on flat mating faces with no protrusion from mount face.

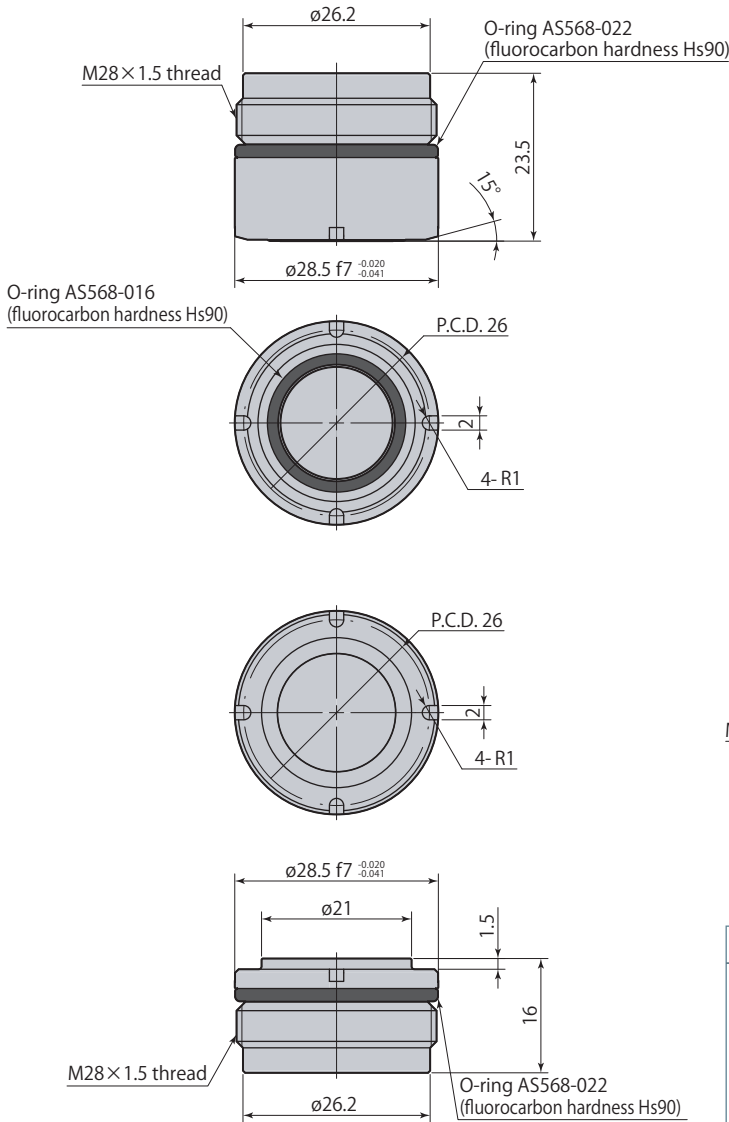
Pressure range	0–1 MPa	Circuit symbol Air & coolant Connect/disconnect under pressure : Incapable
Proof pressure	1.5 MPa	
Orifice area	29.0 mm ²	
Fluid used	Air & coolant	
Allowable eccentricity	±0.5 mm	Reactive force* 380 N per 1 MPa fluid pressure Max. spring force for no pressure 60 N
Allowable inclination	0.3° or less	
Operating temperature	0–70 °C	
Mass	WVP-3GSN : 77 g WVP-3GPN : 48 g	

* : Reactive force (N) = Fluid pressure (MPa) × 380 + 60

Dimensions

WVP-3GSN

Blow air & coolant socket
Recommended tightening torque : 30 N·m

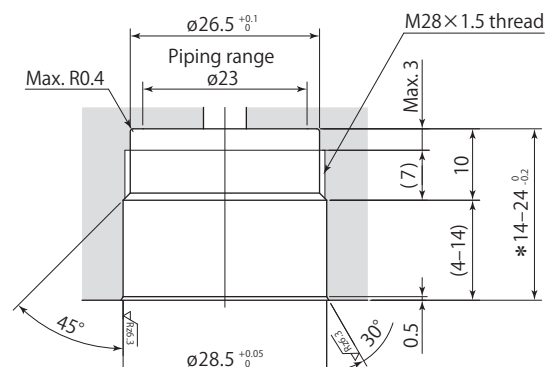


WVP-3GPN

Blow air & coolant plug
Recommended tightening torque : 30 N·m

Mounting details

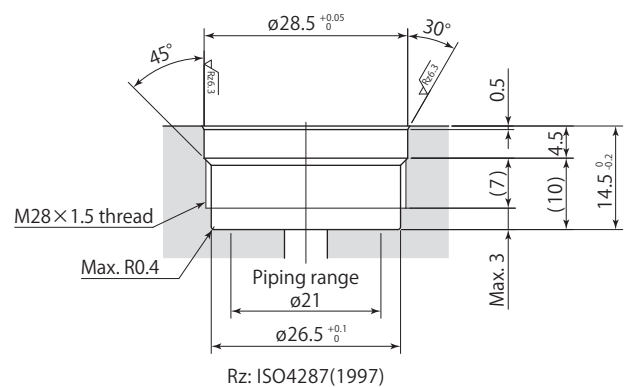
WVP-3GSN



* : When using Pal fix as a set, be sure to set depth to 24₀^{-0.2}. Refer to pages →66-77 for details on Pal fix.

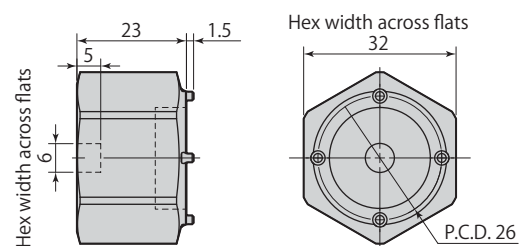
Mounting details

WVP-3GPN



Rz: ISO4287(1997)

Mounting tool (option) model WVP-3GJ



Caution in use

- Fluid leaks from the tip of coupler when supplying it under disconnected state.
- Stop supplying fluid during disconnection and connection operations. Disconnecting or connecting coupler while fluid is flowing results in the leakage.
- Coupler has no built in filter. Ensure that foreign substances on connecting surfaces are removed by blowing air before connecting to prevent intrusion of foreign substances into piping.
- Provide the stopper and the guide as shown in the diagram to protect coupler from damage unless it is used in combination with Pal fix. Do not use a coupler as a guide or stopper when connecting. It may cause the damage. Install the stopper to have the dimension 38.5₀^{-0.5} (See diagram on the right). Observe allowable eccentricity and inclination value when installing the guide. (Refer to page →88 for details on allowable eccentricity and inclination value.)

