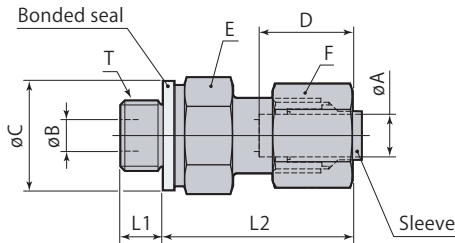


Parallel thread connector



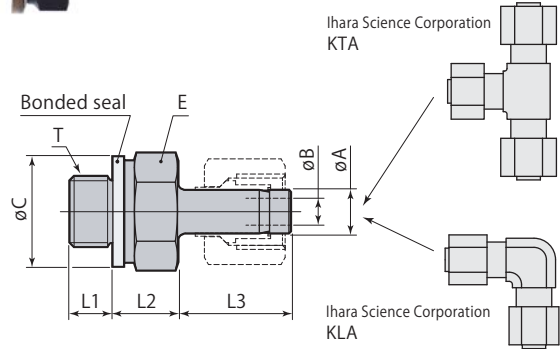
mm

Model	Applicable pipe outer diameter ϕA	T	ϕB	ϕC	D	Width across flats		L1	L2
						E	F		
8FKCO06010	6	G1/8	4	17	17.5	14	14	6	32.5
8FKCO08010	8		4	17	17.5	17	17	6	32.5
8FKCO08020	8		6	20.5	17.5	19	17	10	33.5
8FKCO10020	10	G1/4	6	20.5	18.5	19	19	10	34.5
8FKCO10030	10		8	24	18.5	22	19	10	35.5
8FKCO12030	12	G3/8	8	24	18.5	22	22	10	35.5

Parallel thread adaptor



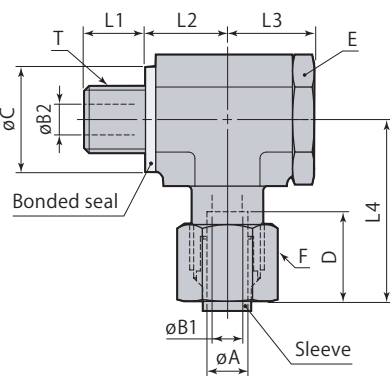
Use NE bite type tube fitting from Ihara Science Corporation on opposite side.



mm

Model	Applicable pipe outer diameter ϕA	T	ϕB	ϕC	Width across flats E	L1	L2	L3
8FKHB08020	8	G1/4	5	20.5	19	10	10	21
8FKHB10020	10		6	20.5	19	10	10	22
8FKHB10030	10	G3/8	6	24	22	10	11	22
8FKHB12030	12		8	24	22	10	11.5	22.5

Stud elbow



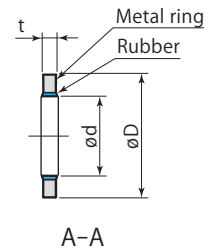
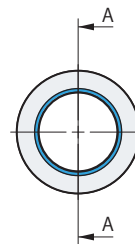
mm

Model	Applicable pipe outer diameter ϕA	T	$\phi B1$	$\phi B2$	ϕC	D	Width across flats		L1	L2	L3	L4
							E	F				
8FKMB06010	6	G1/8	4	4	17	17.5	17	14	8	13	14	33.5
8FKMB08020	8	G1/4	6	7	20.5	17.5	22	17	12	16	17	35.5
8FKMB10020	10		8	7	20.5	18.5	22	19	12	16	17	36.5
8FKMB12030	12	G3/8	10	9	24	18.5	27	22	12	19	22	40.5

Bonded seal (spare parts)



Standard material is NBR for rubber and SPCC (cold roll steel) for metal ring. A bonded seal is usually supplied with a fitting however Pascal sells it alone as a service part.



mm

Model	Applicable thread	ϕd	ϕD	t
8FKP-C-010	G1/8	9.9	17	2
8FKP-C-020	G1/4	13.3	20.5	2
8FKP-C-030	G3/8	16.8	24	2

- Use a bonded seal to seal flange surface where a fitting will be fitted (do not use O-ring type G thread fitting).
- Use the sleeve KKO from Ihara Science Corporation for the sleeve of fitting.