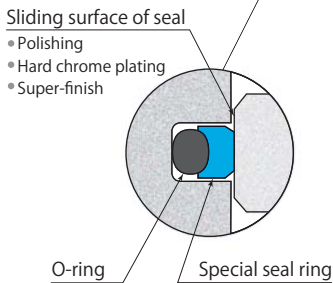
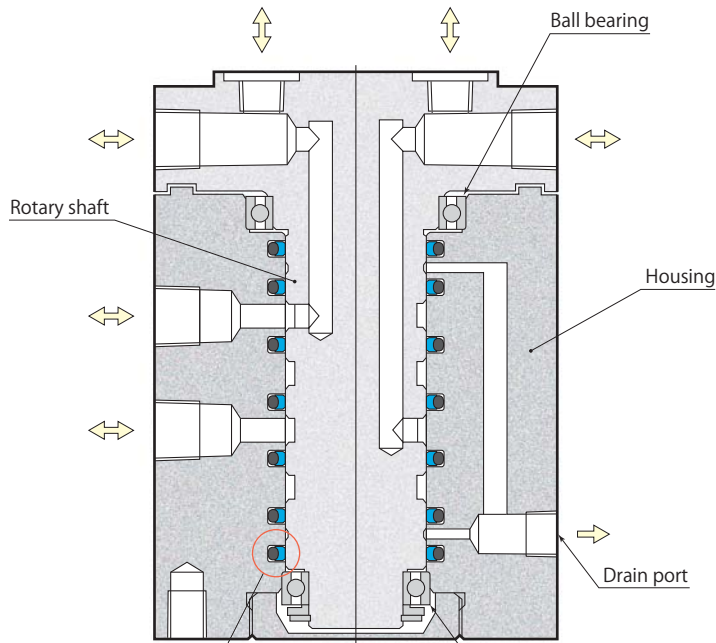


Single rotary standard 25MPa

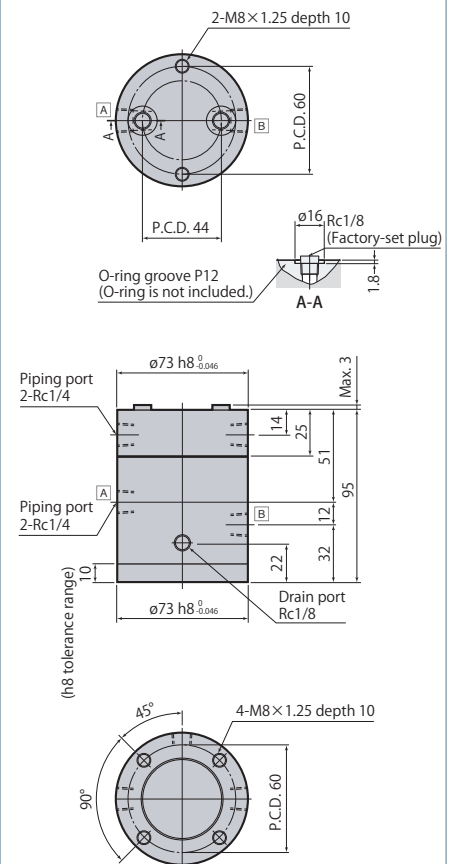
model WRA □



Sliding surface is polished, hard chrome plated and then super-finished to offer superior seal performance and durability.

2 circuits

WRA2



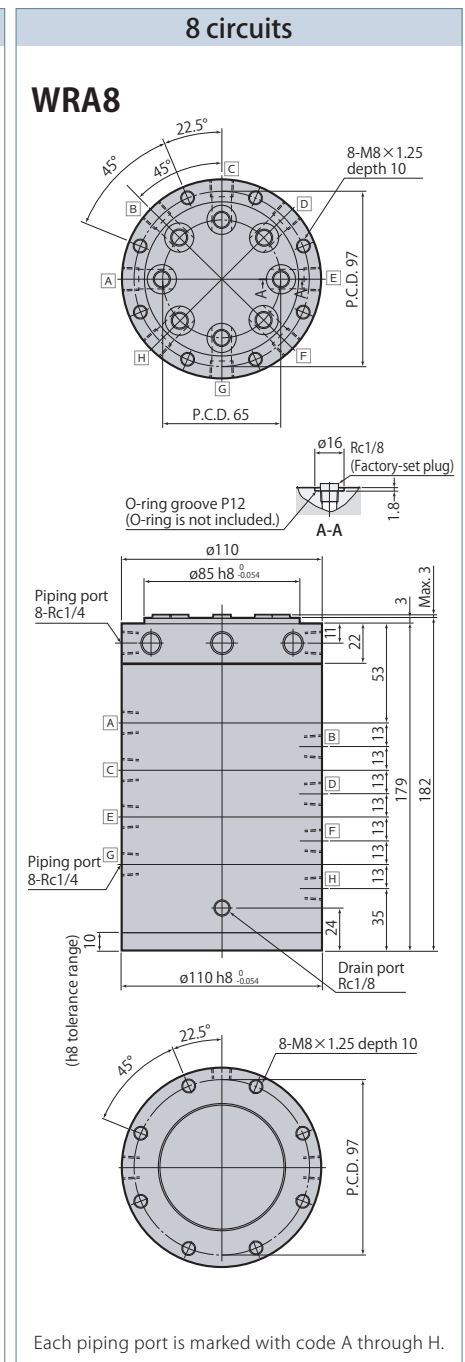
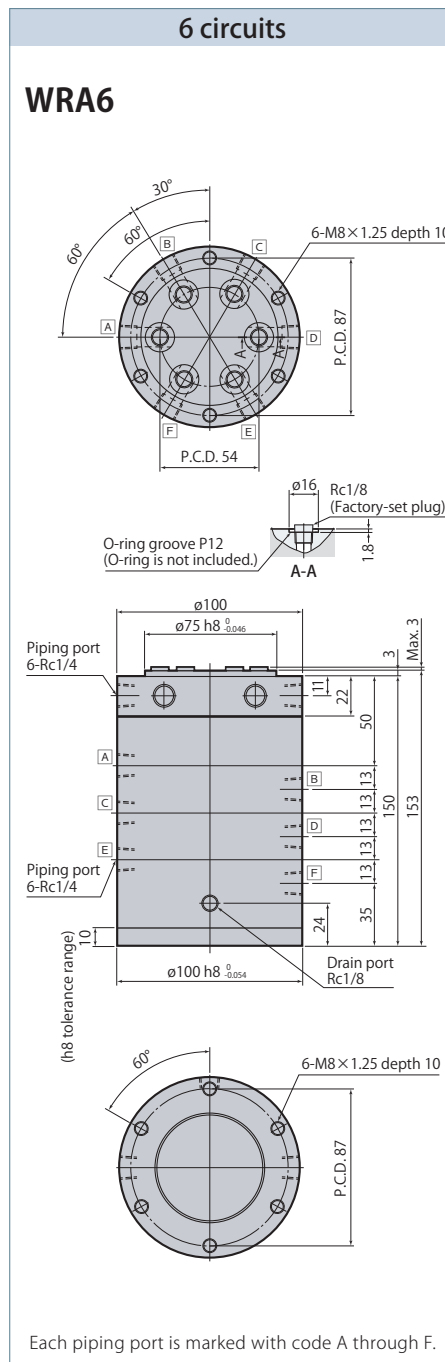
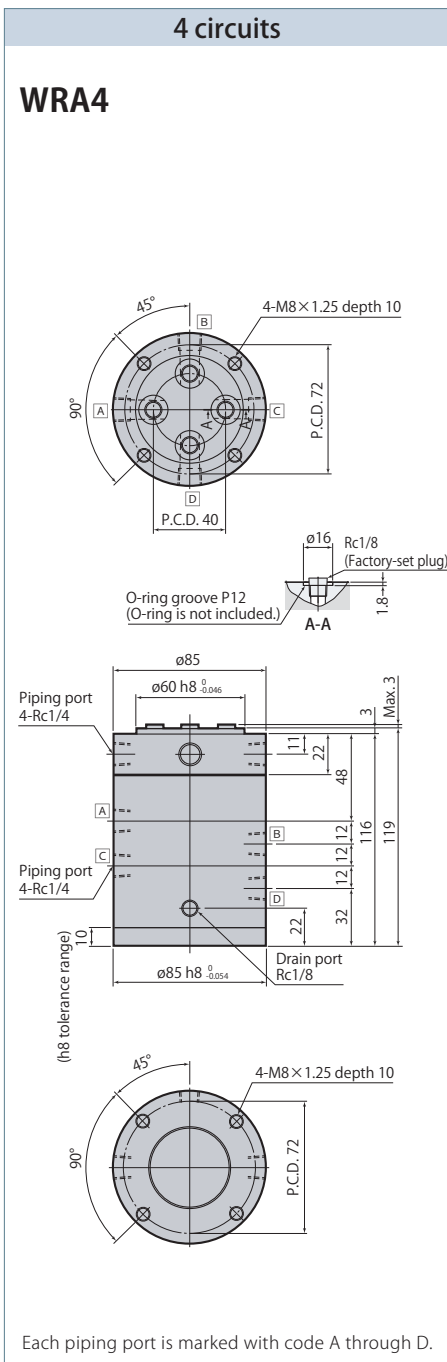
Each piping port is marked with code A or B.

Rotary joint

WRA Single rotary standard

Specifications

| Model | WRA2 | WRA4 | WRA6 | WRA8 |
|------------------------------|--|------------|------------|------------|
| Number of circuits | 2 circuits | 4 circuits | 6 circuits | 8 circuits |
| Orifice area mm ² | 20.4 | | | |
| Fluid used | General mineral based hydraulic oil (ISO-VG32 equivalent) or air | | | |
| Max. pressure MPa | 25 | | | |
| Allowable rotations | Varies depending on fluid pressure (refer to page →246 for details on allowable rotations.) | | | |
| Operating temperature °C | 0–70 | | | |
| Piping port size | Rc1/4 (body upper surface is Rc1/8) | | | |
| Mass kg | 3.0 | 5.0 | 8.9 | 12.9 |



● Mounting screws are not included.