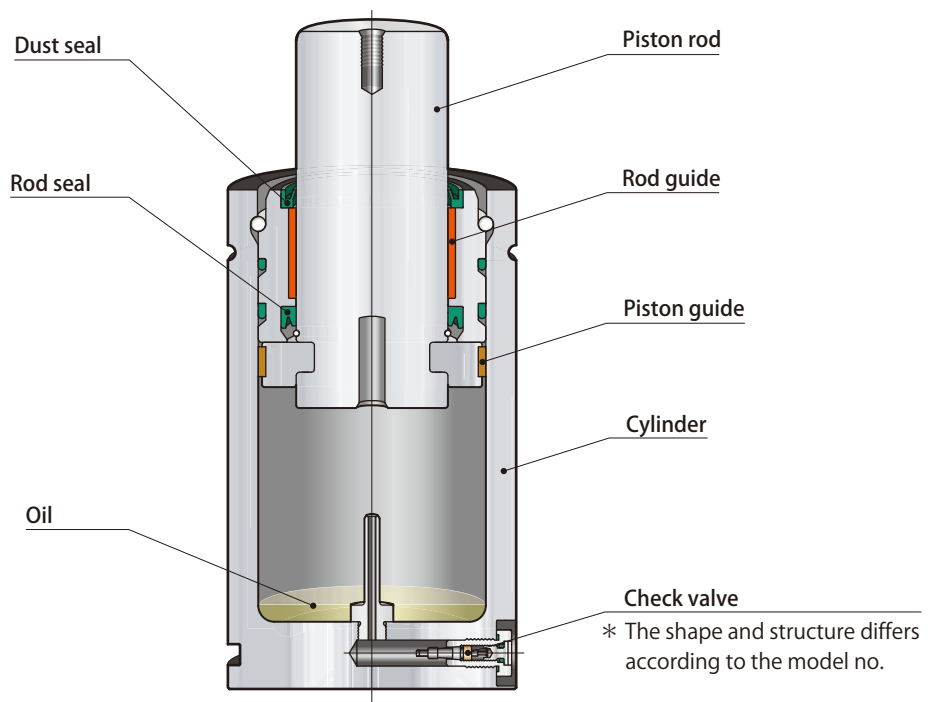


model **DNA**

## Gas spring model

DNA **0750** - **200** **FC** **15**

- 1 Size ●.....
- 2 Stroke S (mm) ●.....
- 3 Mounting flanges ●.....
- 4 Gas charge pressure (MPa) / way of piping ●.....

1 Size Refer to **Page → 37 ~ 38** for details

0250 0500 0750 1500 3000 5000

2 Stroke S Refer to **Page → 37 ~ 38** for details

**25** : 25 mm ~ **300** : 300 mm

3 Mounting flanges Refer to **Page → 39 ~ 42** for details

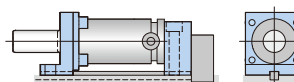
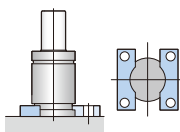
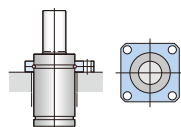
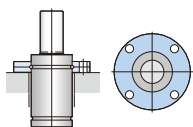
**FC** : FC flange

**FS** : FS flange

**SC** : CS flange

**HA** : HA flange

**BF** : without flange



4 Gas charge pressure (MPa) / way of piping

For self-contained use, Choose and specify one of the recommended gas pressure levels shown above.  
(For the charging pressure other than above, specify the pressure to one digit after the decimal point.)

**3.4** : 3.4 MPa  
}

Gas Charging Pressure: **3.4** **6.9** **10.3** **13.7** **15**

**15** : 15 MPa

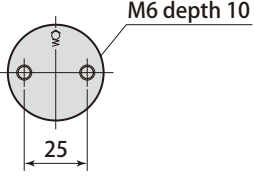
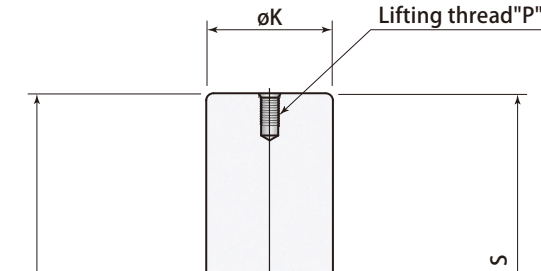
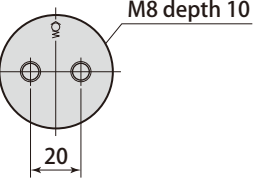
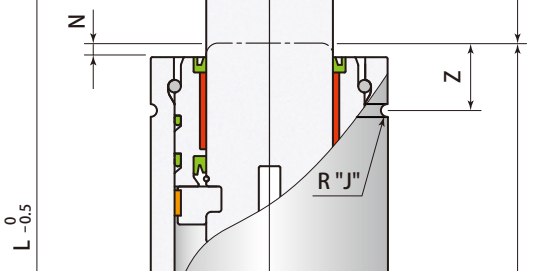
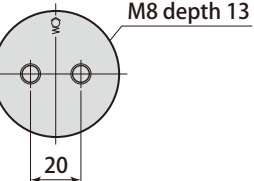
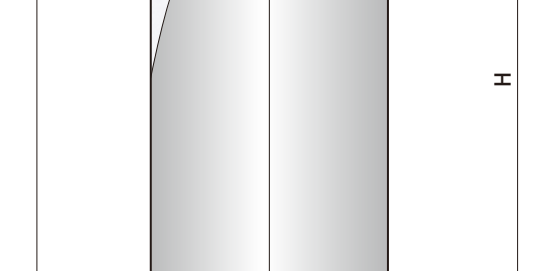
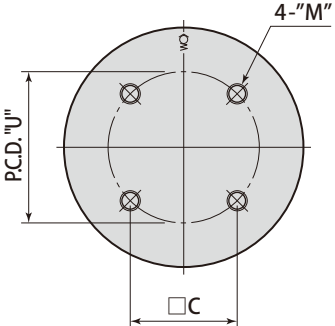
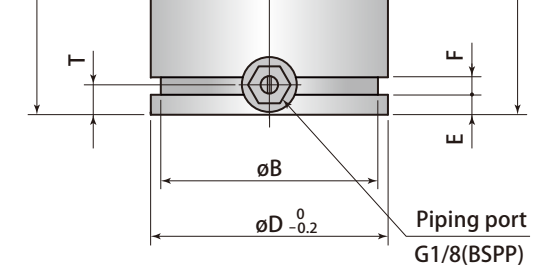
The gas charging range: 3.4 ~ 15MPa (20°C)

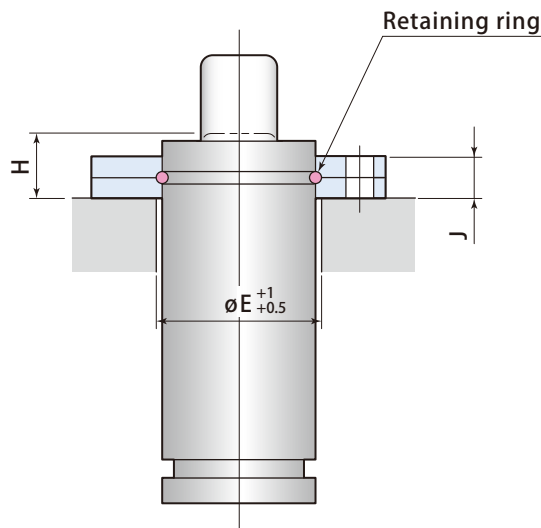
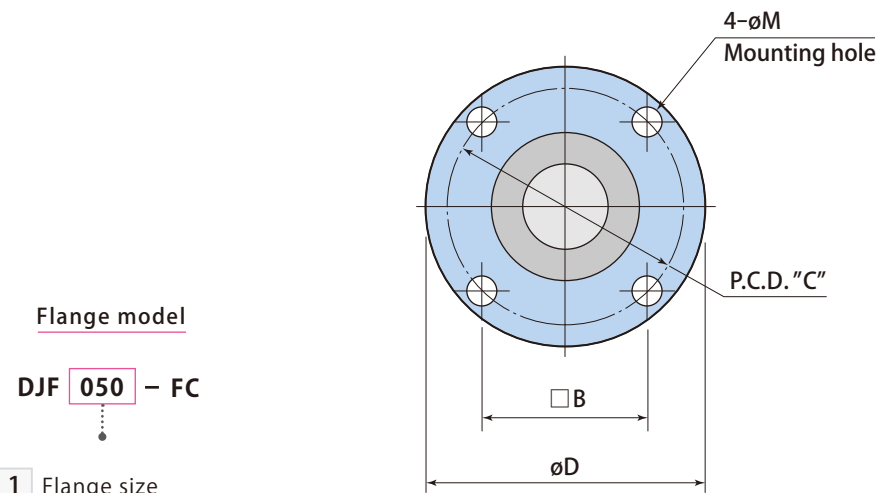
- **T** : For charging type, specify "-T". common to domestic and overseas (outside Japan) use.  
(Charging pressure is not necessary to specify) Check valve is not mounted at shipment.

- **OS** : Specify "- OS" in case self-contained gas spring without gas charge.

Model	Strokes mm	Initial force kN	Full stroke load kN	Compression ratio	Mass kg	L mm	H mm	Dimensions				
								mm				
DNA0250-	25	25	2.65	3.52	1.33	0.5	100	75	K = 15	P = M6 depth11		
	50	50	2.65	3.53	1.33	0.6	150	100	D = 38	T = 10.5		
	63.5	63.5	2.65	3.53	1.33	0.7	177	113.5	B = 33	J = 1		
	80	80	2.65	3.53	1.33	0.7	210	130	N = 2	Z = 12.5		
	100	100	2.65	3.53	1.33	0.8	250	150	E = 4	F = 4		
DNA0500-	25	25	4.71	6.23	1.32	1.1	135	110	K = 20	P = M8 depth8		
	50	50	4.71	6.54	1.39	1.2	185	135			D = 45	T = 15.5
	63.5	63.5	4.71	6.62	1.41	1.4	212	148.5			B = 40	J = 1
	80	80	4.71	6.69	1.42	1.5	245	165			N = 2	Z = 16.5
	100	100	4.71	6.74	1.43	1.6	285	185			E = 4	
	125	125	4.71	6.79	1.44	1.8	335	210			F = 4	
	160	160	4.71	6.82	1.45	2.0	405	245				
DNA0750-	80	80	7.36	11.4	1.54	1.9	255	175	K = 25	P = M8 depth13		
	100	100	7.36	11.5	1.56	2.1	295	195			D = 50	T = 12.5
	125	125	7.36	11.6	1.57	2.4	345	220			B = 43	J = 2
	160	160	7.36	11.7	1.59	2.7	415	255			N = 3	Z = 17.5
	200	200	7.36	11.8	1.60	3.1	495	295			E = 8	
	250	250	7.36	11.8	1.61	3.5	595	345			F = 7	
	300	300	7.36	11.9	1.61	4.0	695	395				
DNA1500-									K = 36	P = M8 depth13		
	160	160	15.3	23.1	1.51	6.4	430	270	D = 75	T = 12		
	200	200	15.3	23.2	1.52	7.2	510	310	B = 67	J = 2.5		
DNA3000-									N = 3	Z = 21		
	160	160	29.5	48.2	1.64	11.1	440	280	E = 8	C = 28.3		
	200	200	29.5	49.0	1.66	12.6	520	320	F = 7	U = 40		
										M = M8 depth15		
									K = 50	P = M8 depth13		
DNA5000-									D = 95	T = 12		
	160	160	49.8	79.4	1.60	18.9	460	300	B = 87	J = 2.5		
	200	200	49.8	81.4	1.64	21.3	540	340	N = 3	Z = 24		
								E = 8	C = 42.4			
								F = 7	U = 60			
									M = M8 depth13			
								K = 65	P = M8 depth13			
								D = 120	T = 12			
								B = 112	J = 2.5			
								N = 3	Z = 25.5			
								E = 8	C = 56.6			
								F = 7	U = 80			
									M = M10 depth15			

● Showing the figures at initial charging pressure 15MPa at 20°C .

Cylinder base mm	Dimensions mm
	
	
	
	 <p data-bbox="941 1803 1276 1848">⚠ Tips for stroke selection</p> <p data-bbox="821 1859 1380 1960">Use gas spring stroke as long as possible to ensure optimal performance of lubrication inside the cylinder.</p>

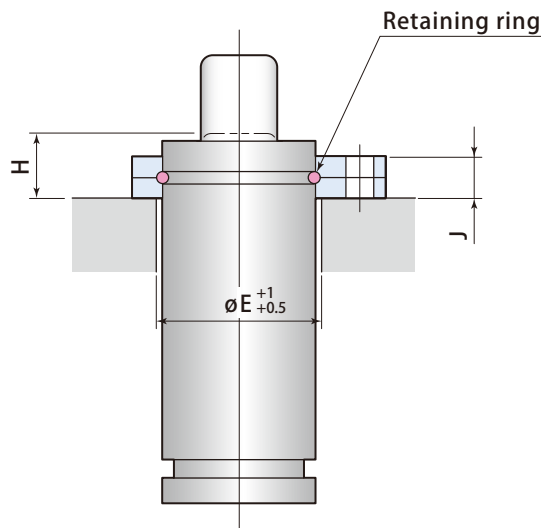
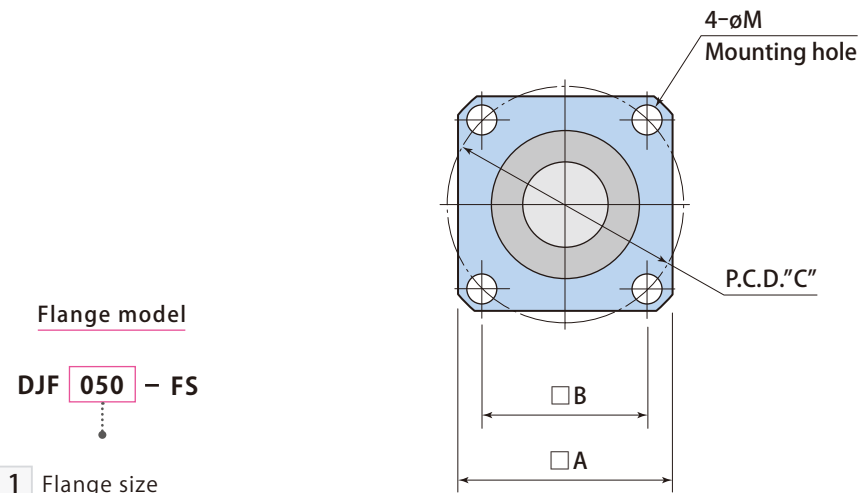


- FC flanges are designed with sufficient strength to accommodate the loading.  
(The flange should support the load by its full mounting face, and should be mounted by 4 screws.)

mm

Gas spring model	Flange model	B	C	D	E	H	J	M	Mass of flange
DNA0250	DJF038-FC	40	56.5	68	38	17	9	6.8	0.17 kg
DNA0500	DJF045-FC	50	70.7	86	45	23	13	9	0.40 kg
DNA0750	DJF050-FC	56.5	80	95	50	24	13	9	0.50 kg
DNA1500	DJF075-FC	73.5	104	122	75	29	16	11	0.88 kg
DNA3000	DJF095-FC	92	130	150	95	33	18	14	1.44 kg
DNA5000	DJF120-FC	109.5	155	175	120	36	21	14	2.03 kg

- Flange mounting screws are not included.



- FS flanges are designed with sufficient strength to accommodate the loading.  
(The flange should support the load by its full mounting face, and should be mounted by 4 screws.)

Gas spring model	Flange model	A	B	C	E	H	J	M	Mass of flange
DNA0250	DJF038-FS	52	40	56.5	38	17	9	6.8	0.12 kg
DNA0500	DJF045-FS	64	50	70.7	45	23	13	9	0.25 kg
DNA0750	DJF050-FS	70	56.5	80	50	24	13	9	0.30 kg
DNA1500	DJF075-FS	90	73.5	104	75	29	16	11	0.44 kg
DNA3000	DJF095-FS	110	92	130	95	33	18	14	0.65 kg
DNA5000	DJF120-FS	130	109.5	155	120	36	21	14	0.85 kg

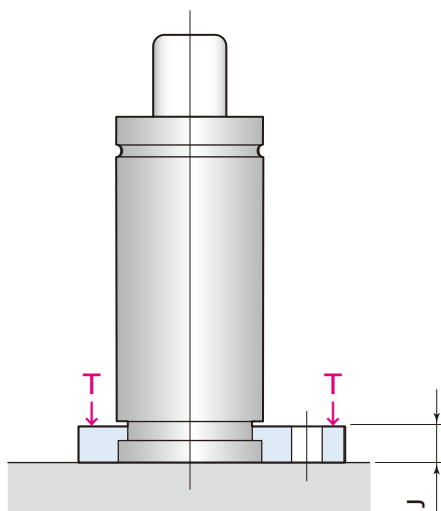
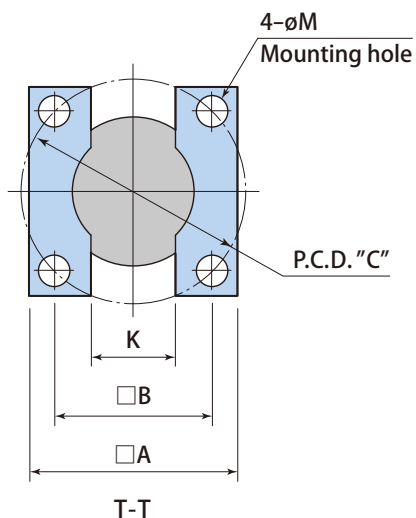
- Flange mounting screws are not included.

Flange model

DJF 050 – SC

1 Flange size

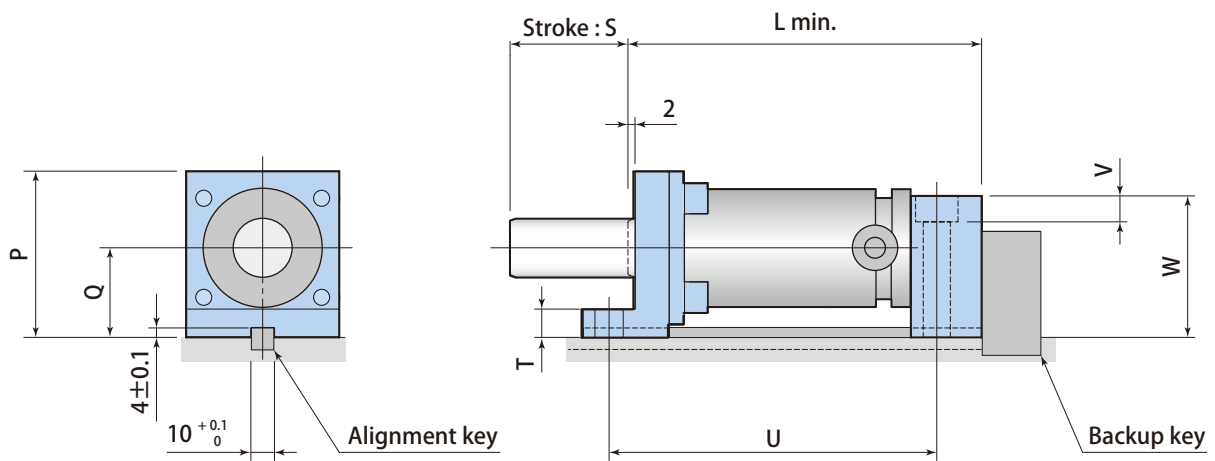
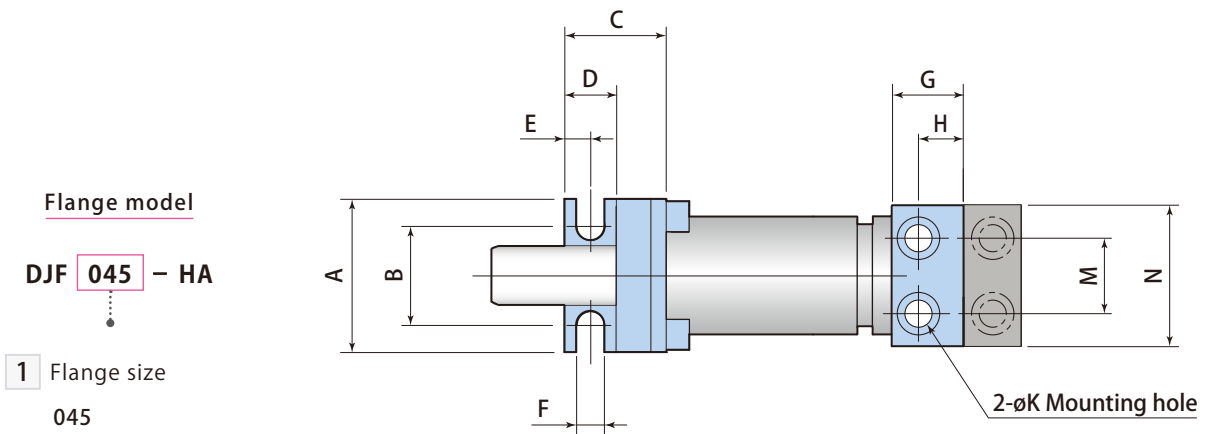
038	075
045	095
050	120



● The cylinder should be backed up fully at the bottom face.

Gas spring model	Flange model	A	B	C	J	K	M	Mass of flange
DNA0250	DJF038-SC	55	40	56.5	6	17	6.8	0.07 kg
DNA0500	DJF045-SC	70	50	70.7	6	20	9	0.12 kg
DNA0750	DJF050-SC	75	56.5	80	12	31	9	0.22 kg
DNA1500	DJF075-SC	100	73.5	104	12	36	11	0.39 kg
DNA3000	DJF095-SC	120	92	130	12	32	14	0.54 kg
DNA5000	DJF120-SC	140	109.5	155	12	40	14	0.64 kg

● Flange mounting screws are not included.



- Use a key groove of the flange when installation to avoid the side-load to the gas spring.
- Install a back up key at the back of flange to prevent the flange mounting screws from damage.

Gas spring model	Flange model	L min.	U	A	B	C	D	E	F	G	H	K	M	N	P	Q	T	V	W	Mass of flange
DNA0500	DJF045-HA	110+S	105+S	60	37	43	22	11	12	25	14	11	32	55	66	36	11	11	60	1.00 kg

- Flange mounting screws are not included.