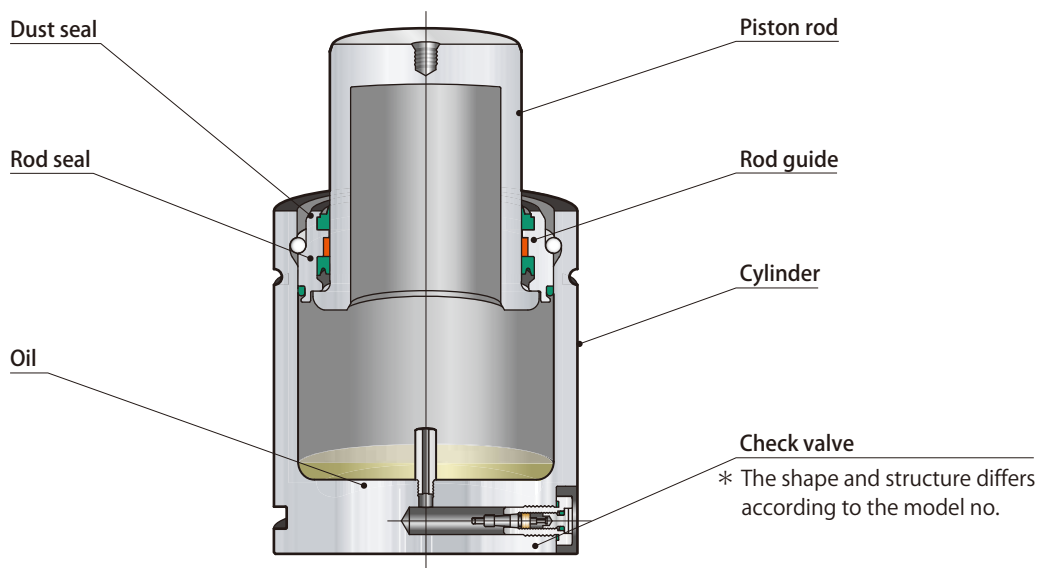


model **DNR**

Gas spring
DNR



Model designation

DNR **1500** - **50** **FC** **15**

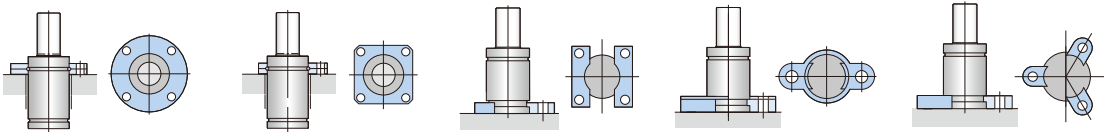
- 1 Size ●.....
- 2 Stroke S (mm) ●.....
- 3 Mounting flanges ●.....
- 4 Gas charge pressure (MPa) / way of piping ●.....

1 Size Refer to **Page → 19 ~ 20** for details
0350 0500 0750 1000 1500 2400 4200 6600 9500

2 Stroke S Refer to **Page → 19 ~ 20** for details
10 : 10 mm ~ **125** : 125 mm

3 Mounting flanges Refer to **Page → 21 ~ 25** for details

FC : FC flange **FS** : FS flange **SC** : SC flange **KA** : KA flange **KB** : KB flange **BF** : without flange



4 Gas charge pressure (MPa) / way of piping

For self-contained use, Choose and specify one of the recommended gas pressure levels shown above.
(For the charging pressure other than above, specify the pressure to one digit after the decimal point.)

3.4 : 3.4 MPa Gas Charging Pressure: **3.4** **6.9** **10.3** **13.7** **15** **18** *

15 : 15 MPa The gas charging range: 3.4 ~ 15MPa (20°C) * DNR0350only 3.4 ~ 18MPa

- **T** : For charging type, specify "-T". common to domestic and overseas (outside Japan) use.
(Charging pressure is not necessary to specify) Check valve is not mounted at shipment.
- **OS** : Specify "- OS" in case self-contained gas spring without gas charge.

Model	Stroke S mm	Initial force kN	Full stroke load kN	Compression ratio	Mass kg	L mm	H mm	Dimensions mm
DNR0350-	10	10	3.62	5.89	1.63	0.2	50	40
	13	13	3.62	5.74	1.59	0.2	56	43
	16	16	3.62	5.65	1.56	0.2	62	46
	19	19	3.62	5.60	1.55	0.2	68	49
	25	25	3.62	5.53	1.53	0.2	80	55
	32	32	3.62	5.49	1.52	0.2	94	62
	38	38	3.62	5.46	1.51	0.3	106	68
	50	50	3.62	5.43	1.50	0.3	130	80
	63	63	3.62	5.42	1.50	0.3	156	93
	75	75	3.62	5.40	1.49	0.4	180	105
	80	80	3.62	5.40	1.49	0.4	190	110
	100	100	3.62	5.39	1.49	0.4	230	130
125	125	3.62	5.38	1.49	0.5	280	155	
								K = 16 T = 6 D = 32 J = 1 B = 27 N = 2 E = 4 Z = 12.5 F = 3.5 P = M6 depth5 Piping port= M6
DNR0500-	10	10	4.71	8.02	1.70	0.3	50	40
	13	13	4.71	7.83	1.66	0.3	56	43
	16	16	4.71	7.72	1.64	0.3	62	46
	19	19	4.71	7.66	1.63	0.3	68	49
	25	25	4.71	7.57	1.61	0.3	80	55
	32	32	4.71	7.52	1.60	0.4	94	62
	38	38	4.71	7.49	1.59	0.4	106	68
	50	50	4.71	7.45	1.58	0.4	130	80
	63	63	4.71	7.42	1.58	0.5	156	93
	75	75	4.71	7.41	1.57	0.5	180	105
	80	80	4.71	7.40	1.57	0.6	190	110
	100	100	4.71	7.39	1.57	0.7	230	130
125	125	4.71	7.38	1.57	0.8	280	155	
								K = 20 T = 6 D = 38 J = 1 B = 33 N = 2 E = 4 Z = 12.5 F = 4 P = M6 depth5 Piping port= M6
DNR0750-	10	10	7.36	11.8	1.60	0.4	52	42
	13	13	7.36	11.7	1.59	0.4	58	45
	16	16	7.36	11.6	1.58	0.4	64	48
	19	19	7.36	11.6	1.58	0.4	70	51
	25	25	7.36	11.5	1.56	0.4	82	57
	32	32	7.36	11.4	1.55	0.5	96	64
	38	38	7.36	11.4	1.55	0.5	108	70
	50	50	7.36	11.4	1.55	0.6	132	82
	63	63	7.36	11.4	1.55	0.6	158	95
	75	75	7.36	11.4	1.55	0.7	182	107
	80	80	7.36	11.4	1.55	0.7	192	112
	100	100	7.36	11.3	1.54	0.8	232	132
125	125	7.36	11.3	1.54	1.0	282	157	
								K = 25 T = 6 D = 45 J = 1 B = 40 N = 2 E = 4 Z = 15.5 F = 4 P = M6 depth5 Piping port= M6
DNR1000-	13	13	9.24	15.0	1.62	0.5	64	51
	16	16	9.24	15.0	1.62	0.5	70	54
	19	19	9.24	15.0	1.62	0.6	76	57
	25	25	9.24	15.0	1.62	0.6	88	63
	32	32	9.24	15.0	1.62	0.7	102	70
	38	38	9.24	15.0	1.62	0.7	114	76
	50	50	9.24	15.0	1.62	0.8	138	88
	63	63	9.24	15.0	1.62	0.9	164	101
	75	75	9.24	15.0	1.62	1.0	188	113
	80	80	9.24	15.0	1.62	1.0	198	118
	100	100	9.24	15.0	1.62	1.2	238	138
	125	125	9.24	15.0	1.62	1.4	288	163
								K = 28 T = 6 D = 50 J = 2 B = 43 N = 3 E = 8 Z = 15.5 F = 7 P = M6 depth5 Piping port= M6
DNR1500-	13	13	15.3	23.8	1.56	1.0	70	57
	16	16	15.3	24.1	1.58	1.0	76	60
	19	19	15.3	24.3	1.59	1.1	82	63
	25	25	15.3	24.6	1.61	1.1	94	69
	32	32	15.3	24.8	1.62	1.2	108	76
	38	38	15.3	24.9	1.63	1.3	120	82
	50	50	15.3	25.0	1.63	1.5	144	94
	63	63	15.3	25.1	1.64	1.6	170	107
	75	75	15.3	25.2	1.65	1.8	194	119
	80	80	15.3	25.2	1.65	1.8	204	124
100	100	15.3	25.3	1.65	2.1	244	144	
125	125	15.3	25.3	1.65	2.4	294	169	
								K = 36 T = 6 D = 63 J = 2 B = 56 N = 3 E = 8 Z = 19 F = 7 P = M6 depth5 Piping port= M6
DNR2400-	16	16	23.9	35.9	1.50	1.4	77	61
	19	19	23.9	36.3	1.52	1.4	83	64
	25	25	23.9	36.9	1.54	1.5	95	70
	32	32	23.9	37.3	1.56	1.6	109	77
	38	38	23.9	37.6	1.57	1.7	121	83
	50	50	23.9	37.9	1.59	1.9	145	95
	63	63	23.9	38.2	1.60	2.1	171	108
	75	75	23.9	38.3	1.60	2.3	195	120
	80	80	23.9	38.4	1.61	2.3	205	125
	100	100	23.9	38.5	1.61	2.6	245	145
125	125	23.9	38.6	1.62	3.0	295	170	
								K = 45 T = 6 D = 75 J = 2.5 B = 67 N = 3 E = 8 Z = 21 F = 7 P = M6 depth5 Piping port= M6

Gas spring
DNR

Model	Stroke S mm	Initial force kN	Full stroke load kN	Compression ratio	Mass kg	L mm	H mm	Dimensions mm	
DNR4200-	16	16	42.4	62.7	1.48	2.9	90	74	K = 60 T = 10.5 D = 95 J = 2.5 B = 87 N = 3 E = 8 Z = 24 F = 7 P = M8 depth6 Piping port= G1/8(BSPP)
	19	19	42.4	63.8	1.50	2.9	96	77	
	25	25	42.4	65.6	1.55	3.1	108	83	
	32	32	42.4	66.9	1.58	3.3	122	90	
	38	38	42.4	67.7	1.60	3.4	134	96	
	50	50	42.4	68.8	1.62	3.7	158	108	
	63	63	42.4	69.6	1.64	4.0	184	121	
	75	75	42.4	70.1	1.65	4.3	208	133	
	80	80	42.4	70.2	1.66	4.5	218	138	
	100	100	42.4	70.7	1.67	5.0	258	158	
125	125	42.4	71.2	1.68	5.6	308	183		
DNR6600-	16	16	66.3	92.2	1.39	5.3	100	84	K = 75 T = 10.5 D = 120 J = 2.5 B = 112 N = 3 E = 8 Z = 25.5 F = 7 P = M8 depth6 Piping port= G1/8(BSPP)
	19	19	66.3	94.3	1.42	5.4	106	87	
	25	25	66.3	97.7	1.47	5.5	118	93	
	32	32	66.3	100.3	1.51	5.8	132	100	
	38	38	66.3	102.0	1.54	6.1	144	106	
	50	50	66.3	104.4	1.57	6.6	168	118	
	63	63	66.3	106.1	1.60	7.1	194	131	
	75	75	66.3	107.2	1.62	7.6	218	143	
	80	80	66.3	107.6	1.62	7.8	228	148	
	100	100	66.3	108.9	1.64	8.6	268	168	
125	125	66.3	109.9	1.66	9.6	318	193		
DNR9500-	19 *	19	95.4	130.8	1.37	9.7	116	97	K = 90 T = 10.5 D = 150 J = 2.5 B = 142 N = 3 E = 8 Z = 27.5 F = 7 P = M8 depth6 Piping port= G1/8(BSPP)
	25 *	25	95.4	135.5	1.42	10.1	128	103	
	32 *	32	95.4	138.9	1.46	10.5	142	110	
	38 *	38	95.4	141.0	1.48	10.9	154	116	
	50 *	50	95.4	144.2	1.51	11.7	178	128	
	63 *	63	95.4	146.5	1.53	12.5	204	141	
	75 *	75	95.4	148.0	1.55	13.2	228	153	
	80 *	80	95.4	148.5	1.56	13.5	238	158	
	100 *	100	95.4	150.1	1.57	14.7	278	178	
	125 *	125	95.4	151.5	1.59	16.3	328	203	

● * made to order

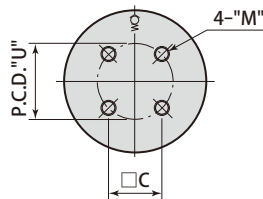
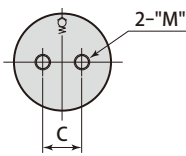
● Showing the figures at initial charging pressure 15MPa at 20°C .(model DNR0350only 18MPa)

Cylinder base

Dimensions

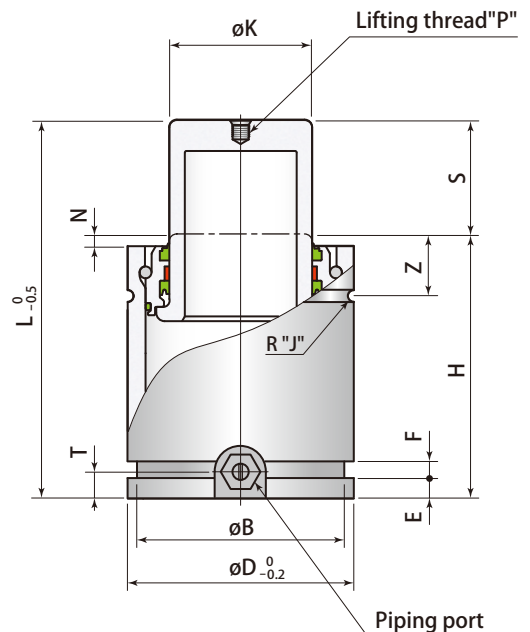
DNR0350~DNR1500

DNR2400~DNR9500



Model	C	M
DNR0350	20	M6 depth6
DNR0500	25	M6 depth6
DNR0750	20	M8 depth6
DNR1000	20	M8 depth6
DNR1500	20	M8 depth6

Model	C	U	M
DNR2400	28.3	40	M8 depth6
DNR4200	42.4	60	M8 depth13
DNR6600	56.6	80	M10 depth13
DNR9500	70.7	100	M10 depth16



⚠ Tips for stroke selection

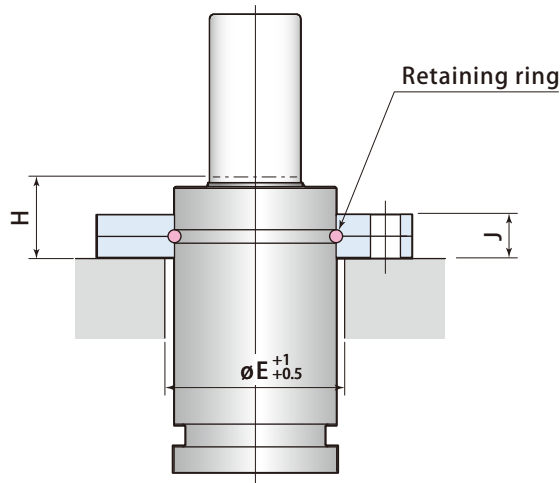
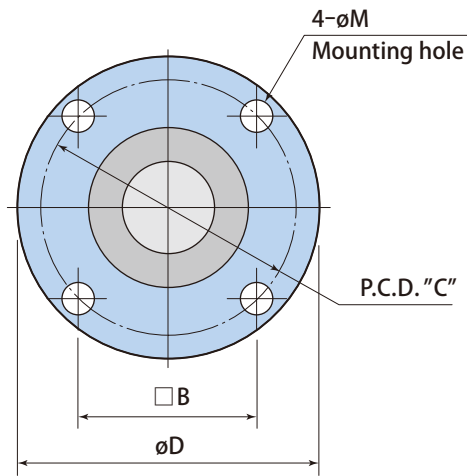
Use gas spring stroke as long as possible to ensure optimal performance of lubrication inside the cylinder.

Flange model

DJF 063 - FC

1 Flange size

- 032 075
- 038 095
- 045 120
- 050 150
- 063



● FC flanges are designed with sufficient strength to accommodate the loading.
(The flange should support the load by its full mounting face, and should be mounted by 4 screws.)

Gas spring model	Flange model	B	C	D	E	H	J	M	Mass of flange
DNR0350	DJF032-FC	35	49.5	60	32	17	9	6.8	0.13 kg
DNR0500	DJF038-FC	40	56.5	68	38	17	9	6.8	0.17 kg
DNR0750	DJF045-FC	50	70.7	86	45	22	13	9	0.40 kg
DNR1000	DJF050-FC	56.5	80	95	50	22	13	9	0.50 kg
DNR1500	DJF063-FC	73.5	104	122	63	27	16	11	1.03 kg
DNR2400	DJF075-FC	73.5	104	122	75	29	16	11	0.88 kg
DNR4200	DJF095-FC	92	130	150	95	33	18	14	1.44 kg
DNR6600	DJF120-FC	109.5	155	175	120	36	21	14	2.03 kg
DNR9500	DJF150-FC	138	195	220	150	41	27	18	4.13 kg

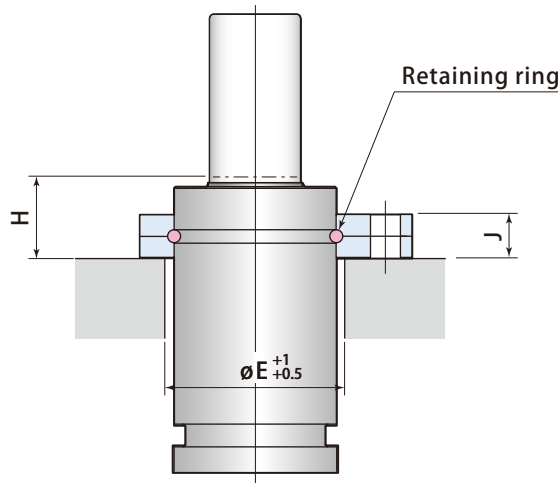
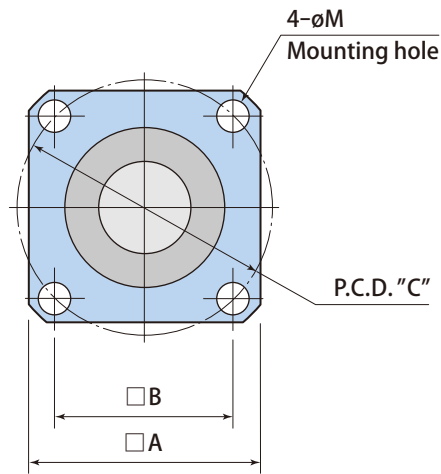
● Flange mounting screws are not included.

Flange model

DJF 063 - FS

1 Flange size

- 032 075
- 038 095
- 045 120
- 050 150
- 063



● FS flanges are designed with sufficient strength to accommodate the loading.
(The flange should support the load by its full mounting face, and should be mounted by 4 screws.)

Gas spring model	Flange model	A	B	C	E	H	J	M	Mass of flange
DNR0350	DJF032-FS	45	35	49.5	32	17	9	6.8	0.10 kg
DNR0500	DJF038-FS	52	40	56.5	38	17	9	6.8	0.12 kg
DNR0750	DJF045-FS	64	50	70.7	45	22	13	9	0.25 kg
DNR1000	DJF050-FS	70	56.5	80	50	22	13	9	0.30 kg
DNR1500	DJF063-FS	90	73.5	104	63	27	16	11	0.60 kg
DNR2400	DJF075-FS	90	73.5	104	75	29	16	11	0.44 kg
DNR4200	DJF095-FS	110	92	130	95	33	18	14	0.65 kg
DNR6600	DJF120-FS	130	109.5	155	120	36	21	14	0.85 kg
DNR9500	DJF150-FS	162	138	195	150	41	27	18	1.60 kg

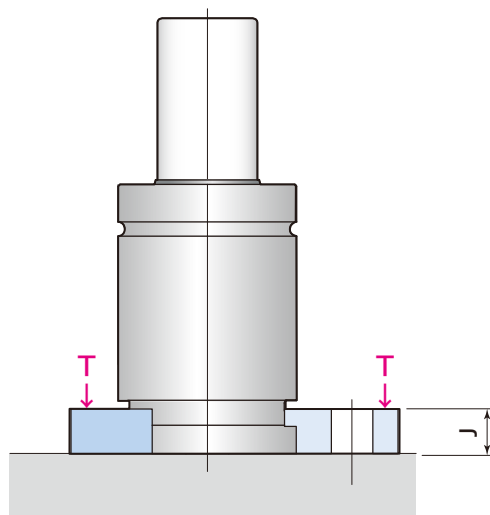
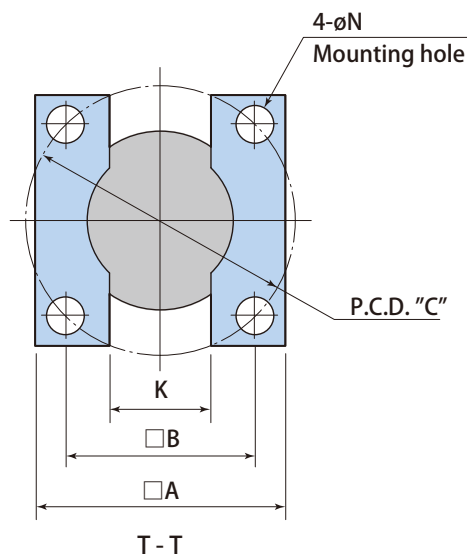
● Flange mounting screws are not included.

Flange model

DJF 063 - SC

1 Flange size

- 032 075
- 038 095
- 045 120
- 050 150
- 063



● The cylinder should be backed up fully at the bottom face.

Gas spring model	Flange model	A	B	C	J	K	N	Mass of flange
DNR0350	DJF032-SC	50	35	49.5	6	18	6.8	0.06 kg
DNR0500	DJF038-SC	55	40	56.5	6	17	6.8	0.07 kg
DNR0750	DJF045-SC	70	50	70.7	6	20	9	0.12 kg
DNR1000	DJF050-SC	75	56.5	80	12	31	9	0.22 kg
DNR1500	DJF063-SC	100	73.5	104	12	36	11	0.46 kg
DNR2400	DJF075-SC	100	73.5	104	12	36	11	0.39 kg
DNR4200	DJF095-SC	120	92	130	12	32	14	0.54 kg
DNR6600	DJF120-SC	140	109.5	155	12	40	14	0.64 kg
DNR9500	DJF150-SC *	190	138	195	12	40	18	1.52 kg

● * made to order

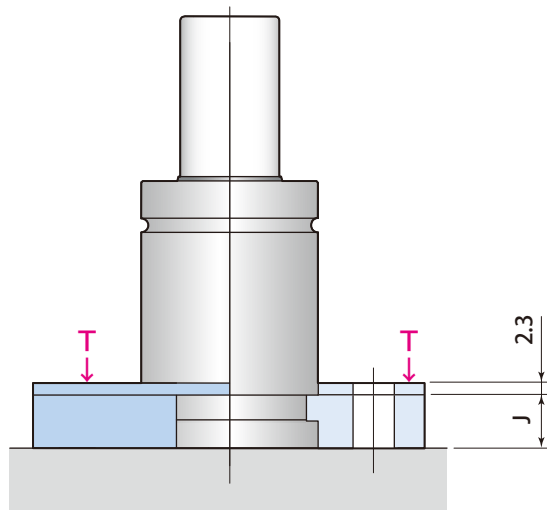
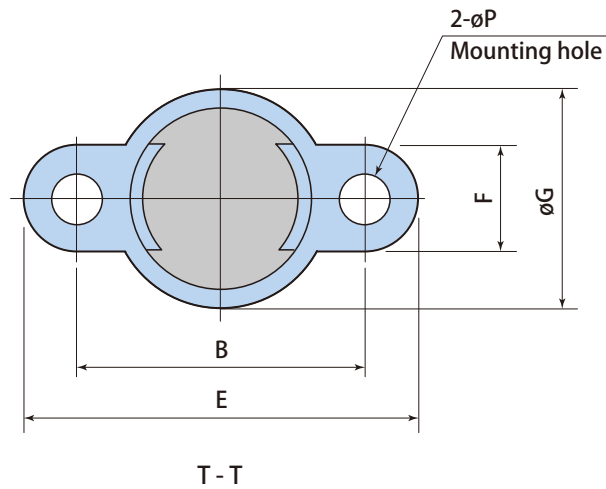
● Flange mounting screws are not included.

Flange model

DJF 063 - KA

1 Flange size

038	075
045	095
050	120
063	150



- KA flange cannot be used for hose-linked gas spring.
- The cylinder should be backed up fully at the bottom face.

mm

Gas spring model	Flange model	B	E	F	G	J	P	Mass of flange
DNR0500	DJF038-KA	56.5	76.5	20	48	7	6.8	0.06 kg
DNR0750	DJF045-KA	70.7	95.8	25	56	7	9	0.09 kg
DNR1000	DJF050-KA	80	110	30	61	14.2	14	0.20 kg
DNR1500	DJF063-KA	92	122	30	74	14.2	14	0.20 kg
DNR2400	DJF075-KA	104	134	30	86	14.2	14	0.20 kg
DNR4200	DJF095-KA	130	170	40	106	14.2	18	0.34 kg
DNR6600	DJF120-KA	155	205	50	131	14.2	18	0.49 kg
DNR9500	DJF150-KA *	195	245	50	170	14.2	22	0.56 kg

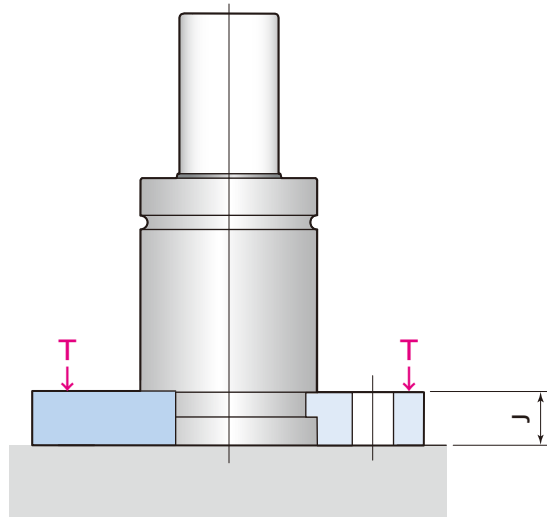
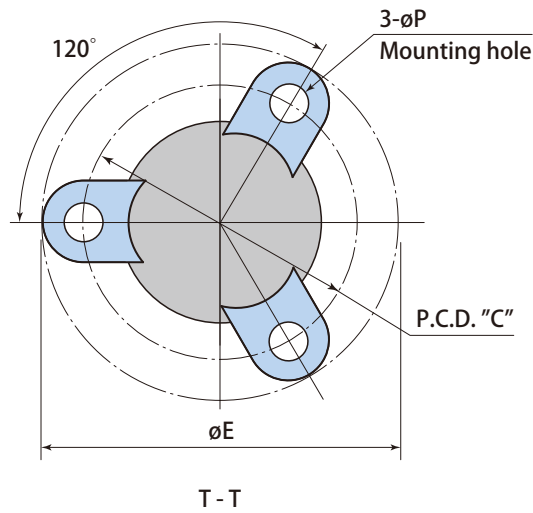
- * made to order
- Flange mounting screws are not included.

Flange model

DJF 075 - KB

1 Flange size

- 075
- 095
- 120
- 150



● The cylinder should be backed up fully at the bottom face.

Gas spring model	Flange model	C	E	J	P	Mass of flange
DNR2400	DJF075-KB	104	134	14.2	14	0.24 kg
DNR4200	DJF095-KB	130	170	14.2	18	0.41 kg
DNR6600	DJF120-KB	155	205	14.2	18	0.60 kg
DNR9500	DJF150-KB *	195	245	14.2	22	0.64 kg

mm

- * made to order
- Flange mounting screws are not included.