

Cam drive

Tool unclamp unit

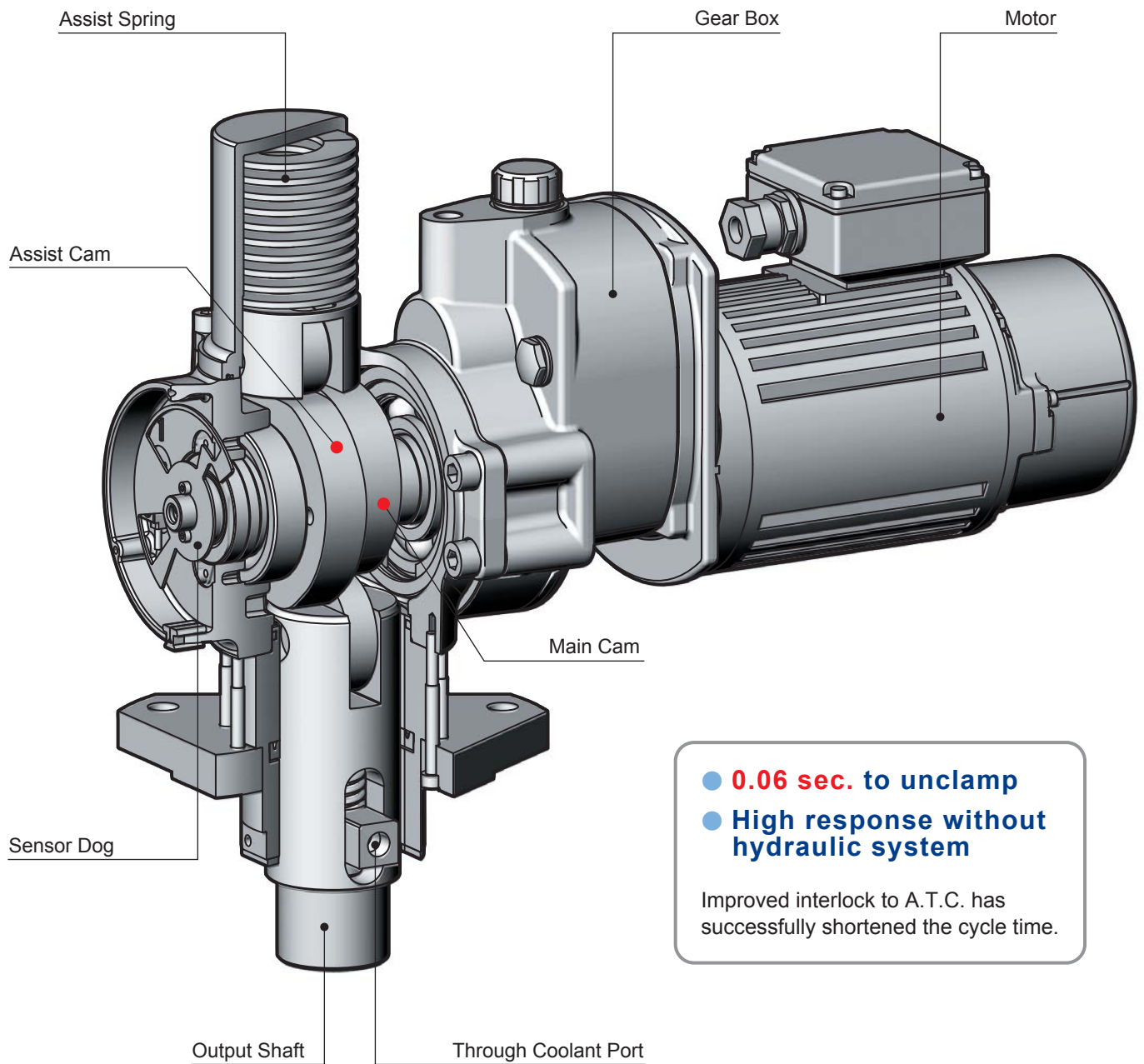
Motor driven double cam tool unclamping unit

model **MNC**



Pascal
www.pascaleng.co.jp

Tool unclamp unit Motor driven double cam

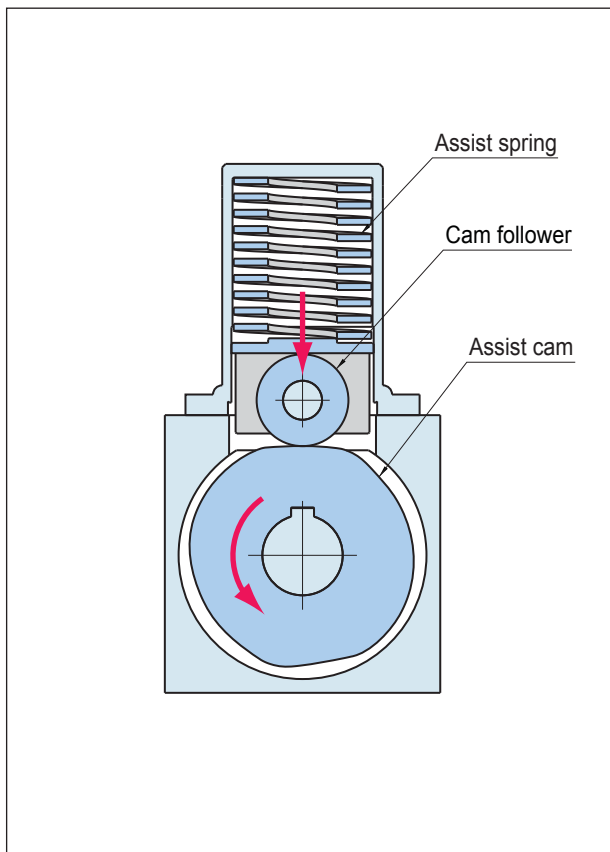


- **0.06 sec. to unclamp**
- **High response without hydraulic system**

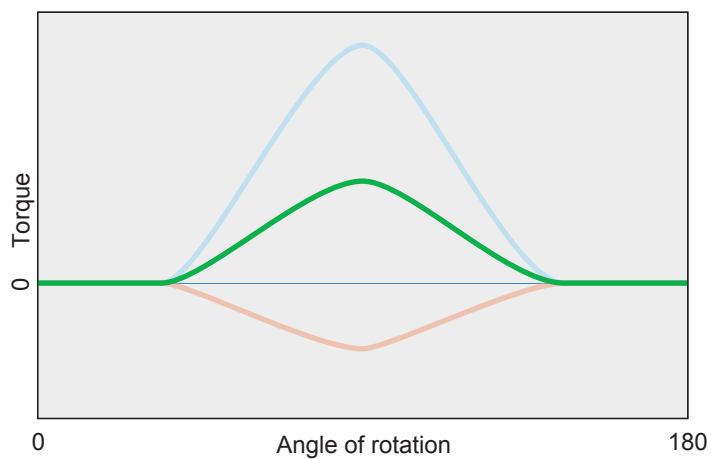
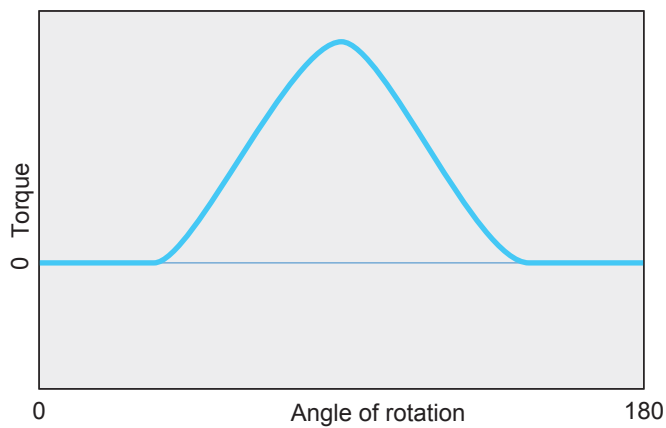
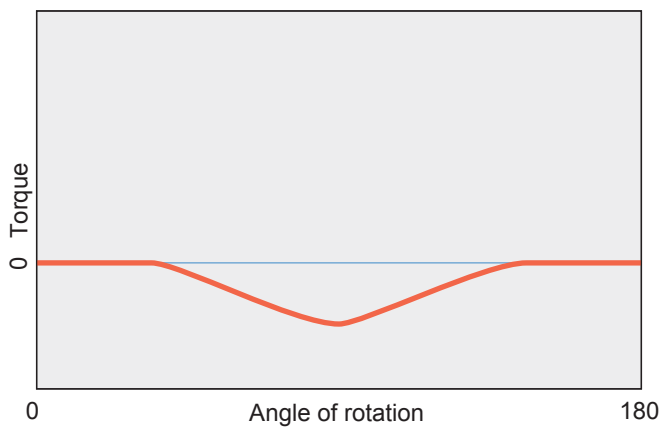
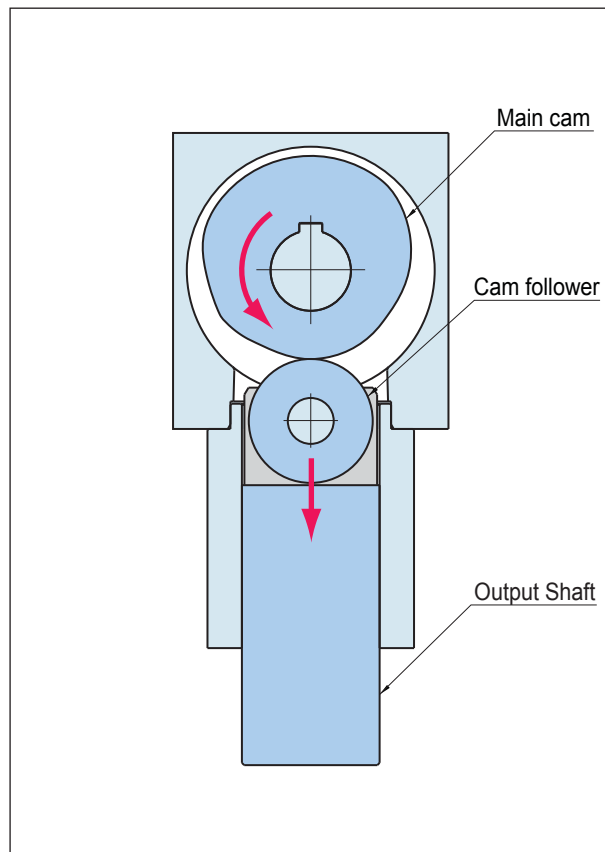
Improved interlock to A.T.C. has successfully shortened the cycle time.

model **MNC**

Assist cam



Main cam



Pascal

Itami, Hyogo, Japan 664-8502
TEL. 072-777-3333 FAX. 072-777-3520



CERTIFICATE OF APPROVAL ISO9001