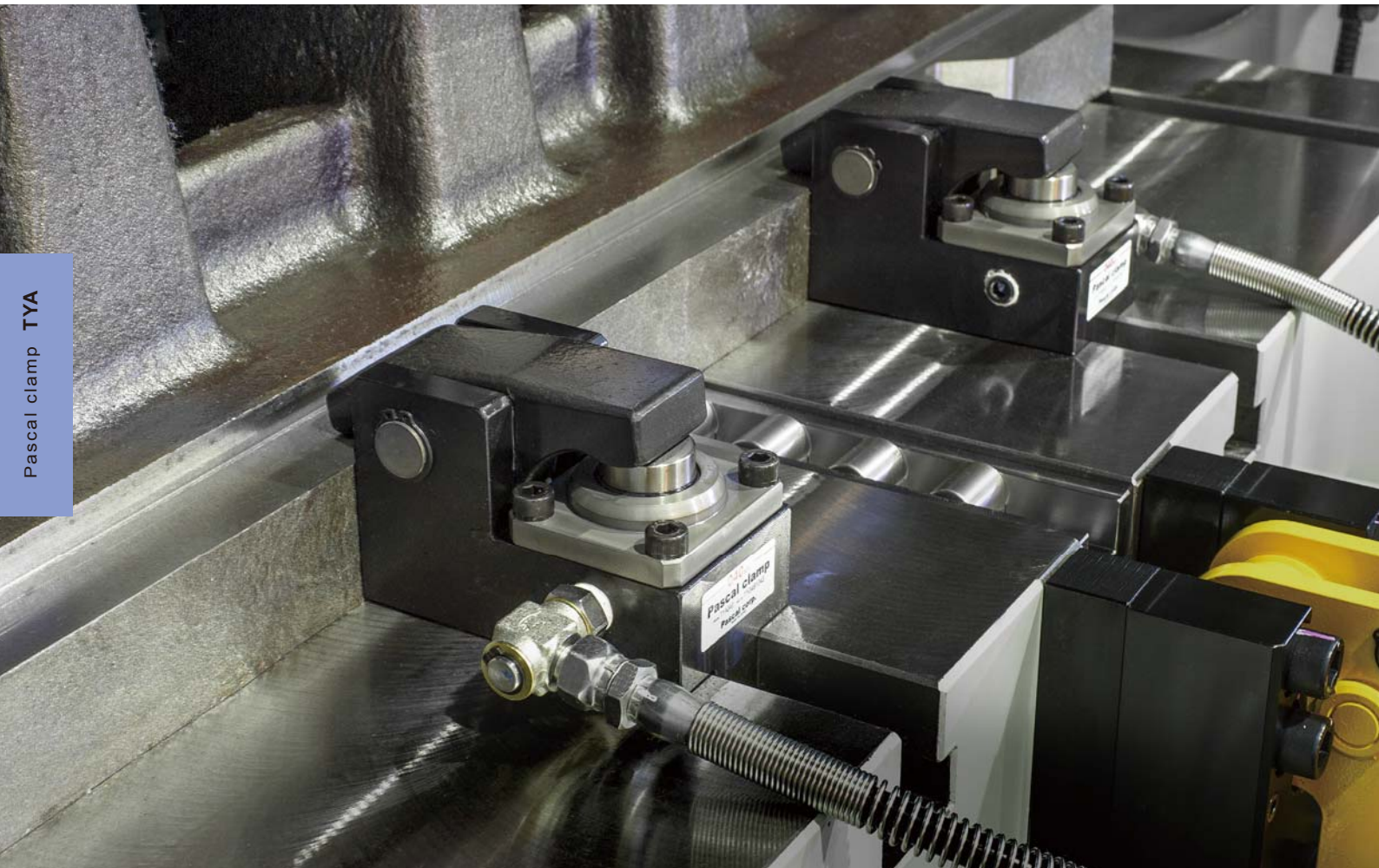


# Pascal clamp model TYA

Pascal clamp



T-slotted manual slide type of clamp with lever.



Pascal clamp TYA

### Model designation

TYA **063**

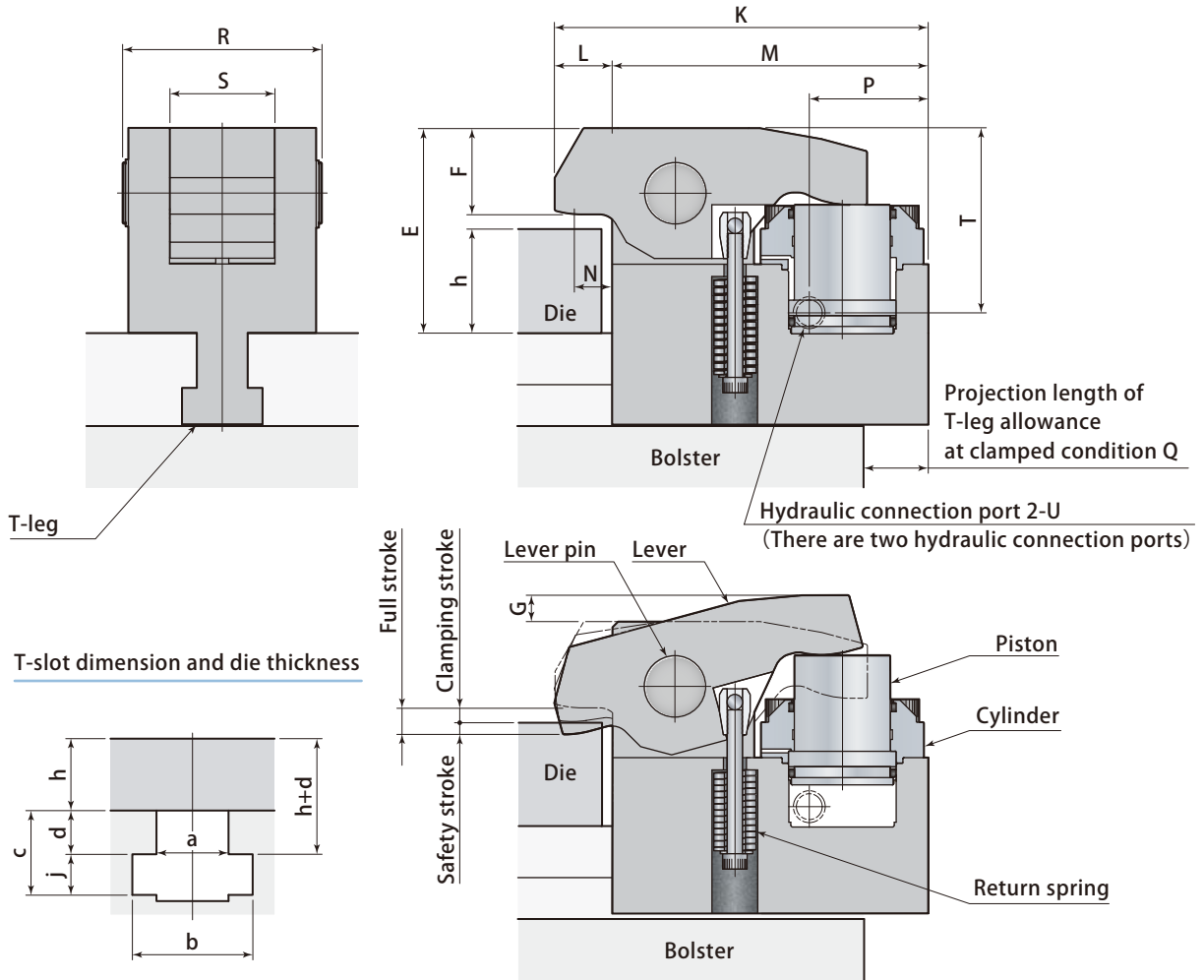
Clamping force

Refer to the below specifications for the details.

#### Specifications

Model		TYA010	TYA020	TYA040	TYA063	TYA100	TYA160	TYA250
Clamping force (at 24.5 MPa)	kN	9.8	19.6	39.2	61.7	98	156	245
Proof pressure	MPa	36.7						
Full stroke	mm	6	7		8			
Clamping stroke	mm	3	4					
Safety stroke	mm	3			4			
Cylinder capacity (at full stroke)	cm <sup>3</sup>	2.4	6.3	13.2	22.3	37	61	93
Operating temperature	°C	0 ~ 70 (Standard)						
Approximate weight	kg	1	3	4.5	9	15	25	35

- Working hydraulic pressure : 24.5MPa ● Weight varies according to the dimension of clamp T-leg and die thickness.
- Clamping stroke and safety stroke are the standard, however they are subject to change depending on dimensions of die and T-slot. Contact Pascal for the details.



Pascal clamp TYA

Model	TYA010	TYA020	TYA040	TYA063	TYA100	TYA160	TYA250
K	73	101	143	163	195	230	270
L	15	18	23	30	30	30	30
M	58	83	120	133	165	200	240
Clamping point N	10	12.5	16	20	20	20	20
P	31	41	32.5	36	62	80	90
R	46.4	58	73	93	104	125	155
S	20	28	40	50	55	60	72
T	34.5	43	57.5	68.5	97	120	156
Hydraulic connection port U	Rc1/8				Rc1/4		
Max. G	6	10	10	10	11	12	13
Max. Q	18	22	32	36	45	55	69
Min. E	44.5	54	69.5	81.5	107	132	168
Min. a	10	12.5	15	19	23	27	32
Min. j	8	9.5	11.5	15	17	20	23
Tolerance of dimension d					± 0.2		
Max. h		50		60	70	80	100
Min. h	15	22.5	28	28	38	48	68
Tolerance of dimension h					± 0.3		

- Specify T-slot dimensions a, b, d, j and die thickness h. For brand new machine, machine d and h dimensions with the tolerance shown in the above table. For existing machine, specify tolerance of 0.1mm unit on d and h dimensions.
- In case dimension is over Max. h, refer to **page →88** High distance clamp type.
- In case dimension is less than Min. h, refer to **page →90** Low distance clamp type.

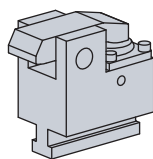
● Lever height F varies according to the dimension h.

Model	TYA010	TYA020	TYA040	TYA063	TYA100	TYA160	TYA250
Lever height F	16.5 (25 ≤ h)	17.5 (32.5 ≤ h)	27.5 (38 ≤ h)	29.5 (48 ≤ h)	45 (58 ≤ h)	60 (68 ≤ h)	76 (88 ≤ h)
Inside the parenthesis is range of h	21.5 (20 ≤ h < 25)	22.5 (27.5 ≤ h < 32.5)	32.5 (33 ≤ h < 38)	39.5 (38 ≤ h < 48)	55 (48 ≤ h < 58)	70 (58 ≤ h < 68)	86 (78 ≤ h < 88)
	26.5 (15 ≤ h < 20)	27.5 (22.5 ≤ h < 27.5)	37.5 (28 ≤ h < 33)	49.5 (28 ≤ h < 38)	65 (38 ≤ h < 48)	80 (48 ≤ h < 58)	96 (68 ≤ h < 78)

**H** High distance clamp type **TYA□-H**

It is applied in case the die thickness is over the standard.

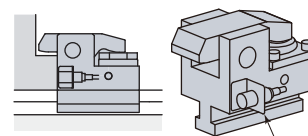
page → 88



**E** With die detection proximity switch **TYA□E**

It prevents clamp misplace.

page → 89

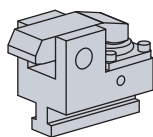


Die detection proximity switch

**V** Heat proof type **TYA□-V**

It is applied under condition that the die and its surroundings are in high temperature.

Operating temperature : 5 ~ 120°C

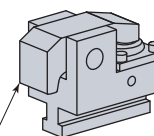


**T** Low distance clamp type **TYA□-T**

It is applied in case the die thickness is thinner than the standard.

page → 90

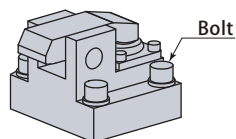
Lower type of lever



**F** Bolted type **TYA□-F**

It is applied in case of clamping without T-slot.

pages → 91 ~ 92



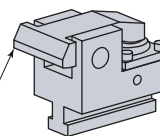
Bolt

**W** Wide lever type **TYA□-W**

It is applied in case of clamping the die with U-cut.

page → 93

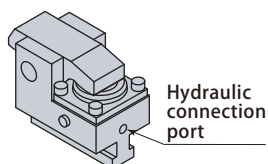
Wide lever



**J** Rear piping type **TYA□-J**

It is applied in case there are some interferences at clamp side and the side piping connection (standard specification) is not available.

page → 94

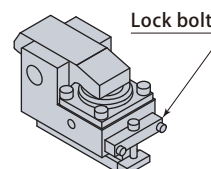


Hydraulic connection port

**L** Lock type **TYA□-L**

It can fix the clamp installed on the position out of reach, such as the rear side.

page → 95



Lock bolt

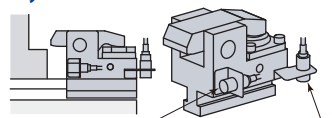
**U** With die detection and backward end detection proximity switches **TYA□U**

It prevents misclamping and the damage due to retract back misplace at die change operation.

page → 96

Die detection proximity switch

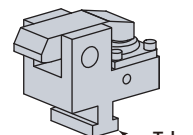
Backward end detection proximity switch



**C** T-slot type for lateral direction **TYA□-C**

It is applied in case the T-slot is parallel against the die.

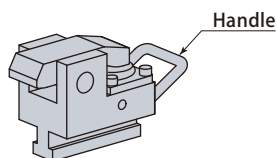
page → 97



T-leg

**G** With handle **TYA□-G**

Only for TYA040-250. It does not correspond to TYA010, TYA020.



Handle

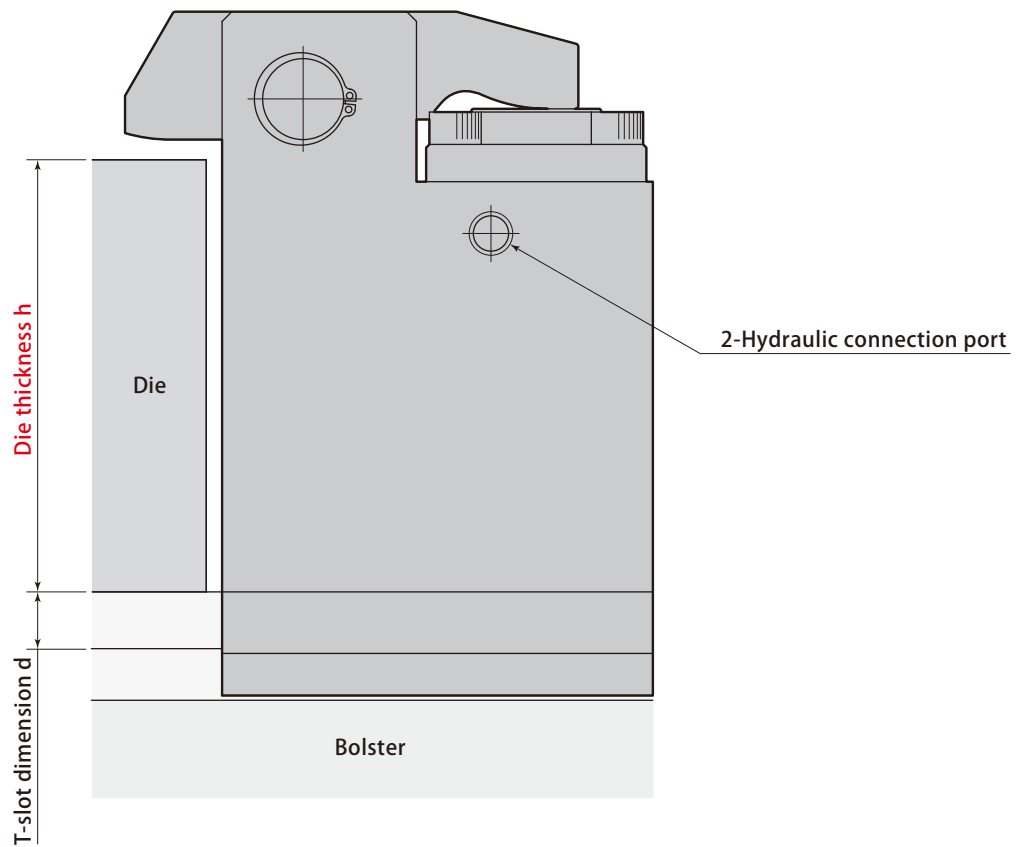
**H** High distance clamp type It is applied in case the die thickness is over the standard.

Model designation

TYA 063 - H

• Clamping force

- TYA010 TYA020 TYA040 TYA063
- TYA100 TYA160 TYA250



- In case the die thickness h is inside range of the below table, specify the high distance clamp type.  
In case the dimension h, d is over the below table, contact Pascal.

Model	TYA010-H	TYA020-H	TYA040-H	TYA063-H	TYA100-H	TYA160-H	TYA250-H
Clamping height h	50 < h ≤ 90	50 < h ≤ 90	50 < h ≤ 100	60 < h ≤ 150	70 < h ≤ 140	80 < h ≤ 130	100 < h ≤ 120
T-slot dimension d	d < 30	d < 30	d < 30	d < 40	d < 40	d < 40	d < 40

mm

**E With die detection proximity switch**

It prevents clamp misplace.

Model designation

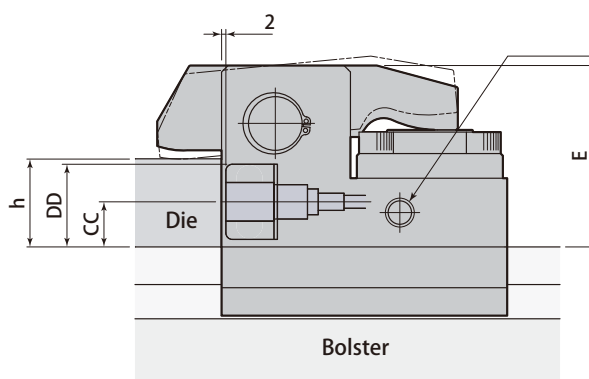
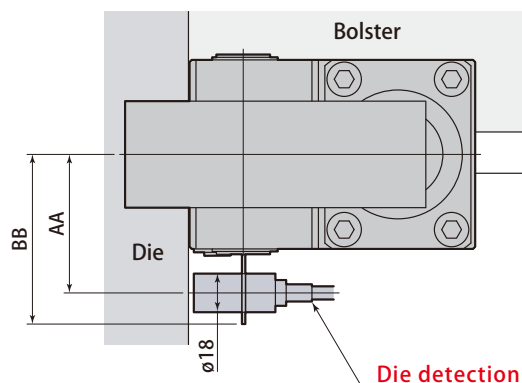
TYA **063** **E** **0** **L**

- 1 Clamping force
- 2 Proximity switch
- 3 Mounting position of die detection proximity switch

- 1 Clamping force TYA010 TYA020 TYA040  
TYA063 TYA100 TYA160  
TYA250
- 3 Mounting position of die detection proximity switch  
**L** : Left side **R** : Right side

**2 Proximity switch**

Proximity switch symbol	0	1	2	3
Specifications	DC24V 2-Wire	DC24V 3-Wire(NPN)	AC100V 2-Wire	DC24V 3-Wire(PNP)
Model	E2E-X7D1-N	E2E-X5E1	E2E-X5Y1	E2E-X5F1
Manufacturer name	OMRON			
Insulation vinyl cable length	5m			



**2-Hydraulic connection port**  
Only 1-oil connection port for TYA010/020 due to sensor mount space.(opposite to the sensor)

● These drawings indicate : mounting position of proximity switch **L**

mm

Model	TYA010E	TYA020E	TYA040E	TYA063E	TYA100E	TYA160E	TYA250E
AA	42	47	54.5	64.5	74	84	98.5
BB	56.5	61.5	69	79	89	99	113.5
CC	15	15	15	21	26	26	32
DD	29.5	29.5	29.5	38.5	51	51	63
Min. E	49.5	54	69.5	81.5	107	132	168
Max. h	50		60	70	80	100	
Min. h	20	22.5	28	28	38	48	68

● Lever height F varies according to the dimension h.

mm

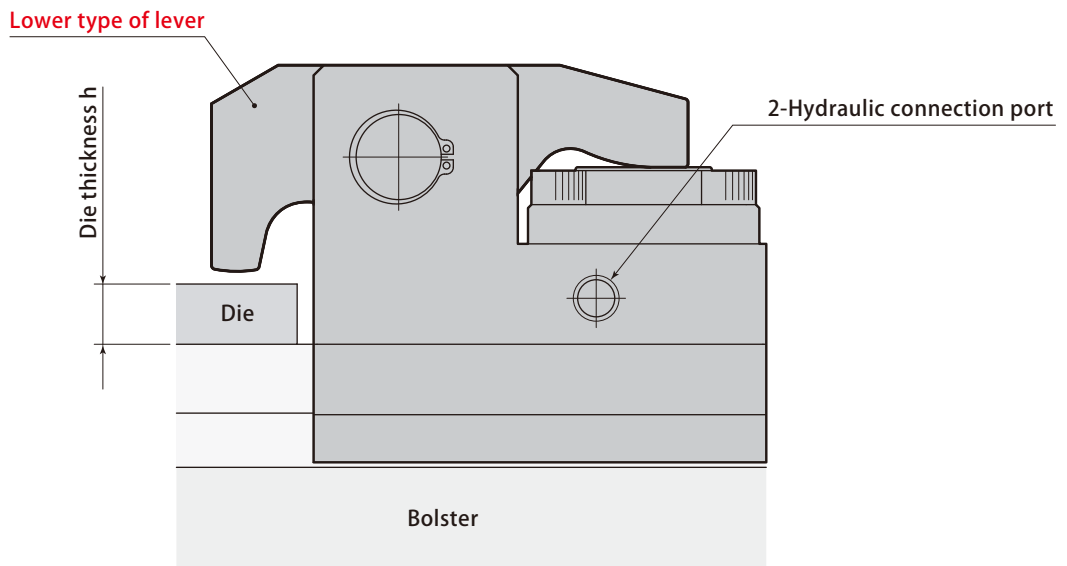
Model	TYA010E	TYA020E	TYA040E	TYA063E	TYA100E	TYA160E	TYA250E
Lever height F	16.5 (30≤h)	17.5 (32.5≤h)	27.5 (38≤h)	29.5 (48≤h)	45 (58≤h)	60 (68≤h)	76 (88≤h)
Inside the parenthesis is range of h	21.5 (25≤h<30)	22.5 (27.5≤h<32.5)	32.5 (33≤h<38)	39.5 (38≤h<48)	55 (48≤h<58)	70 (58≤h<68)	86 (78≤h<88)
	26.5 (20≤h<25)	27.5 (22.5≤h<27.5)	37.5 (28≤h<33)	49.5 (28≤h<38)	65 (38≤h<48)	80 (48≤h<58)	96 (68≤h<78)

**T** Low distance clamp type It is applied in case the die thickness is thinner than the standard.

Model designation

TYA 063 - T

- Clamping force
- TYA010 TYA020 TYA040 TYA063
- TYA100 TYA160 TYA250



● In case the die thickness h is less than value of the below table, specify the low distance clamp type.

Model	TYA010-T	TYA020-T	TYA040-T	TYA063-T	TYA100-T	TYA160-T	TYA250-T
Die thickness h	h < 15	h < 22.5	h < 28	h < 28	h < 38	h < 48	h < 68

● Refer to another document for the applicable h dimension for TYA□ET, YA□-FT, TYA□-JT.

**F Bolt type**

It is applied in case of clamping without T-slot.

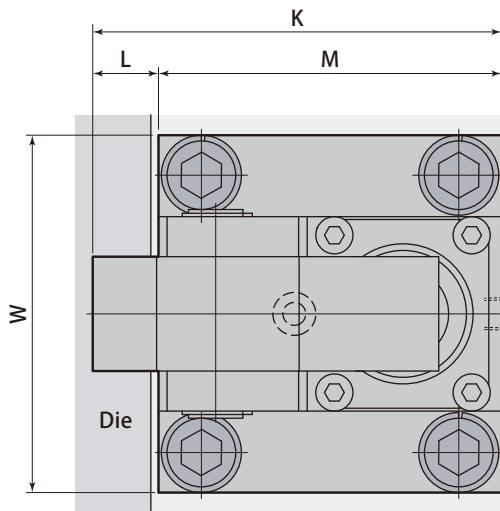
Model designation

**TYA 063 - F**

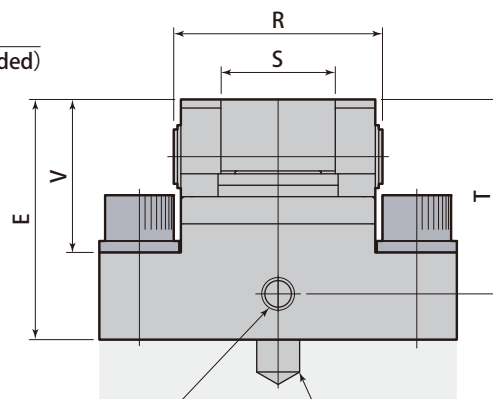
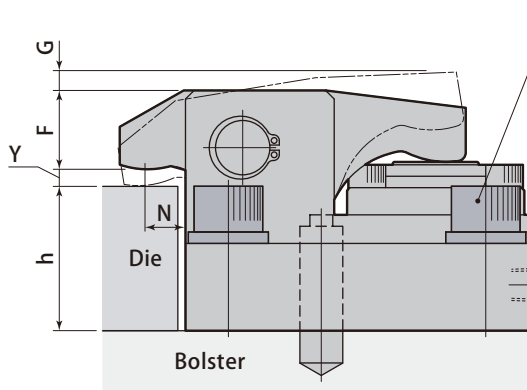
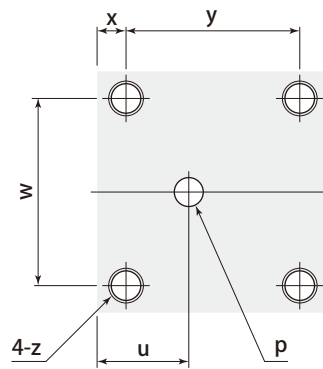
• Clamping force

- TYA010 TYA020 TYA040 TYA063
- TYA100 TYA160 TYA250

TYA020-F TYA040-F TYA063-F TYA100-F TYA160-F TYA250-F



Mounting details

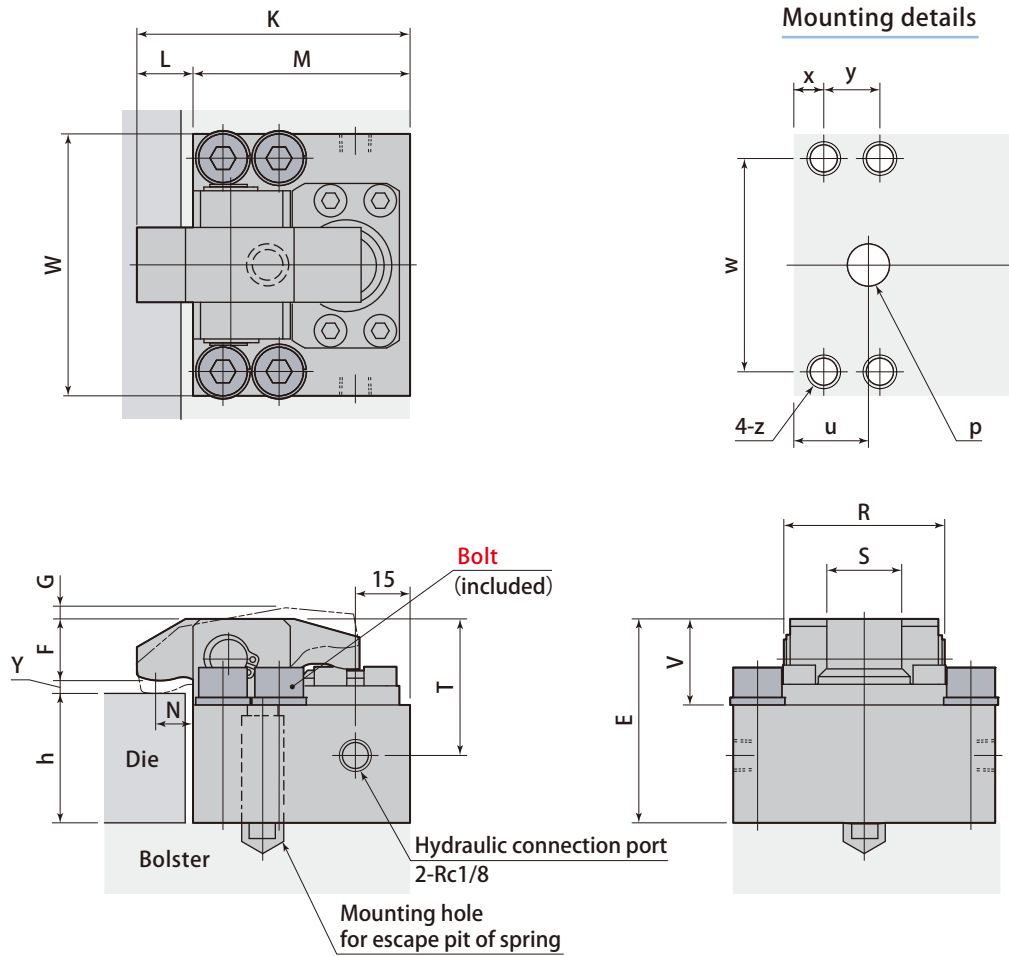


Hydraulic connection port  
Rc1/4

Mounting hole  
for escape pit of spring



TYA010-F



Pascal clamp TYA  
Special type

Model	TYA010-F	TYA020-F	TYA040-F	TYA063-F	TYA100-F	TYA160-F	TYA250-F
K	73	101	143	163	195	230	270
L	15	18	23	30	30	30	30
M	58	83	120	133	165	200	240
Clamping point N	10	12.5	16	20	20	20	20
R	46.4	58	73	93	104	125	155
S	20	28	40	50	55	60	72
T	36.5	54	68	79	97	120	156
Max. G	6	10	10	10	11	12	13
Min. E	48.5	66	80	91	115	142	177
V	23	31	53.5	52.5	71	89	113
W	70	98	125	148	180	214	260
Y	3	4	4	4	4	4	4
Max. h		50		60	70	80	100
Min. h	19	34.5	38.5	37.5	46	58	77

mm

Model	TYA010-F	TYA020-F	TYA040-F	TYA063-F	TYA100-F	TYA160-F	TYA250-F
x	8	15	15	15	20	25	27.5
y	15	53	90	40	50	60	55
u	19.5	30.5	47.5	53	65.7	74.5	90.5
w	57	77	97	120	142	168	205
z	M8 depth 20	M12 depth 24	M16 depth 30	M16 depth 30	M20 depth 40	M24 depth 48	M30 depth 56
p	ø11 depth 59.5-E	ø14 depth 79.5-E	ø18 depth 102-E	ø22 depth 117-E	ø26 depth 138-E	ø30 depth 166-E	ø30 depth 197-E

mm

● Lever height F varies according to the dimension h.

Model	TYA010-F	TYA020-F	TYA040-F	TYA063-F	TYA100-F	TYA160-F	TYA250-F
Lever height F	16.5 (29 ≤ h)	17.5 (44.5 ≤ h)	27.5 (48.5 ≤ h)	29.5 (57.5 ≤ h)	45 (66 ≤ h)	60 (78 ≤ h)	76 (97 ≤ h)
Inside the parenthesis is range of h	21.5 (24 ≤ h < 29)	22.5 (39.5 ≤ h < 44.5)	32.5 (43.5 ≤ h < 48.5)	39.5 (47.5 ≤ h < 57.5)	55 (56 ≤ h < 66)	70 (68 ≤ h < 78)	86 (87 ≤ h < 97)
	26.5 (19 ≤ h < 24)	27.5 (34.5 ≤ h < 39.5)	37.5 (38.5 ≤ h < 43.5)	49.5 (37.5 ≤ h < 47.5)	65 (46 ≤ h < 56)	80 (58 ≤ h < 68)	96 (77 ≤ h < 87)

mm

**W** **Wide lever type** It is applied in case of clamping the die with U-cut.

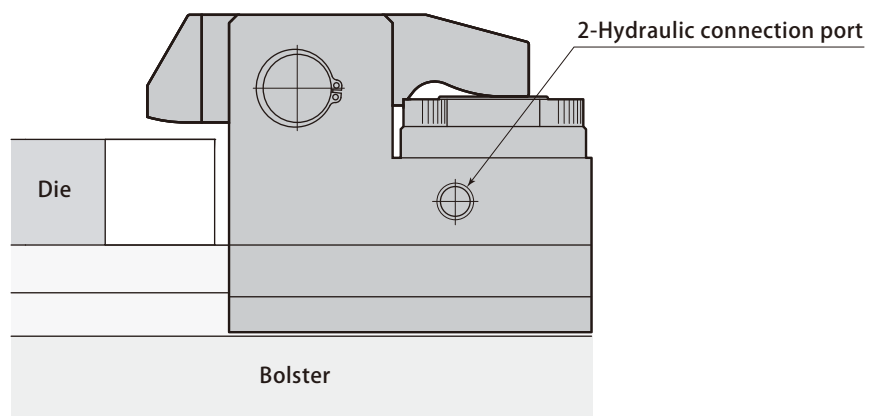
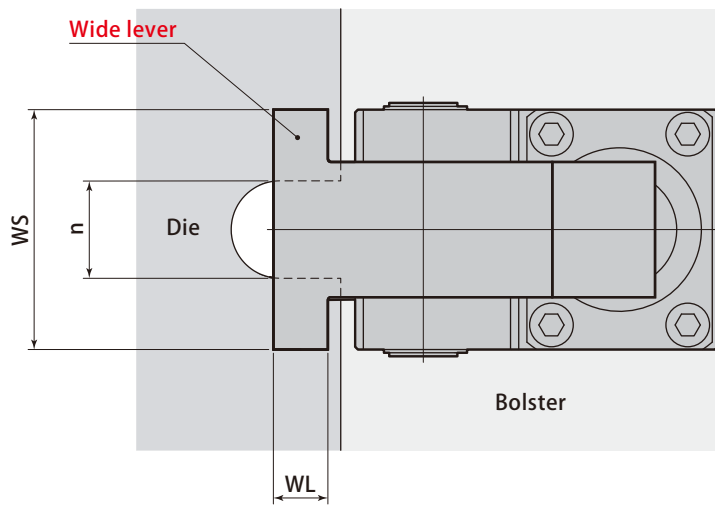
Model designation

TYA **063** - **W**

• Clamping force

- TYA010 TYA020 TYA040 TYA063
- TYA100 TYA160 TYA250

Pascal clamp TYA  
Special type



Model	TYA010-W	TYA020-W	TYA040-W	TYA063-W	TYA100-W	TYA160-W	TYA250-W
WS	43	62	72	88	88	100	110
WL	10	13	15	20	20	20	20
Max. n	22	32	32	36	32	40	40

mm

**J** Rear piping type

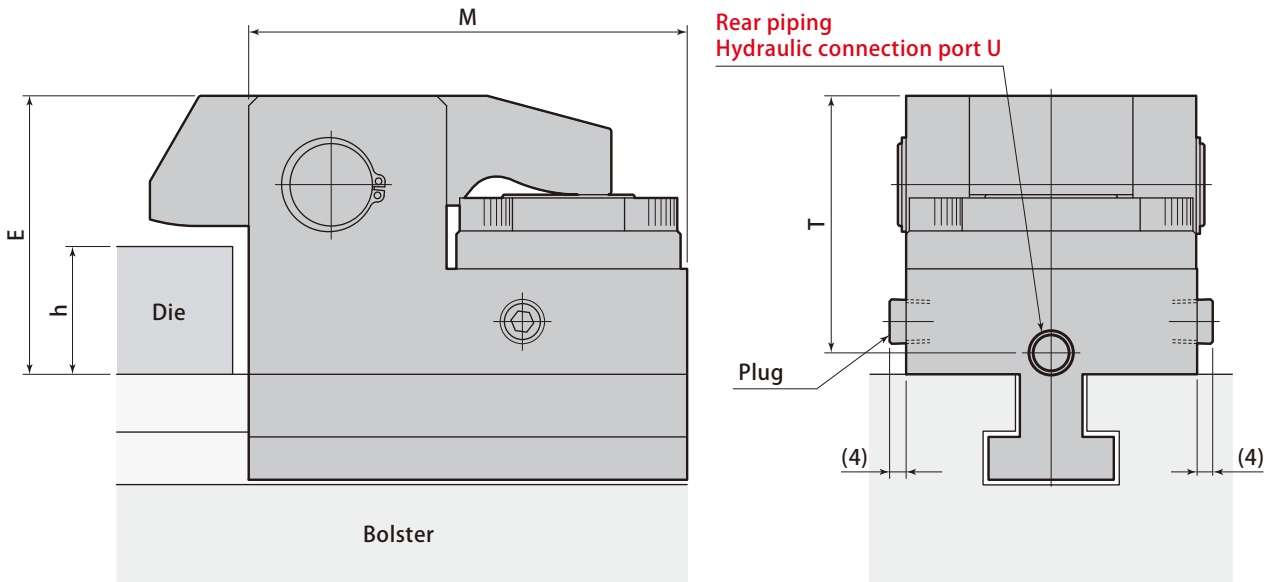
It is applied in case there are some interferences at clamp side and the side piping connection(standard specification) is not available.

Model designation

TYA **063** - **J**

• Clamping force

- TYA010 TYA020 TYA040 TYA063
- TYA100 TYA160 TYA250



Model	TYA010-J	TYA020-J	TYA040-J	TYA063-J	TYA100-J	TYA160-J	TYA250-J
M	63	83	120	133	165	200	240
T	40.5	54	68	79	97	120	156
U	Rc1/8	Rc1/4	Rc1/4	Rc1/4	Rc1/4	Rc1/4	Rc1/4
Min. E	50	65	79	90	107	132	168
Max.h	50			60	70	80	100
Min. h	20.5	33.5	37.5	36.5	38	48	68

● Lever height F varies according to the dimension h.

Model	TYA010-J	TYA020-J	TYA040-J	TYA063-J	TYA100-J	TYA160-J	TYA250-J
Lever height F	16.5 (30.5 ≤ h)	17.5 (43.5 ≤ h)	27.5 (47.5 ≤ h)	29.5 (56.5 ≤ h)	45 (58 ≤ h)	60 (68 ≤ h)	76 (88 ≤ h)
Inside the parenthesis is range of h	21.5 (25.5 ≤ h < 30.5)	22.5 (38.5 ≤ h < 43.5)	32.5 (42.5 ≤ h < 47.5)	39.5 (46.5 ≤ h < 56.5)	55 (48 ≤ h < 58)	70 (58 ≤ h < 68)	86 (78 ≤ h < 88)
	26.5 (20.5 ≤ h < 25.5)	27.5 (33.5 ≤ h < 38.5)	37.5 (37.5 ≤ h < 42.5)	49.5 (36.5 ≤ h < 46.5)	65 (38 ≤ h < 48)	80 (48 ≤ h < 58)	96 (68 ≤ h < 78)

**L** Lock type

It can fix the clamp installed on the position out of reach, such as the rear side.

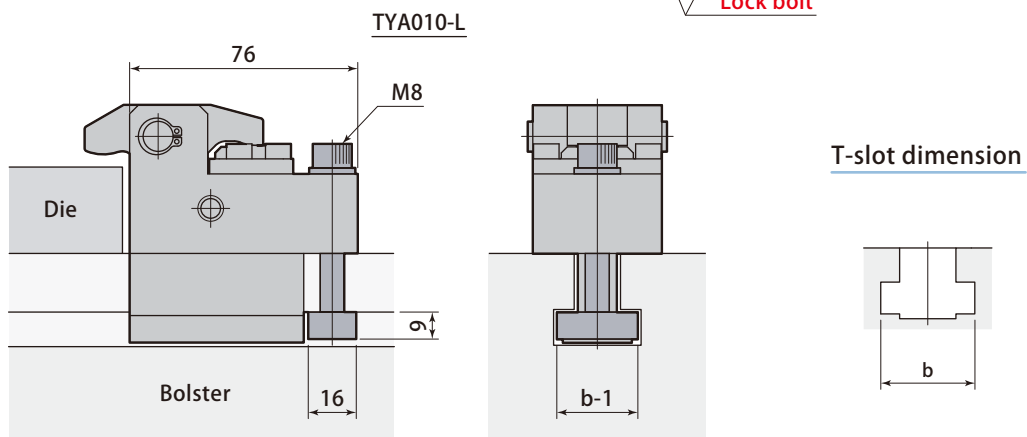
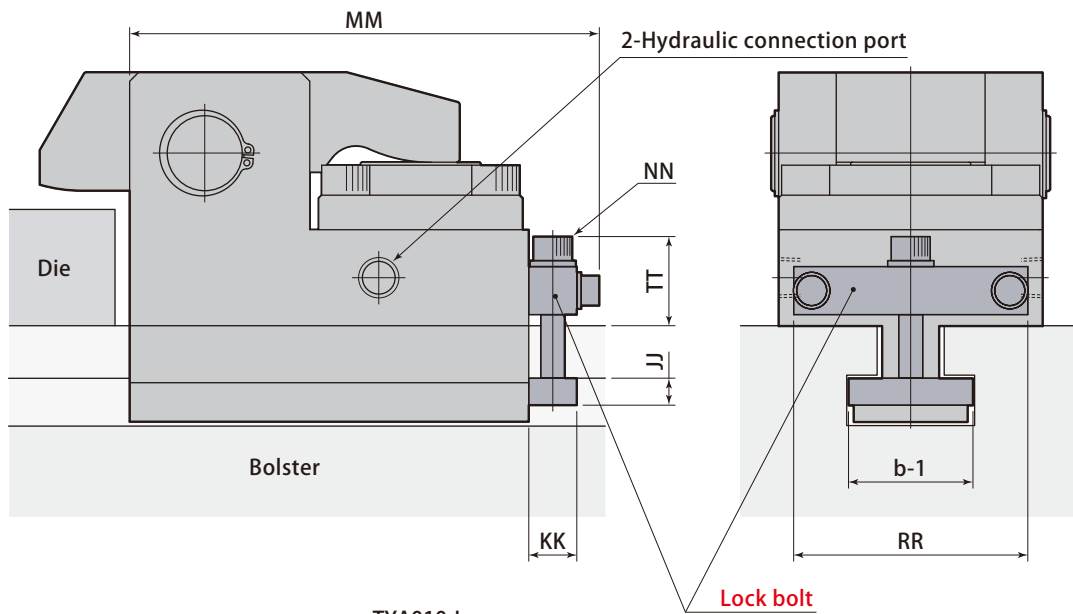
Model designation

TYA **063** - **L**

• Clamping force

- TYA010 TYA020 TYA040 TYA063
- TYA100 TYA160 TYA250

TYA020-L TYA040-L TYA063-L TYA100-L TYA160-L TYA250-L



Model	TYA020-L	TYA040-L	TYA063-L	TYA100-L	TYA160-L	TYA250-L
MM	106.5	143.5	156.5	188.5	223.5	280
NN	M8	M8	M8	M8	M8	M16
KK	16	16	16	16	16	25
JJ	9	9	9	9	9	16
RR	53	64	78	88	108	100
TT	29	29	29	29	29	52

mm

**U With die detection and backward end detection proximity switch**

It prevents misclamping and the damage due to retract back misplace at die change operation.

Model designation

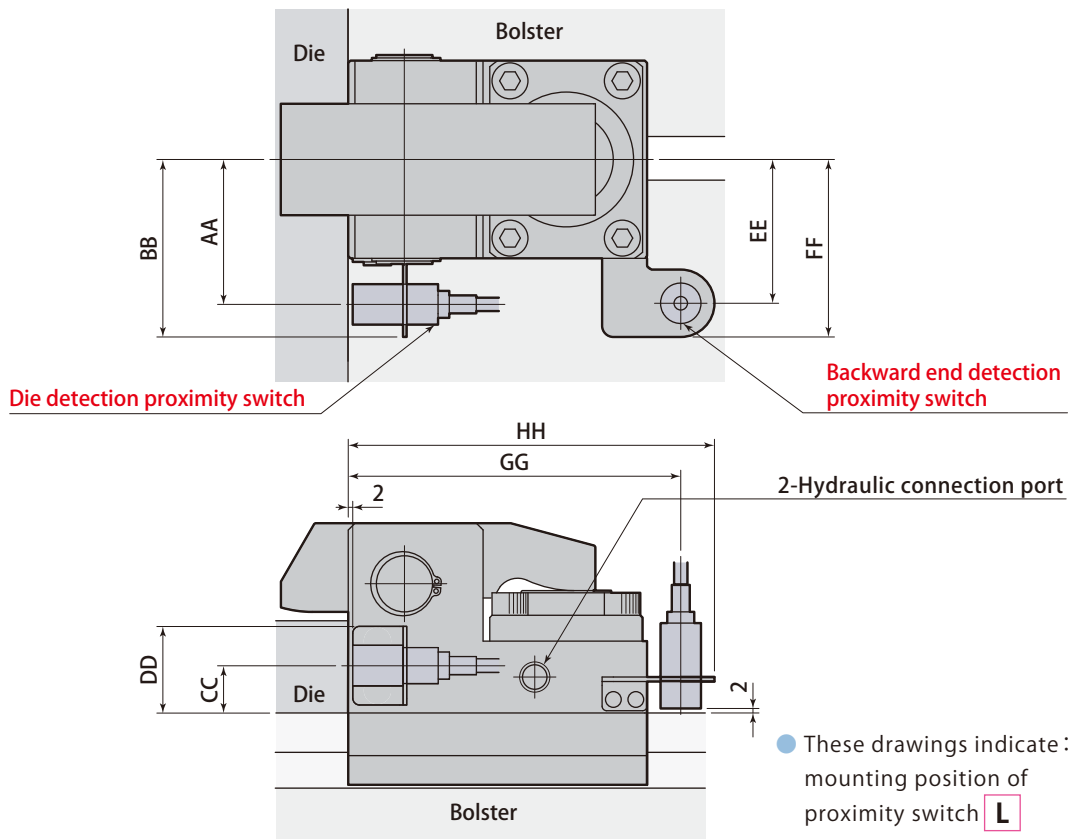
TYA **063** **U** **0** **L** **R**

- 1 Clamping force
- 2 Proximity switch
- 3 Mounting position of die detection proximity switch
- 4 Mounting position of backward end detection proximity switch

- 1 Clamping force  
TYA040 TYA063 TYA100  
TYA160 TYA250
- 3 Mounting position of die detection proximity switch  
**L** : Left side **R** : Right side
- 4 Mounting position of backward end detection proximity switch  
**L** : Left side **R** : Right side

2 Proximity switch

Proximity switch symbol		0(Std.)	1	2	3
Specifications		DC24V 2 Wire	DC24V 3 Wire(NPN)	AC100V 2 Wire	DC24V 3 Wire (PNP)
Model	Die detection	E2E-X7D1-N	E2E-X5E1	E2E-X5Y1	E2E-X5F1
	Backward end detection	E2E-X7D2-N	E2E-X5E2	E2E-X5Y2	E2E-X5F2
Manufacturer name		OMRON			
Insulation vinyl cable length		5m			



Model	TYA040U	TYA063U	TYA100U	TYA160U	TYA250U
AA	54.5	64.5	74	84	98.5
BB	69	79	89	99	113.5
CC	15	21	26	26	32
DD	29.5	38.5	51	51	63
EE	54	64	69	79	93.5
FF	69	79	84	94	108.5
GG	135	148	180	215	255
HH	150	163	195	230	270

mm

**C** T-slot type for lateral direction

It is applied in case the T-slot is parallel against the die.

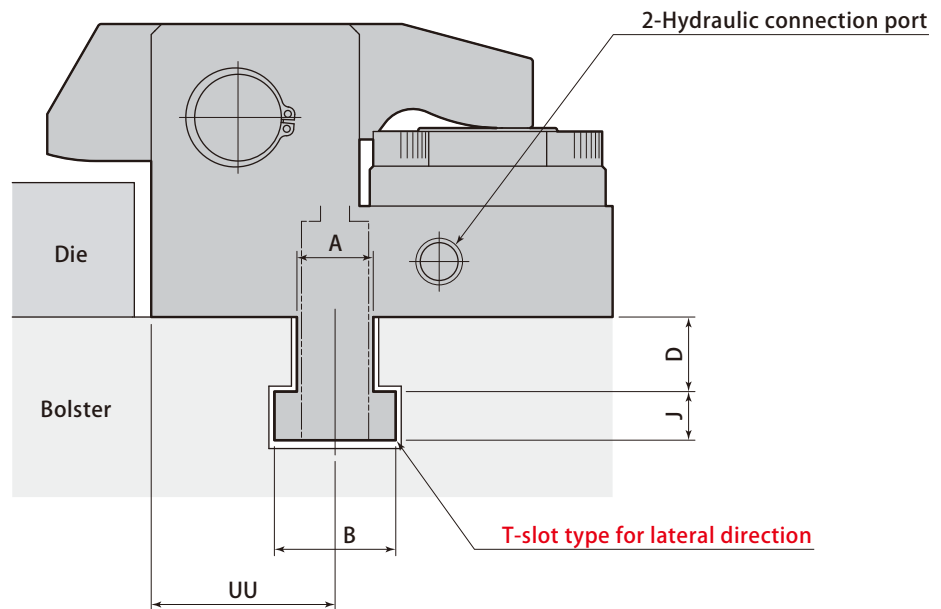
Model designation

TYA 063 - C

• Clamping force

TYA010 TYA020 TYA040 TYA063

Pascal clamp TYA  
Special type



- T-leg dimensions A, B, D, J are determined based on T-slot dimensions.
- The dimension UU is unchangeable due to the existence of spring.

Model	TYA010-C	TYA020-C	TYA040-C	TYA063-C
UU	19.5	30.3	47.5	53.0

mm



For TYA temporary hanging

**Upper and lower type of clamp hook**

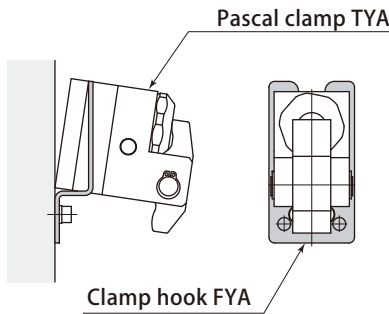
Model designation

**FYA 01 - 18**

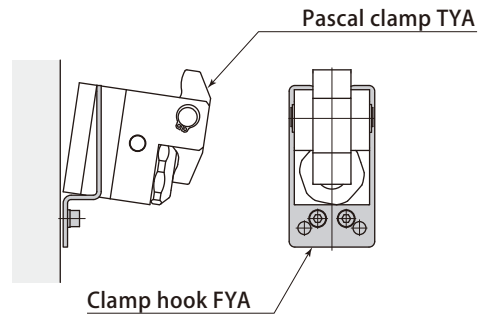
- 1 Hook size
- 2 W dimension (mm)

- 1 Hook size  
FYA01 FYA02 FYA03 FYA04
- 2 W dimension (mm)  
Refer to the below table.

**Installation example of the upper type of clamp**

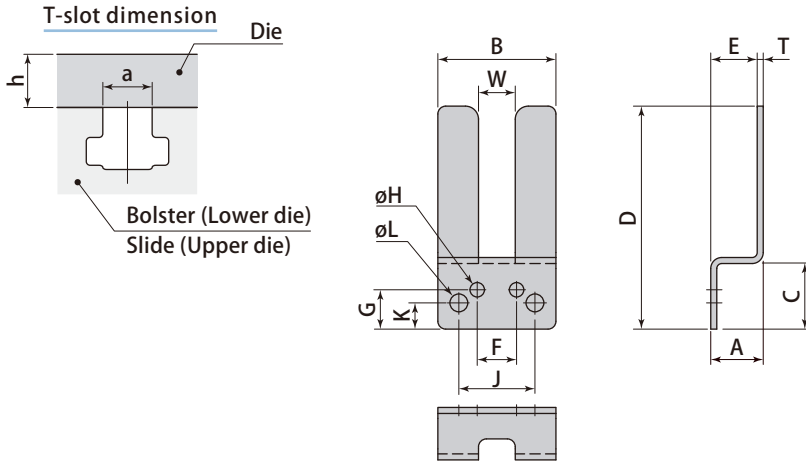


**Installation example of the lower type of clamp**



- The shape of the upper and lower type of hook is the same.
- Do not operate the machine with clamp hung on the clamp hook.
- Contact Pascal when the holder is used for model TYA□-H.

- The mount screw is not furnished. If necessary, order the mount screw type sold separately.



**øH Mount screw**

Hook type	Reference specification	Mount screw type (option)
FYA01	2-M5 length 12	FXA-A05
FYA02	2-M6 length 14	FXA-A06
FYA03	2-M8 length 16	FXA-A08
FYA04	2-M10 length 20	FXA-A10

**øL Mount screw**

Hook type	Reference specification	Mount screw type (option)
FYA01	2-M6 length 14	FXA-A06
FYA02	2-M8 length 16	FXA-A08
FYA03	2-M10 length 20	FXA-A10
FYA04	2-M12 length 20	FXA-A12

Clamp model	TYA010				TYA020					TYA040				TYA063			TYA100		
	Less than 14	15~18	19~22		Less than 14	15~18	19~22	23~28	29~34	Less than 18	19~22	23~28	29~34	Less than 22	23~28	29~34	Less than 28	29~34	35~40
Clamp hook type	FYA01 -14	FYA01 -18	FYA01 -22		FYA02 -14	FYA02 -18	FYA02 -22	FYA02 -28	FYA02 -34	FYA02 -18	FYA02 -22	FYA02 -28	FYA02 -34	FYA03 -22	FYA03 -28	FYA03 -34	FYA04 -28	FYA04 -34	FYA04 -40
W mm	14	18	22		14	18	22	28	34	18	22	28	34	22	28	34	28	34	40
A mm	20				27					27				29			34		
B mm	45				75					75				75			100		
C mm	25				25					25				28.7			35.5		
D mm	85				105					105				110			170		
E mm	17.7				23.8					23.8				24.5			29.5		
T mm	2.3				3.2					3.2				4.5			4.5		
F mm	15				26					26				22			27		
G mm	15				10					10				15			17		
øH mm	5.5				6.8					6.8				9			11		
J mm	29				49					49				49			60		
K mm	10				10					10				15			17		
øL mm	6.8				9					9				11			14		
Max. h mm	100				100					80				80			70		
Weight kg	0.1				0.2					0.2				0.3			0.6		

Pascal clamp TYA  
Clamp hook







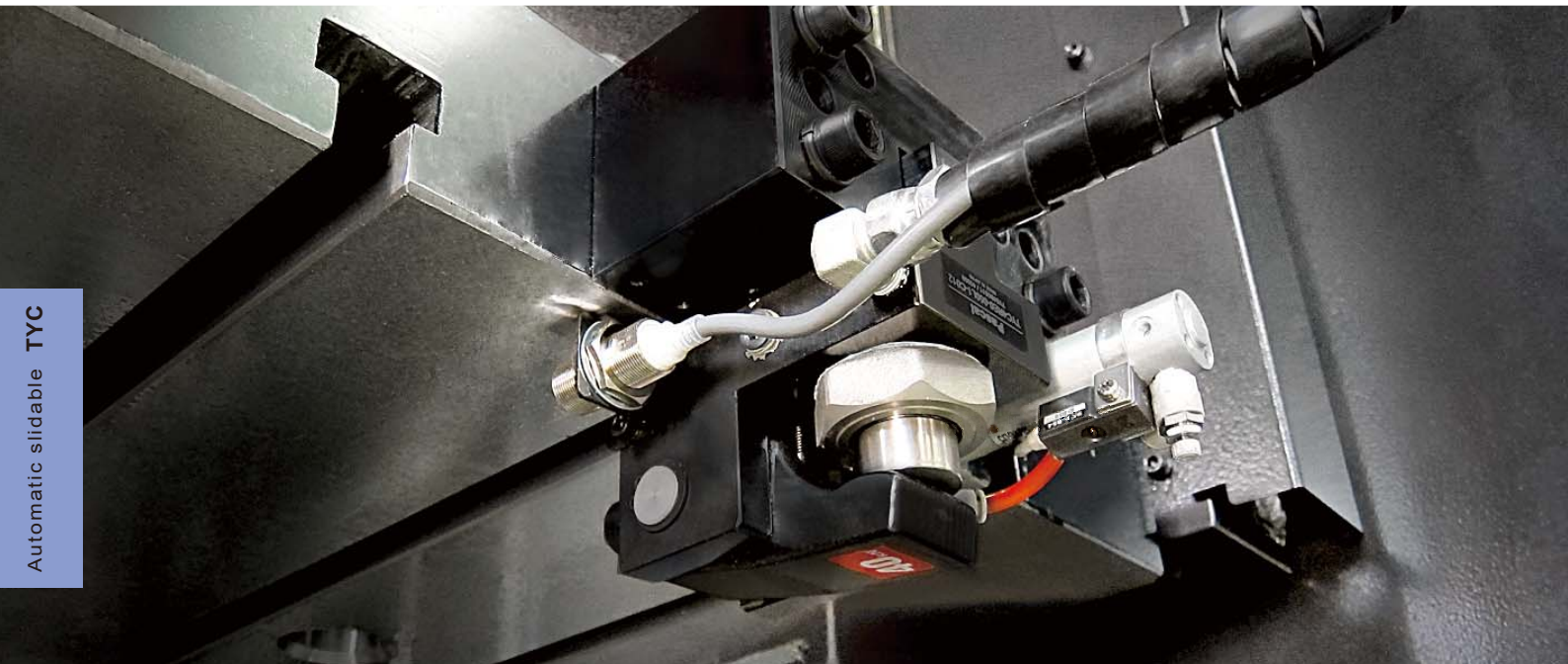
# Pascal clamp model TYC

Pascal clamp automatic slidable type

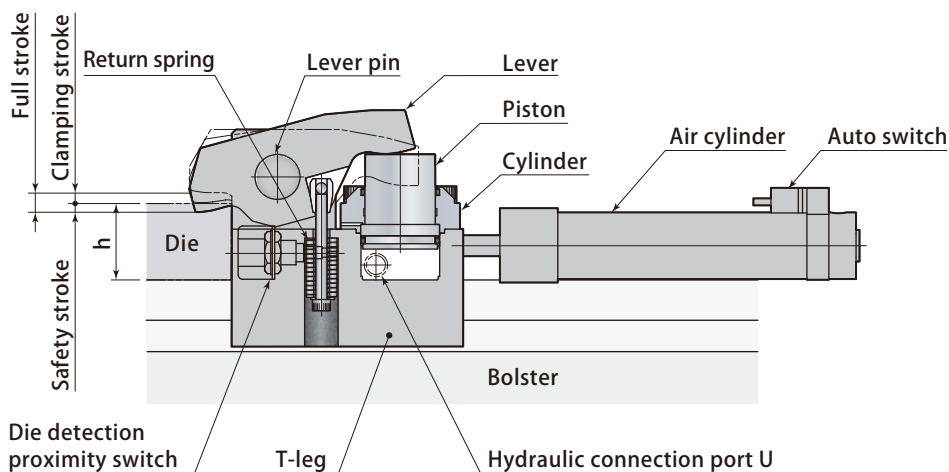
Automatic slidable TYC



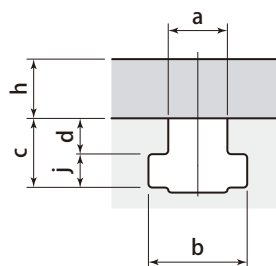
Automatic slidable clamp with air cylinder. It enables to shorten the die exchange time.



Automatic slidable TYC



T-slot dimension & die thickness



**Specifications**

Model		TYC020	TYC040	TYC063	TYC100	TYC160	TYC250	
Clamping force (at 24.5 MPa)	kN	19.6	39.2	61.7	98	156	245	
Proof pressure	MPa	36.7						
Full stroke	mm	7			8			
Clamping stroke	mm	4						
Safety stroke	mm	3			4			
Cylinder capacity at full stroke	cm <sup>3</sup>	6.3	13.2	22.3	37	61	93	
Operating temperature	°C	0 ~ 70 (Standard)						
Approximate weight	kg	3.5	5	10	16	26	38	
Max. a	mm	12.5	15	19	23	27	32	
Min. j	mm	9.5	11.5	15	17	20	23	
Tolerance of dimension d	mm	± 0.2						
Max. h	mm	50	50	60	70	80	100	
Min. h	mm	33.5	28	28	38	48	68	
Tolerance of dimension h	mm	± 0.3						

- Working hydraulic pressure : 24.5MPa ● Weight varies according to the dimension of clamp T-leg and die thickness as well as sliding stroke.
- Specify T-slot dimensions a, b, d, j and die thickness h. For brand new machine, machine d and h dimensions with the tolerance shown in the above table. For existing machine, specify tolerance of 0.1mm unit on d and h dimensions.
- In case dimension is over Max. h, refer to **page→109** High distance clamp type.
- In case dimension is less than Min. h, refer to **page→110** Low distance clamp type. ● Stop the press during the clamp wait.

Model designation

TYC **063** R **0** **L** - **075**

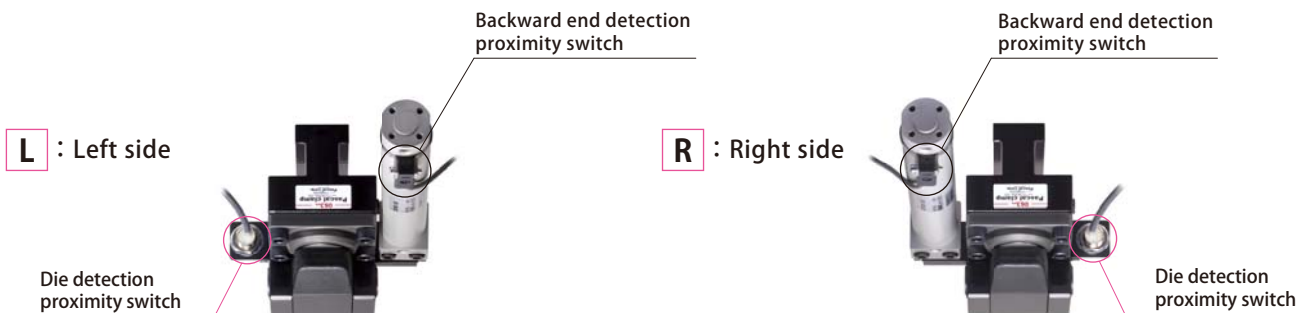
- 1 Clamping force
- 2 Proximity switch
- 3 Mounting position of die detection proximity switch
- 4 Sliding stroke (mm) \*Indicated in 3 digits

- 1 Clamping force  
 TYC020 : 19.6kN  
 TYC040 : 39.2kN  
 TYC063 : 61.7kN  
 TYC100 : 98kN  
 TYC160 : 156kN  
 TYC250 : 245kN

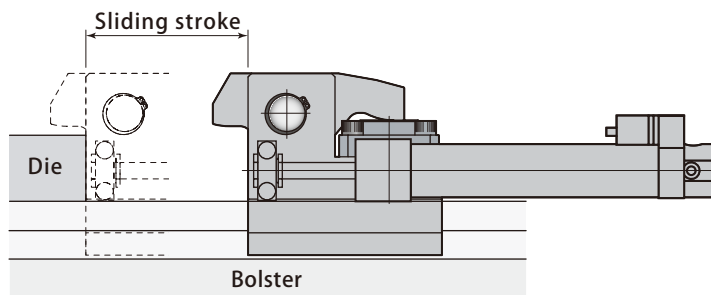
**2** Proximity switch

Proximity switch symbol	0	1	2	3
Specifications	DC24V 2Wire	DC24V 3Wire(NPN)	AC100V 2Wire	DC24V 3Wire (PNP)
Model	E2E-X7D1-N	E2E-X5E1	E2E-X5Y1	E2E-X5F1
Manufacturer name	OMRON			
Insulation vinyl cable length	5m			

**3** Mounting position of die detection proximity switch



**4** Slide stroke

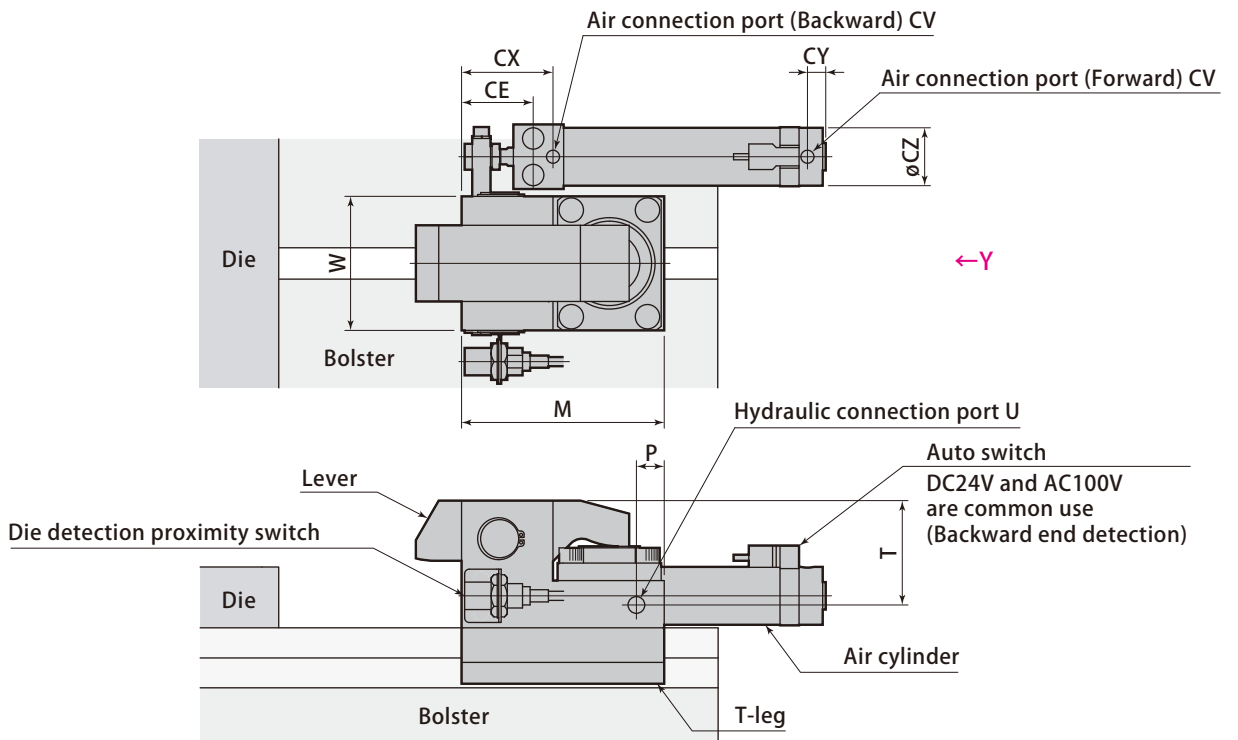


Model	TYC020R	TYC040R	TYC063R	TYC100R	TYC160R	TYC250R
Sliding stroke *	mm	25, 50, 75, 100, 125, 150	50, 75, 100, 125, 150, 200	50, 75, 100, 125, 150, 200, 250, 300		
Air cylinder driven pressure	MPa	0.39 ~ 0.54				
Slide velocity	mm/s	30 ~ 100 (to be adjusted by a flow control valve)				
Air cylinder model	CDG1RN20-□-B54LS	CDG1RN32-□-B54LS	CDG1RN40-□-B54LS	CDG1RN50-□-B54LS		
Air cylinder manufacturer	SMC					

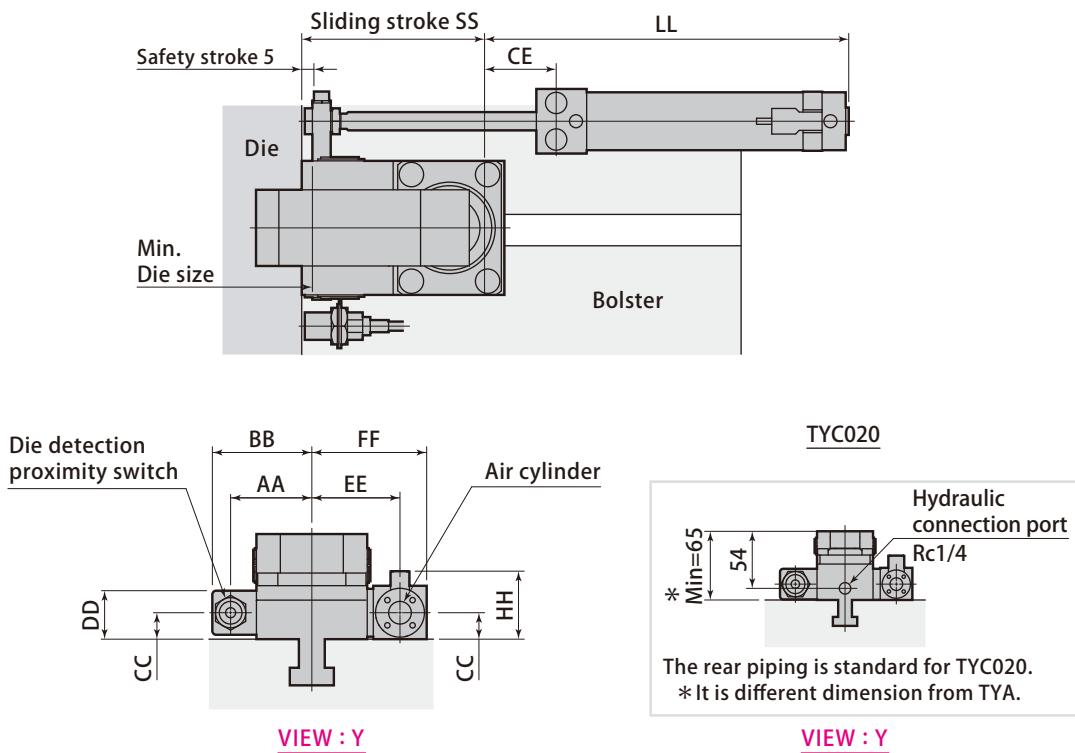
● Refer to **page →106** for the details of sliding stroke.

\* Contact Pascal for the sliding stroke which is not mentioned above.

**Unclamp**



**Clamp**



● These drawings indicate : mounting position of proximity switch **R**

External dimension

Model	TYC020	TYC040	TYC063	TYC100	TYC160	TYC250
Air connection port CV	Rc1/8	Rc1/8	Rc1/8	Rc1/8	Rc1/8	Rc1/4
CX	51.5	51.5	60	71	71	87
CY	12	12	12	12	12	14
øCZ	26	26	38	47	47	58
W	53	68	88	98	118	147
M	83	120	133	165	200	240
CE	42.5	42.5	47	57	57	71
P	—	32.5	36	62	80	90
Hydraulic connection port U	—	Rc1/4	Rc1/4	Rc1/4	Rc1/4	Rc1/4
T	—	57.5	68.5	97	120	156
BB	61.5	69	79	89	99	113.5
FF	64.6	72.1	89.5	109	119	153
AA	47	54.5	64.5	74	84	98.5
EE	48.5	56	70	81	91	116
DD	29.5	29.5	38.5	51	51	63
CC	15	15	21	26	26	32
HH	42	42	54	63	63	74
Mount screw	2-M5 length 35	2-M5 length 35	2-M8 length 45	2-M10 length 55	2-M10 length 55	2-M12 length 70
Quadrate spring washer	2-M5	2-M5	2-M8	2-M10	2-M10	2-M12
Auto switch model	D-B54L					
Insulation vinyl cable with auto switch	3m					

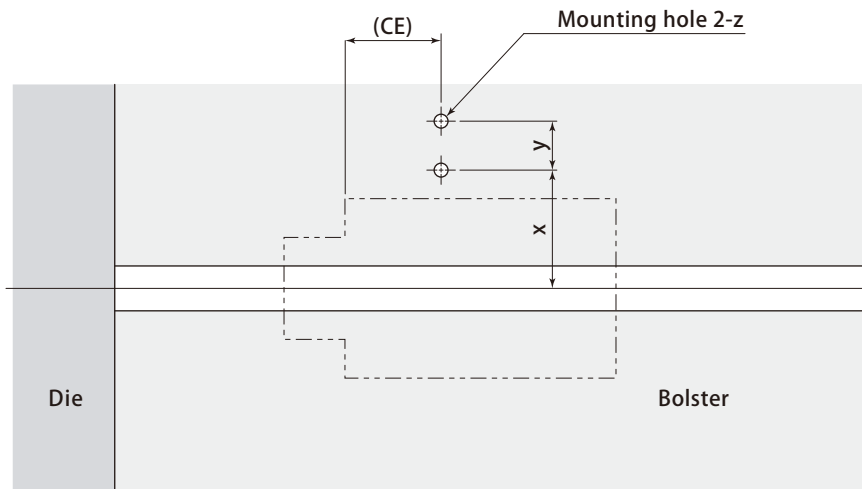
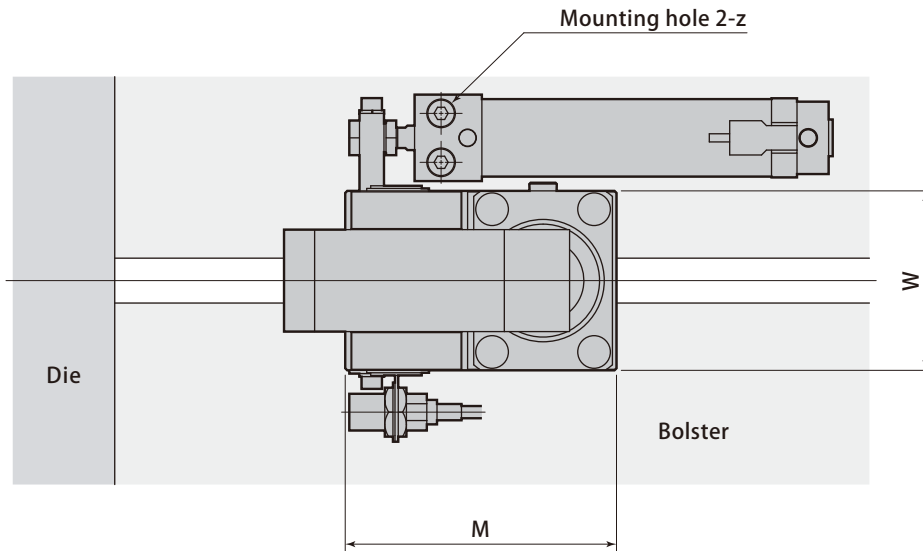
Sliding stroke  25  50  75  100  125  150  200  250  300 mm

Sliding stroke SS	TYC020	TYC040	TYC063	TYC100	TYC160	TYC250
	Overall length LL					
25	133.5	133.5	—	—	—	—
50	158.5	158.5	169	187	187	214
75	183.5	183.5	194	212	212	239
100	208.5	208.5	219	237	237	264
125	233.5	233.5	244	262	262	289
150	258.5	258.5	269	287	287	314
200	—	—	319	337	337	364
250	—	—	—	387	387	414
300	—	—	—	437	437	464

● Lever height F varies according to the dimension h.

Model	TYC020	TYC040	TYC063	TYC100	TYC160	TYC250
Lever height F	17.5 (43.5≤h)	27.5 (38≤h)	29.5 (48≤h)	45 (58≤h)	60 (68≤h)	76 (88≤h)
Inside the parenthesis is range of h	22.5 (38.5≤h<43.5)	32.5 (33≤h<38)	39.5 (38≤h<48)	55 (48≤h<58)	70 (58≤h<68)	86 (78≤h<88)
	27.5 (33.5≤h<38.5)	37.5 (28≤h<33)	49.5 (28≤h<38)	65 (38≤h<48)	80 (48≤h<58)	96 (68≤h<78)

Mounting details



● These drawings indicate : mounting position of proximity switch **R**

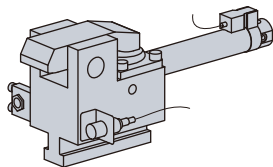
mm

Model	TYC020	TYC040	TYC063	TYC100	TYC160	TYC250
CE	42.5	42.5	47	57	57	71
M	83	120	133	165	200	240
W	53	68	88	98	118	147
x	39.5	47	58	65	75	95.5
y	18	18	24	32	32	41
z	M5 depth12	M5 depth12	M8 depth12	M10 depth16	M10 depth16	M12 depth20



**H** High distance clamp type TYC□-H

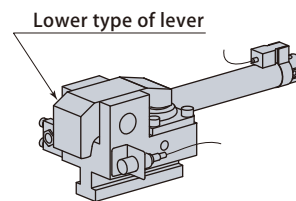
It is applied in case the die thickness is over the standard.



page → 109

**T** Low distance clamp type TYC□-T

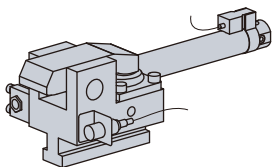
It is applied in case the die thickness is thinner than the standard.



page → 110

**V** Heat proof type TYC□-V

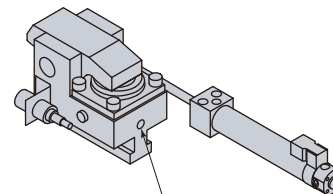
It is applied under condition that the die and its surroundings are in high temperature.



Operating temperature: 5 ~ 120°C

**J** Rear piping type TYC□-J

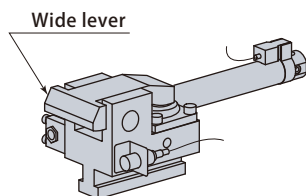
It is applied in case there are some interferences at clamp side and the side piping connection (standard specification) is not available.



page → 111

**W** Wide lever type TYC□-W

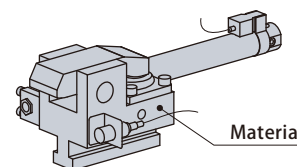
It is applied in case of clamping the die with U-cut.



page → 112

**S1 S2** Material strength TYC□-S1, TYC□-S2

It is applied in case the T-slot dimension is under the standard and the strength is insufficient.



TYC□-S1: S45C  
TYC□-S2: SCM435 Quenching and high-temperature tempering

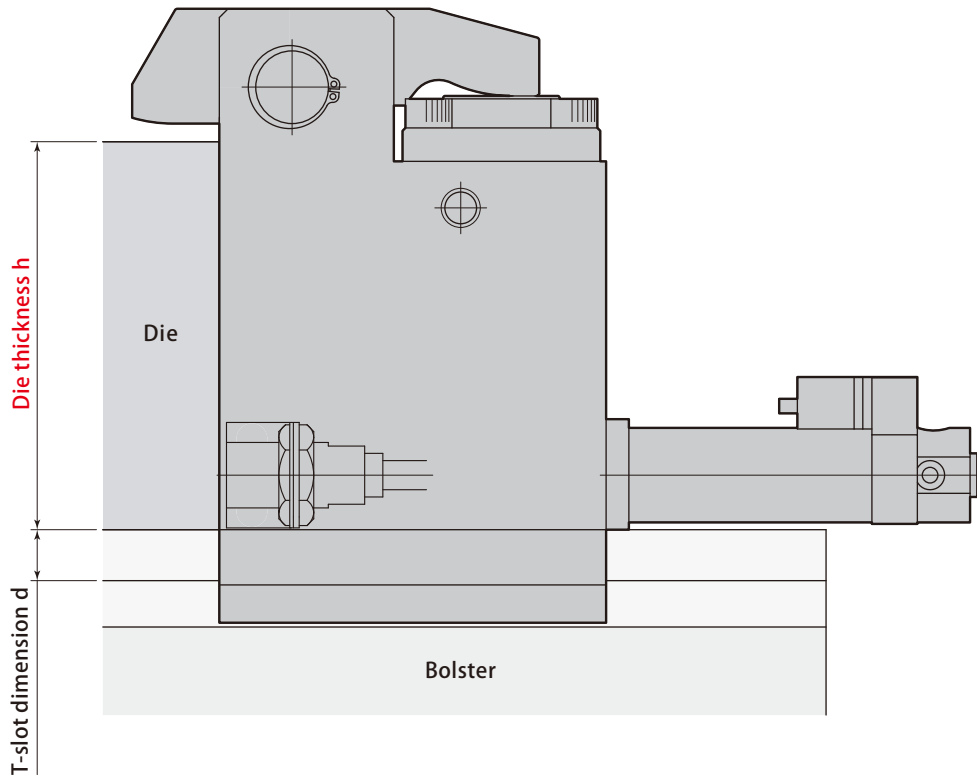
**H** High distance clamp type It is applied in case the die thickness is over the standard.

Model designation

TYC 063 R 0 L - 075 - H

- 1 Clamping force
- 2 Proximity switch
- 3 Mounting position of die detection proximity switch
- 4 Sliding stroke (mm)  
\* Indicated in 3 digits

1 2 3 4 Refer to page → 104



- In case the die thickness h is inside range of the below table, specify the high distance clamp type. In case the dimension h is over the below table, contact Pascal.

mm

Model	TYC020R-H	TYC040R-H	TYC063R-H	TYC100R-H	TYC160R-H	TYC250R-H
Die thickness h	50 < h ≤ 100	50 < h ≤ 100	60 < h ≤ 150	70 < h ≤ 140	80 < h ≤ 130	100 < h ≤ 120
T-slot dimension d	d < 30	d < 30	d < 30	d < 40	d < 40	d < 40

**T** **Low distance clamp type** It is applied in case the die thickness is thinner than the standard.

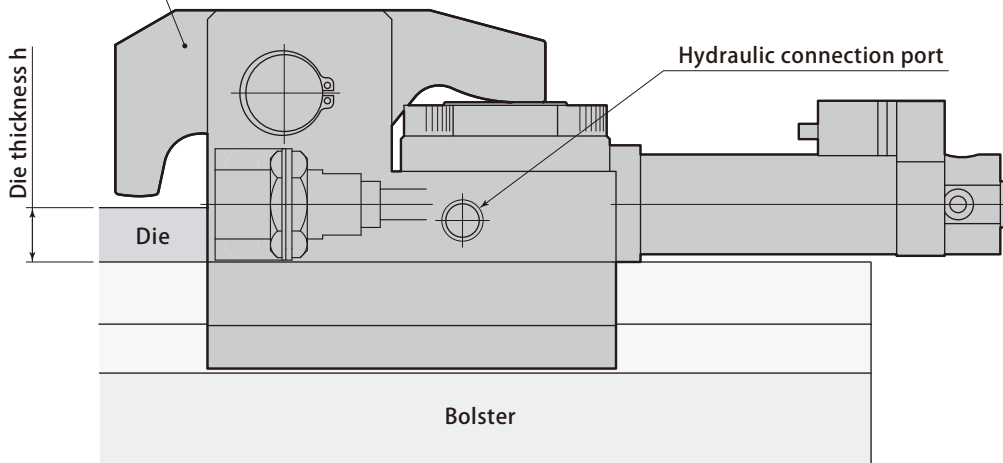
Model designation

TYC 063 R 0 L - 075 - T

- 1 Clamping force
- 2 Proximity switch
- 3 Mounting position of die detection proximity switch
- 4 Sliding stroke (mm)  
\* Indicated in 3 digits

1 2 3 4 Refer to page → 104

Lower type of lever



● In case the die thickness  $h$  is less than value of the below table, specify the Low distance clamp type.

Model	TYC020R-T	TYC040R-T	TYC063R-T	TYC100R-T	TYC160R-T	TYC250R-T
Die thickness $h$	$h < 33.5$	$h < 28$	$h < 28$	$h < 38$	$h < 48$	$h < 68$

mm

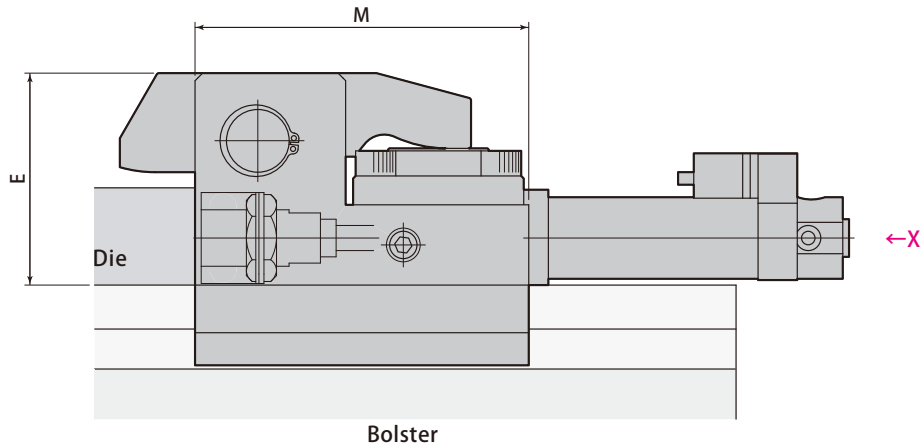
**J** **Rear piping type** It is applied in case there are some interferences at clamp side and the side piping connection (standard specification) is not available.

Model designation

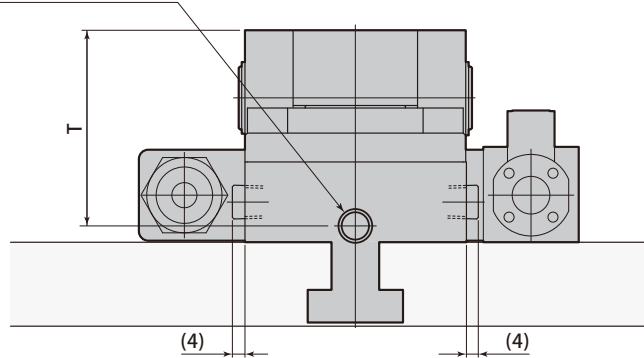
TYC 063 R 0 L - 075 - J

- 1 Clamping force ●
- 2 Proximity switch ●
- 3 Mounting position ● of die detection proximity switch
- 4 Sliding stroke (mm) ●  
\* Indicated in 3 digits

1 2 3 4 Refer to page → 104



Rear piping  
Hydraulic connection port U



VIEW : X

Model	TYC040R-J	TYC063R-J	TYC100R-J	TYC160R-J	TYC250R-J
M	120	133	165	200	240
T	68	79	97	120	156
Hydraulic connection port U	Rc1/4	Rc1/4	Rc1/4	Rc1/4	Rc1/4
Min. E	79	90	107	132	168

● Lever height F varies according to the dimension h.

Model	TYC040R-J	TYC063R-J	TYC100R-J	TYC160R-J	TYC250R-J
Lever height F	47.5 (38 ≤ h)	29.5 (56.5 ≤ h)	45 (58 ≤ h)	60 (68 ≤ h)	76 (88 ≤ h)
Inside the parenthesis is range of h	42.5 (33 ≤ h < 47.5)	39.5 (46.5 ≤ h < 29.5)	55 (48 ≤ h < 58)	70 (58 ≤ h < 68)	86 (78 ≤ h < 88)
	37.5 (28 ≤ h < 42.5)	49.5 (36.5 ≤ h < 46.5)	65 (38 ≤ h < 48)	80 (48 ≤ h < 58)	96 (68 ≤ h < 78)

Automatic slidable TYC  
Special type

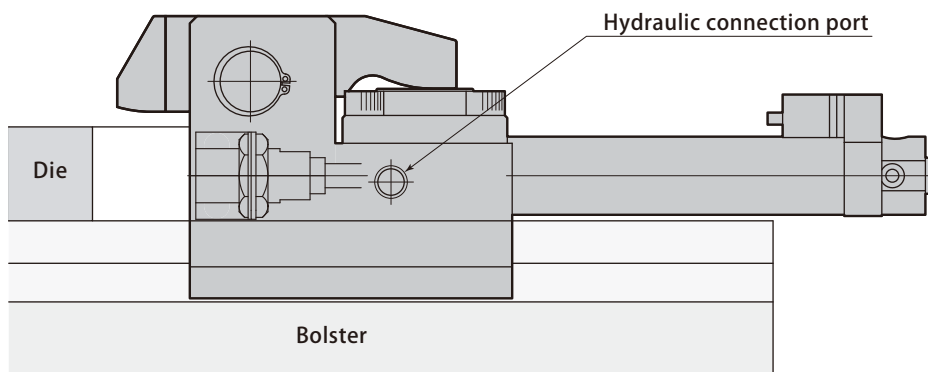
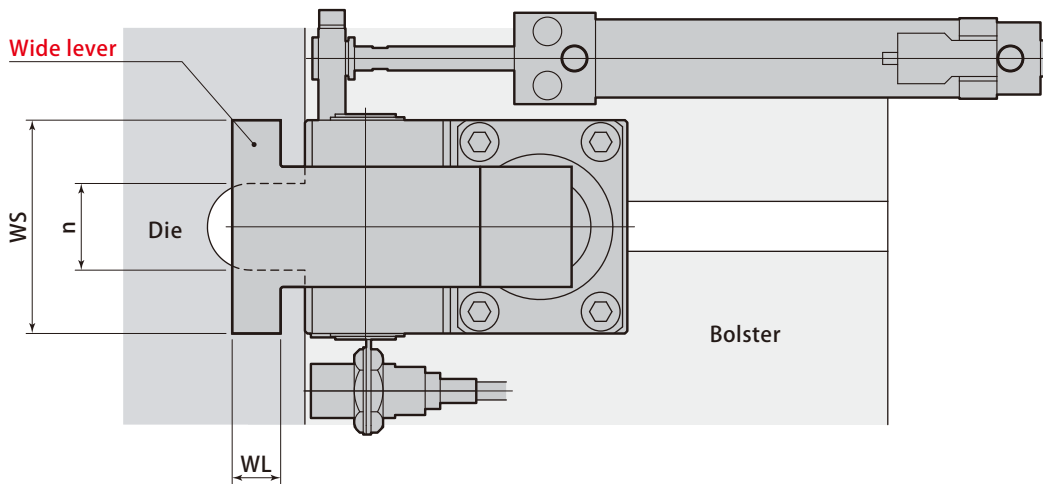
**W** **Wide lever type** It is applied in case of clamping the die with U-cut.

Model designation

TYC 063 R 0 L - 075 - W

- 1 Clamping force
- 2 Proximity switch
- 3 Mounting position of die detection proximity switch
- 4 Sliding stroke (mm)  
\* Indicated in 3 digits

1 2 3 4 Refer to page → 104



mm

Model	TYC020R-W	TYC040R-W	TYC063R-W	TYC100R-W	TYC160R-W	TYC250R-W
WS	62	72	88	88	100	110
WL	13	15	20	20	20	20
Max. n	32	32	36	32	40	40